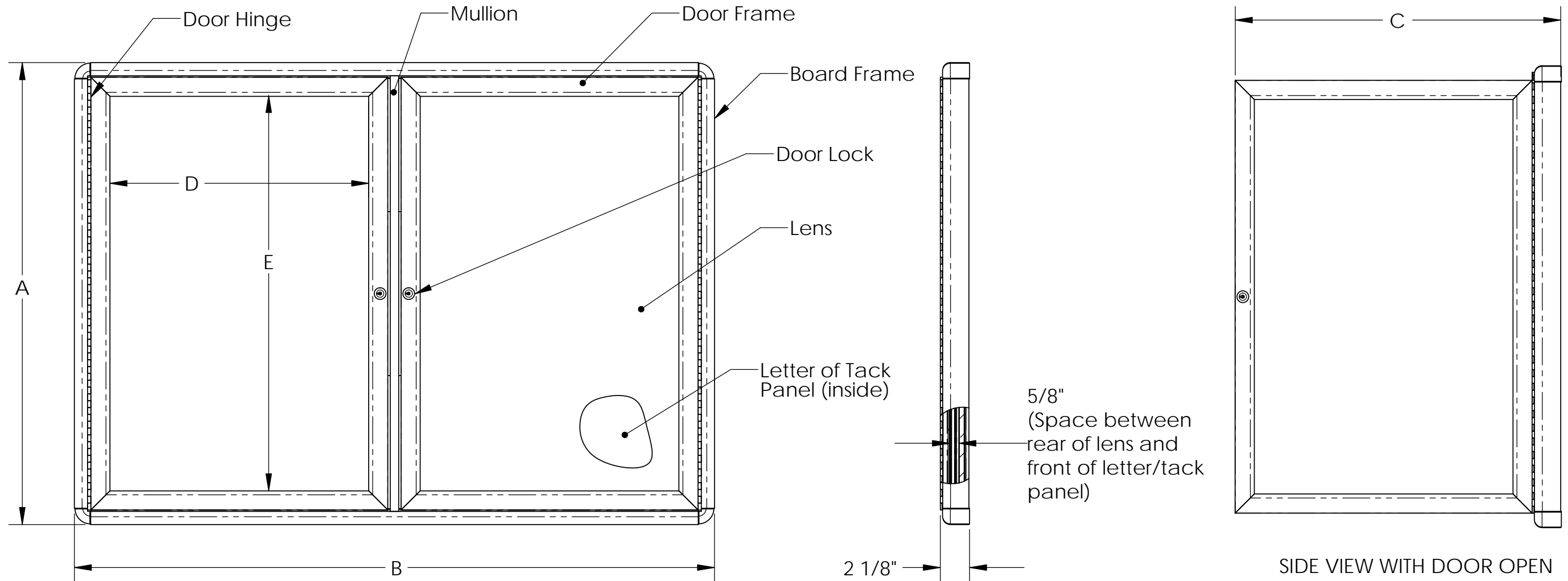


Ovation Series

Enclosed Boards - 2 Door



Materials:

- Board frame, door frames, and door hinges - aluminum.
- Lens - clear acrylic sheet.
- Letter panel - flannel stuffed 1/2" thick grooved medium density fiberboard (MDF).
- Tack panel - fabric covered 3/8" thick fiber board.
- Board corners - die cast zinc
- Lock, hangers, and fasteners - steel

Features:

- Full length door hinges.
- Rounded board frame corners
- Cam style door locks with two keys.
- Four installed hangers
- One set of white plastic 3/4" gothic letters (included with boards with letter panels)

Options:

- Available with either a letter panel or a tack panel.
- Board and door frame finishes - powder coated black, gray, medium cherry, or natural maple.
- Letter panel colors - black or burgundy
- Tack panel colors - black, gray, or merlot (black and gray frames)
beige, black, blue, gray, or merlot (cherry and maple frames)
- Board corner colors - black (black, cherry or maple frames)
gray (gray frames only)
chrome (cherry or maple frames)

MODEL#	A	B	C	D	E
OVG2-BBG thru OVNMC2-F95	33-3/4"	46-7/8"	23-7/8"	19"	28-7/8"
OVK4-BBG thru OVNMC4-F95	36-1/16"	60-1/16"	30-7/16"	21-1/4"	31-1/8"

Notes:

Optional matching non-illuminated separate headers are also available.