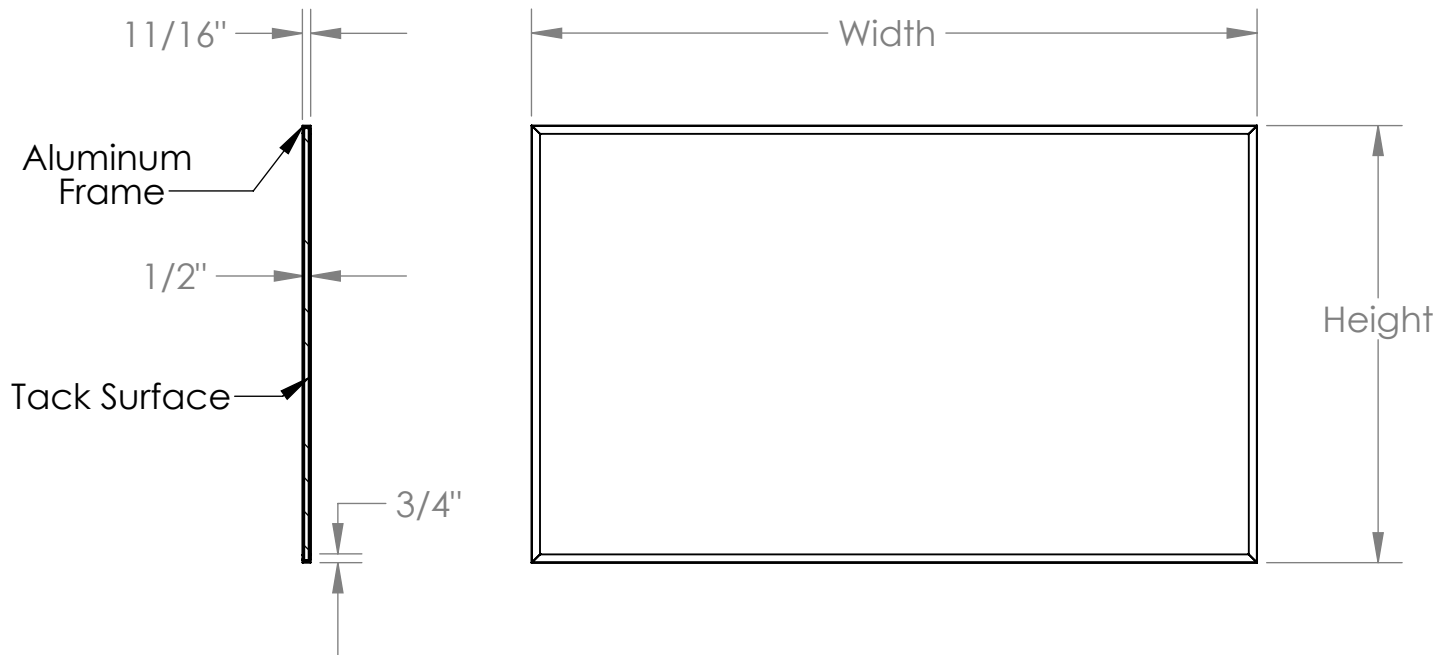


# 059 Series

## Aluminum Framed Premium Bulletin Boards



### Materials:

- Framing: Satin anodized 6063-T5 aluminum extrusion.
- Tack surface:  $\frac{1}{8}$ " fine grain natural cork laminated to  $\frac{3}{8}$ " thick fiberboard, with a mylar film backing

### Features:

- Board hangers are included
- Aluminum frame is permanently attached to the tack surface
- Available in the 5 sizes: 3'H x 5'W, 4'H x 4'W, 4'H x 5'W, 4'H x 6'W, 4'H x 8'W
- Board is guaranteed for 10 years

### Notes:

- For indoor use only