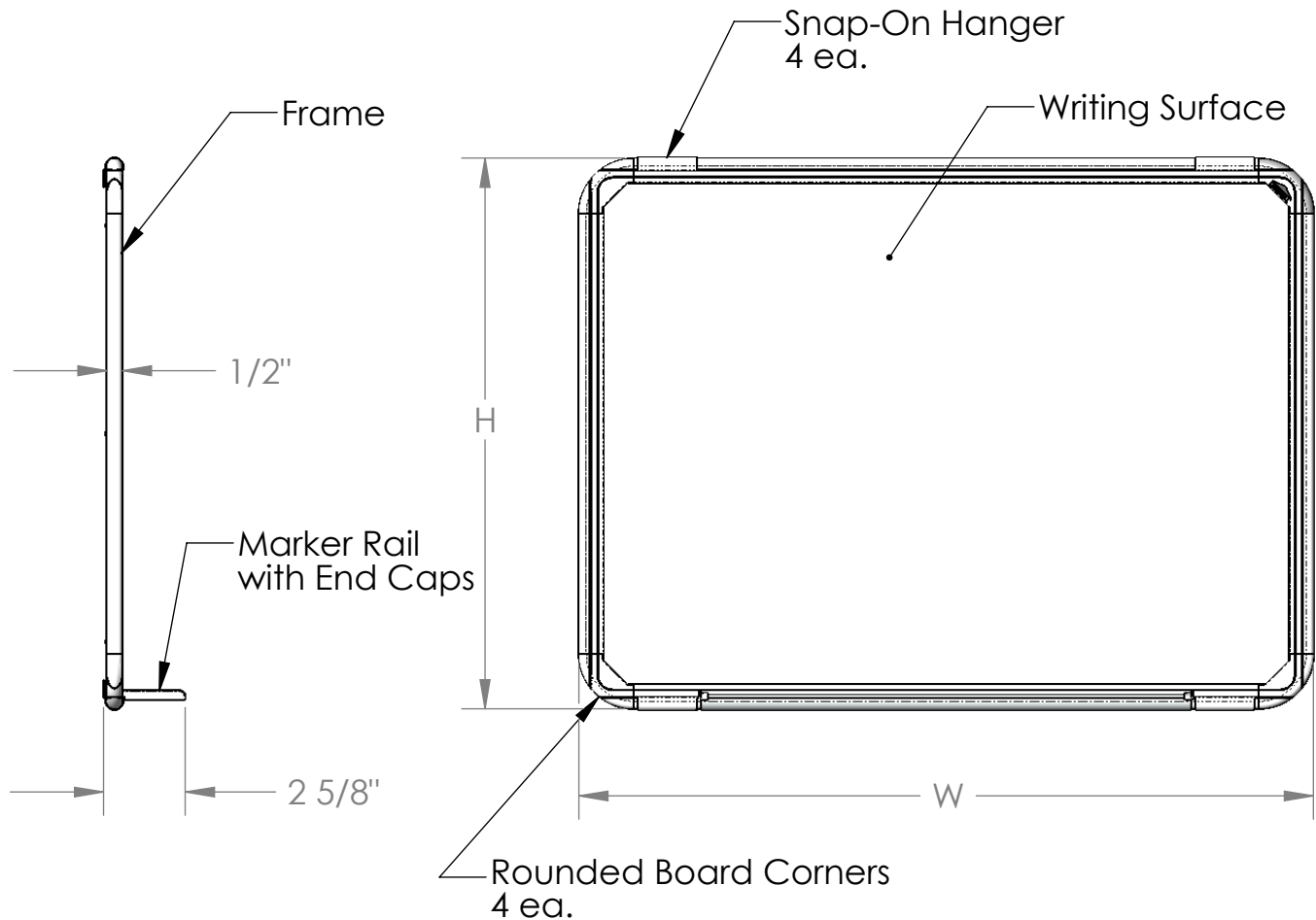


# Cintra Magnetic Whiteboards



## Product Specifications



### Materials:

- Framing, Marker Rail, and Hangers: Silver anodized aluminum extrusion
- Board Corners and Marker Rail End Caps: Grey molded plastic
- Writing Surface: White enamel coated sheet steel

### Features:

- Includes eraser and black marker
- Mounting fasteners (not included) are concealed after installation
- Available in 5 sizes\*: 18"H x 24" W, 2'H x 3'W, 3'H x 4'W, 4'H x 6'W, and 4'H x 8'W
- Board is guaranteed for 10 years

### Note:

- Indoor use only

\* sizes are approximate