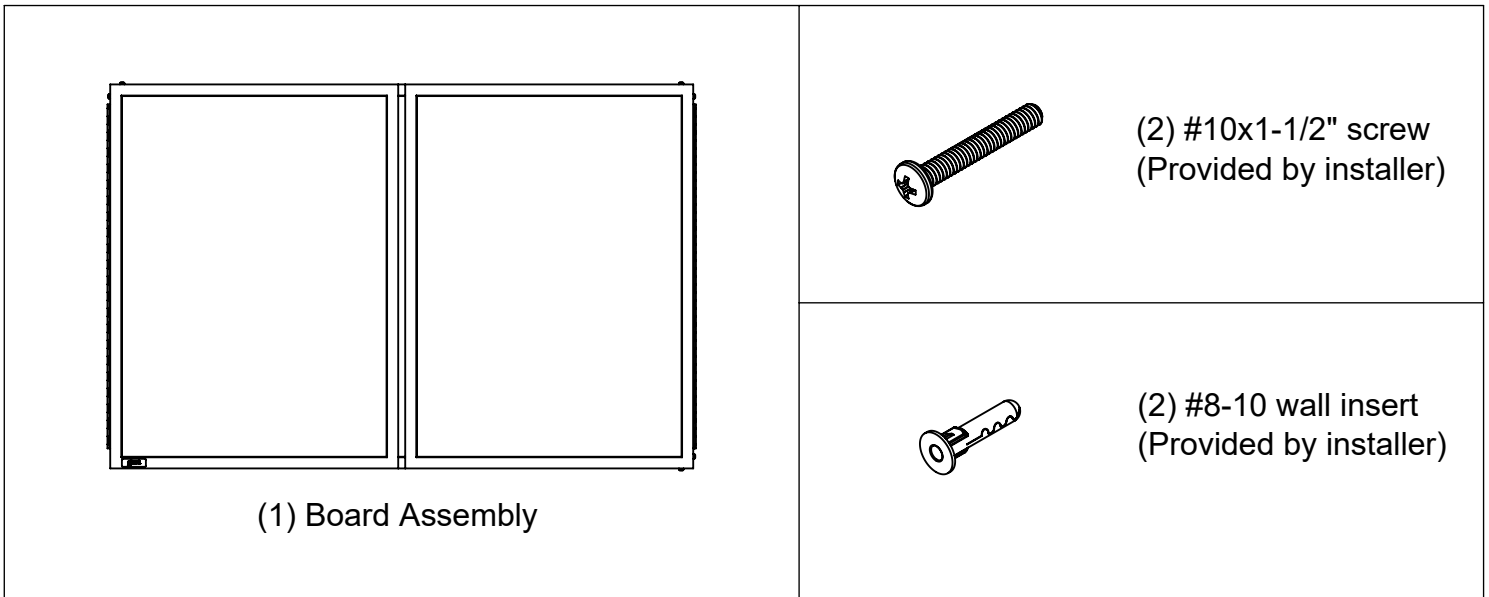
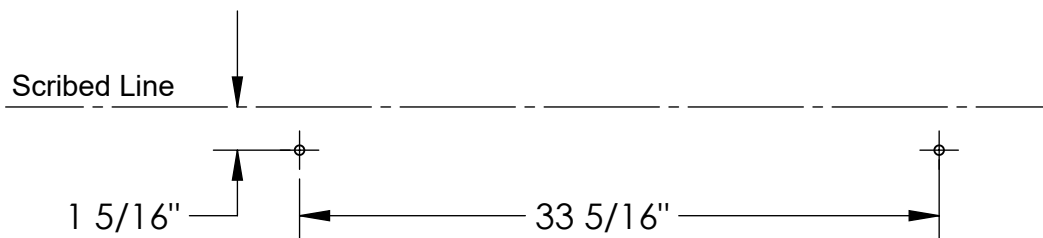


**Step 1:** Remove and unpack the Board Assembly.



**Step 2:** Determine the desired mounting height of the VisuALL PC and scribe a level line 1-5/16" down from this location. Position and mark the locations for (2) mounting holes 33-5/16" apart.



**Step 3:** Drill (2) marked holes. Use wall inserts to hold mounting screws. Carefully hang the board assembly on (2) screws.

**Step 4:** Recycle all packaging in accordance with local regulations.