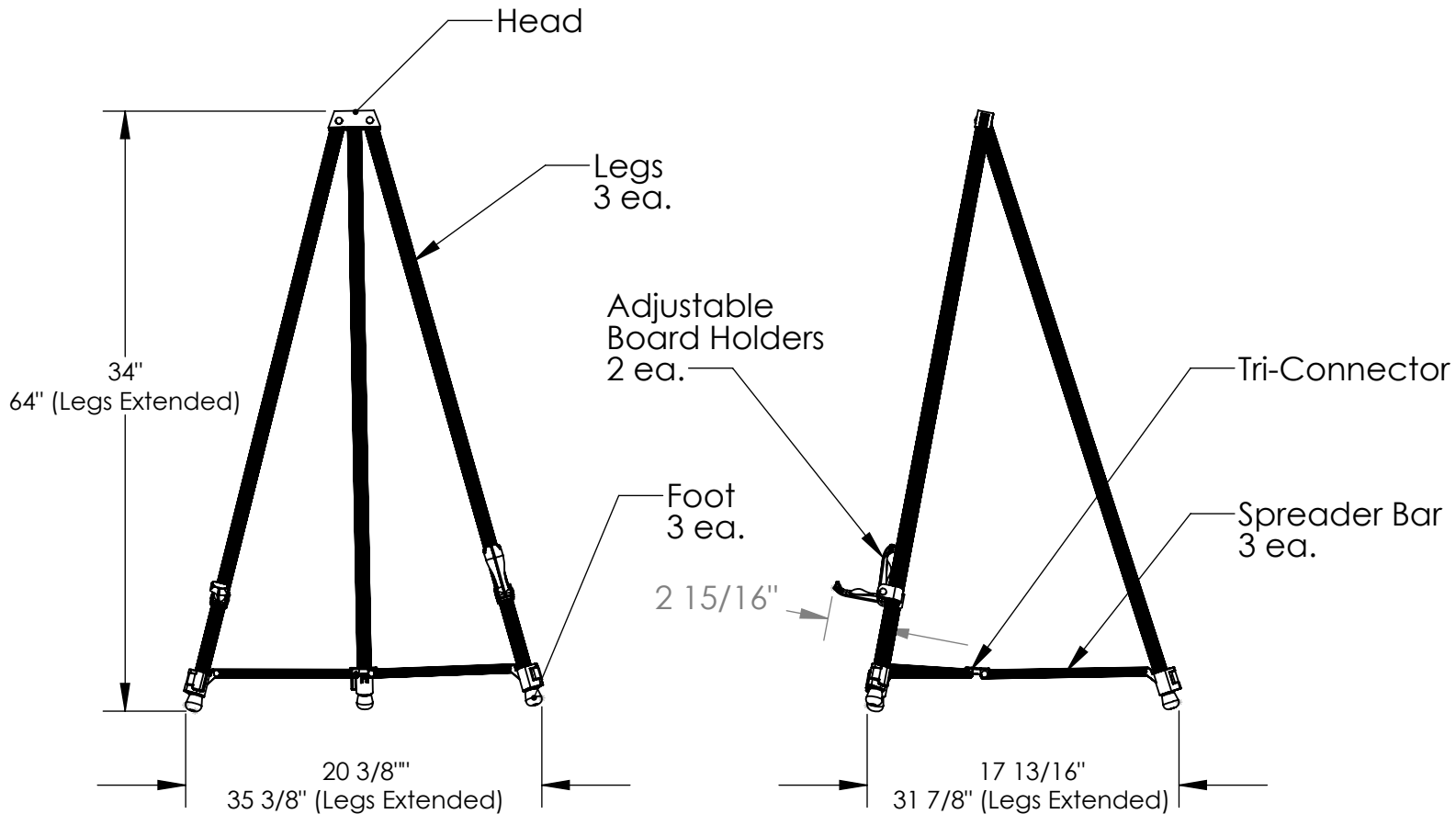


Aluminum Telescoping Presentation Easel, Silver

Product Specifications



Materials:

- Legs and Spreader Bars: Clear Satin anodized aluminum
- Head: Silver finished cast aluminum
- Tri-Connector: Zinc plated steel
- Fittings and Board Holders: Black thermoplastic
- Feet: Black rubber

Features:

- Telescoping legs
- Non-skid feet
- Adjustable board holders
- Easel is guaranteed for 1 year

Notes:

- Maximum load capacity 25 lbs