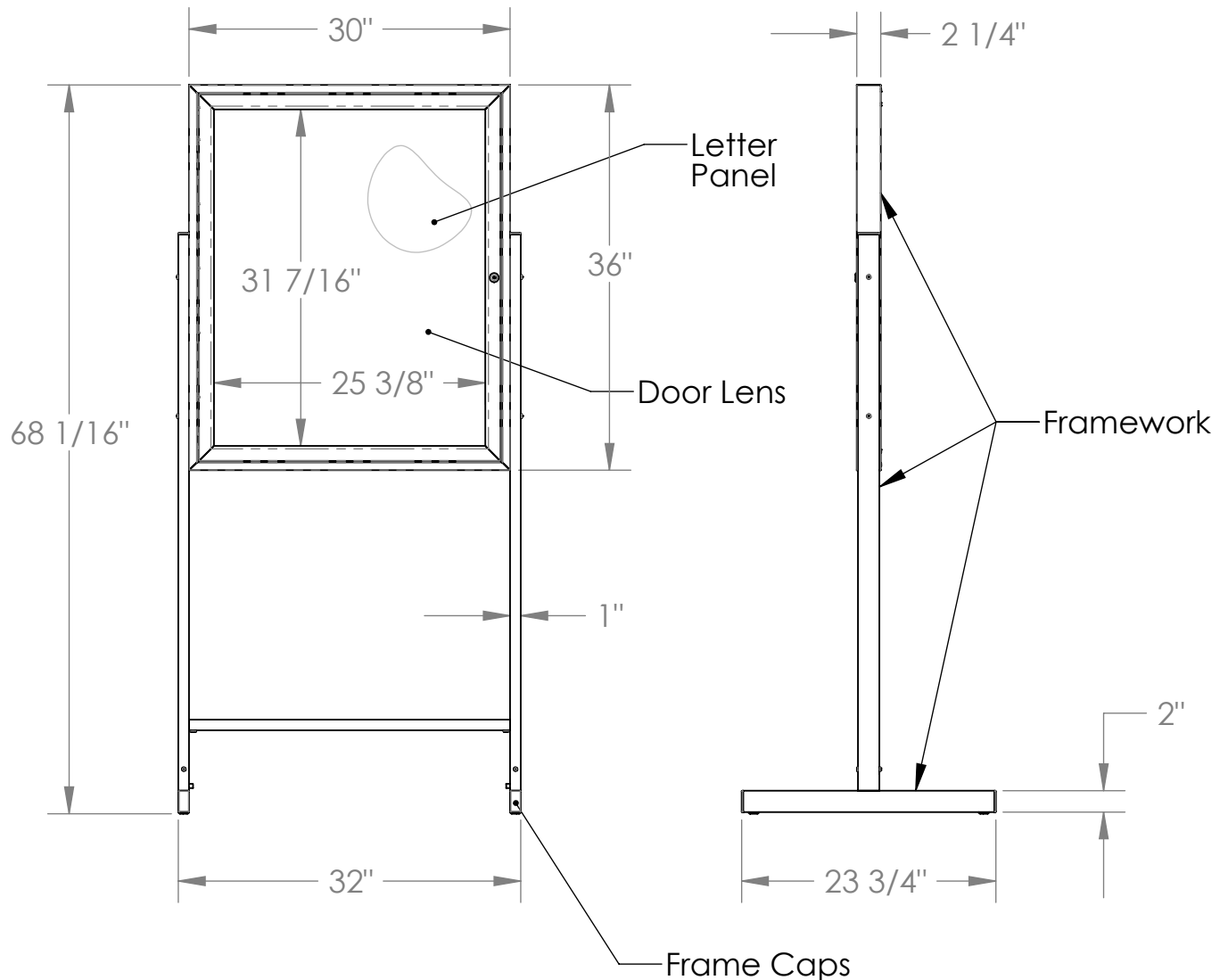


ZPA & ZPB Series

SENTRY Free Standing Message Center



Materials:

- Framework: Aluminum extrusion.
- Door Lens: Shatter-resistant 1/8" thick clear acrylic.
- Letter Panel: 3/8" thick MDF with a black flannel face.
- Frame Caps: Black thermoplastic

Features:

- The frame is available in a clear satin (PA) or dark bronze (PB) anodize finish.
- Includes a cam style door lock.
- Includes a set of white plastic 3/4" Gothic font letters.

Notes:

- Indoor use only.