

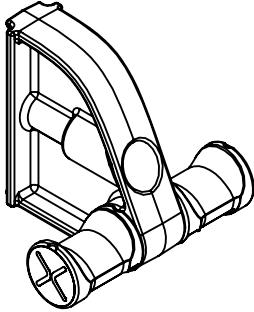
**nexus**<sup>®</sup>  
by Ghent

## PARTITION ASSEMBLY INSTRUCTIONS

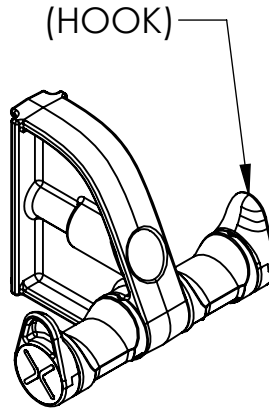
Models  
NEX223MMP and NEX224MMP

 **Before discarding the packaging, inventory the components and fasteners. (Some may be taped to the foam packaging.)**

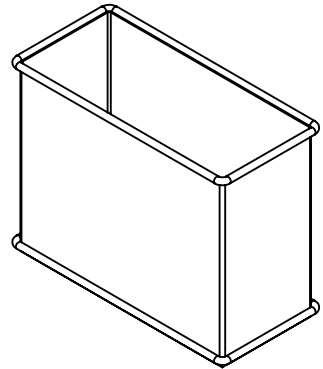
## FASTENERS AND HARDWARE



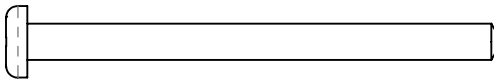
TABLET HANGER  
2 EA.



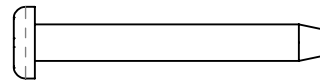
TABLET HANGER  
(WITH HOOKS)  
2 EA.



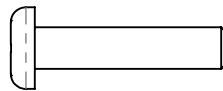
MARKER/ERASER  
HOLDER  
1 EA.



#10 X 2 1/2" PAN HEAD  
MACHINE SCREW  
5 EA.



#10 X 1 1/2" PAN HEAD  
TAPPING SCREW  
4 EA.



#12 X 1" PAN HEAD  
MACHINE SCREW  
8 EA.

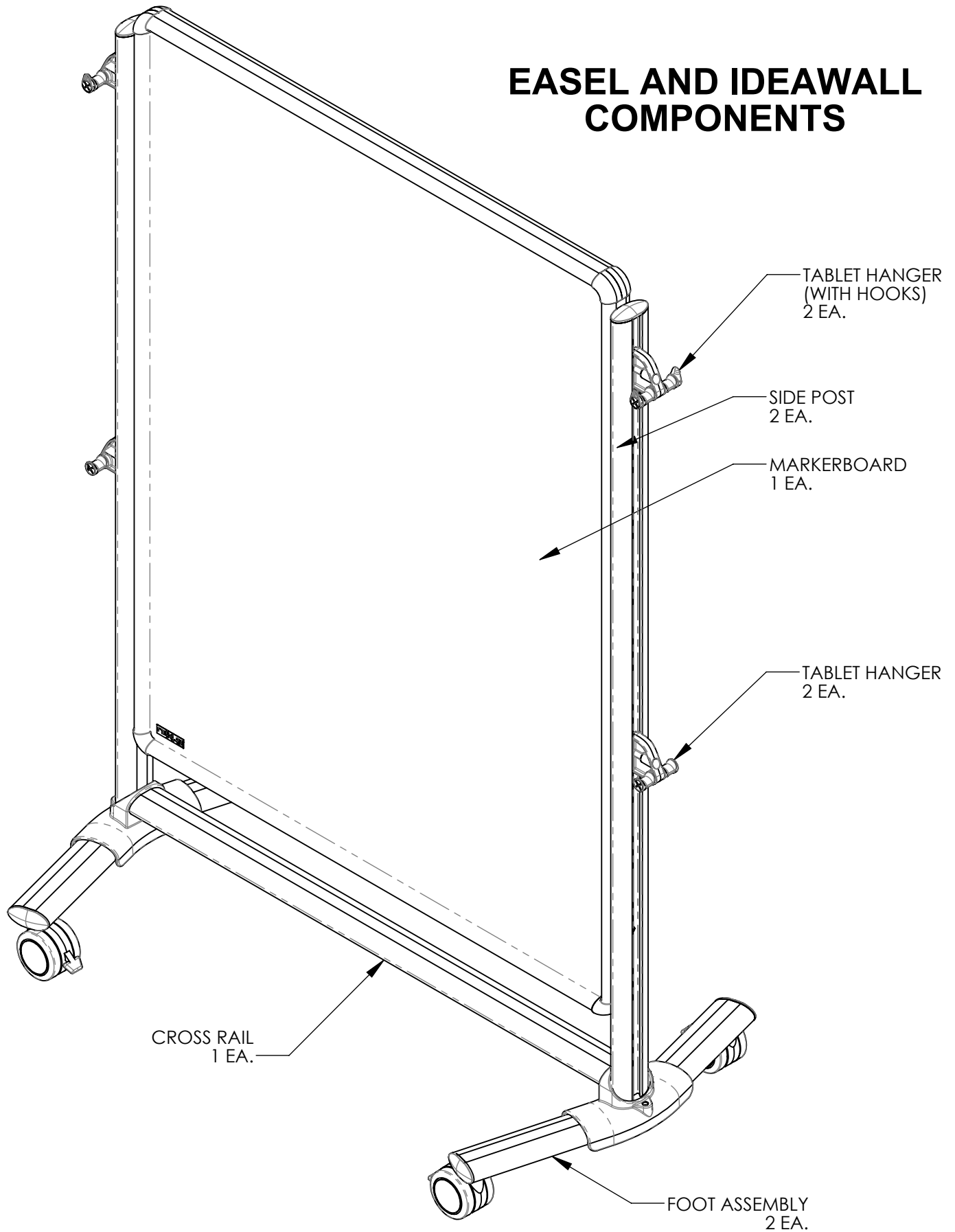
## RECOMMENDED TOOLS:

CORDLESS DRILL - 12 VOLT OR BETTER

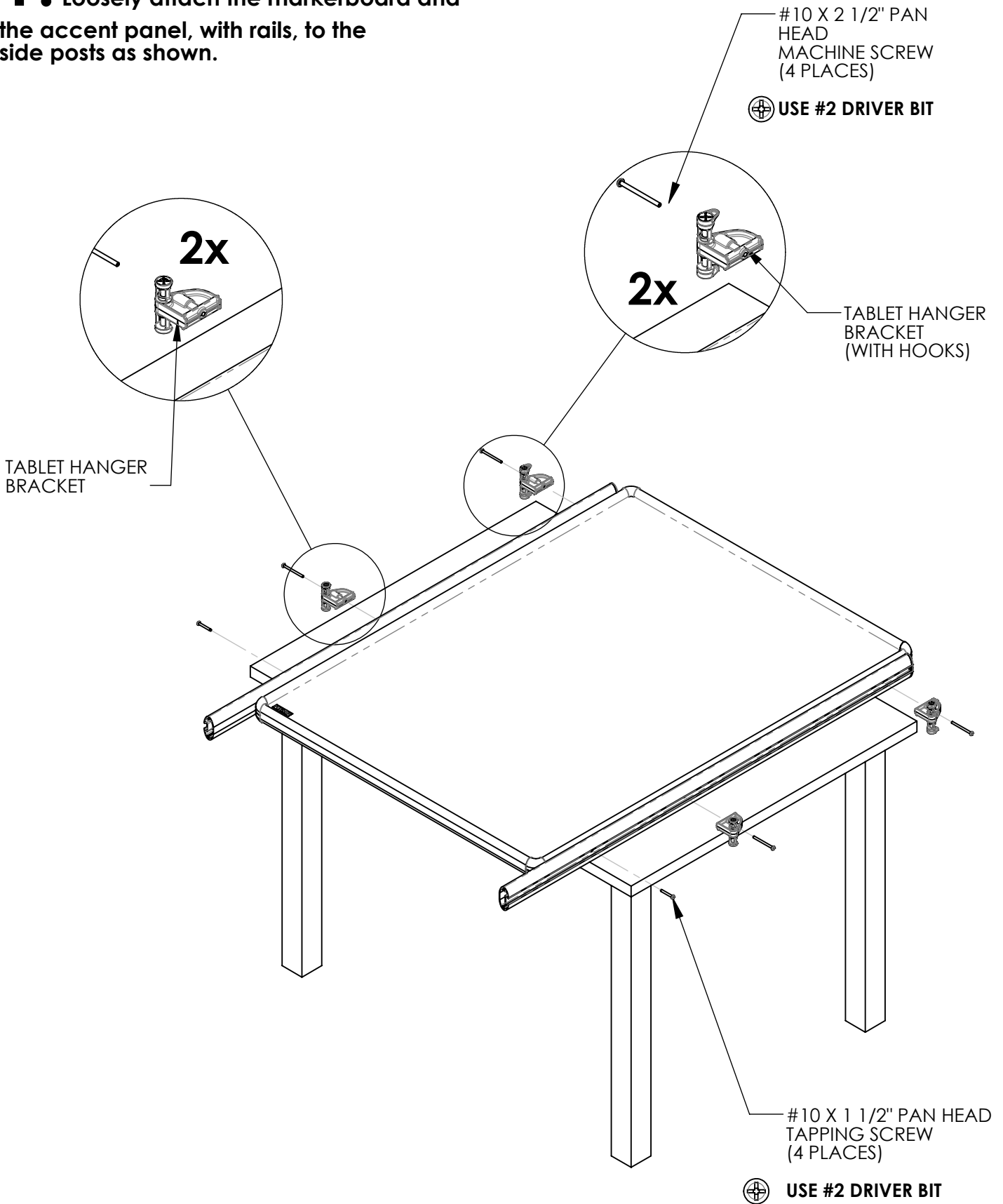
#2 AND #3 PHILLIPS SCREWDRIVER BITS

SCREWDRIVER BIT EXTENDER

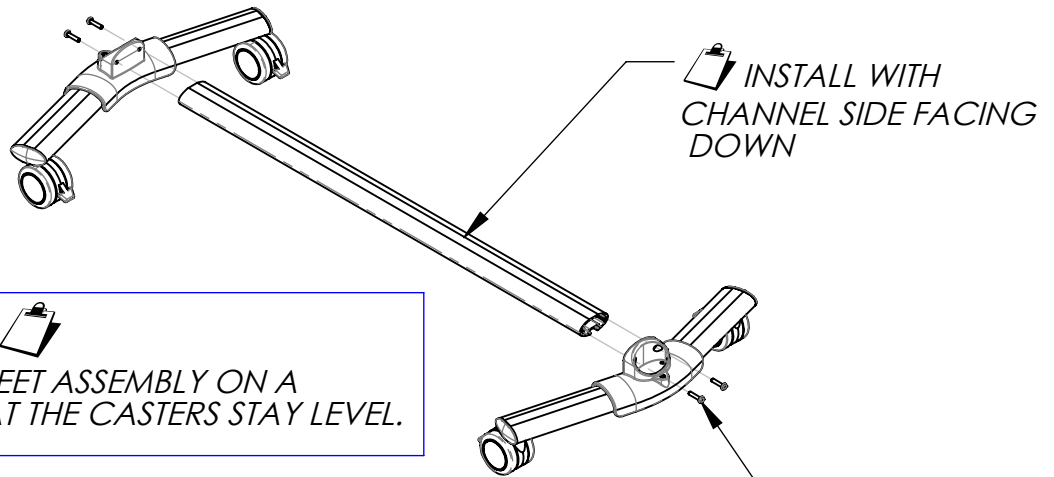
# EASEL AND IDEAWALL COMPONENTS



**1** • Loosely attach the markerboard and the accent panel, with rails, to the side posts as shown.

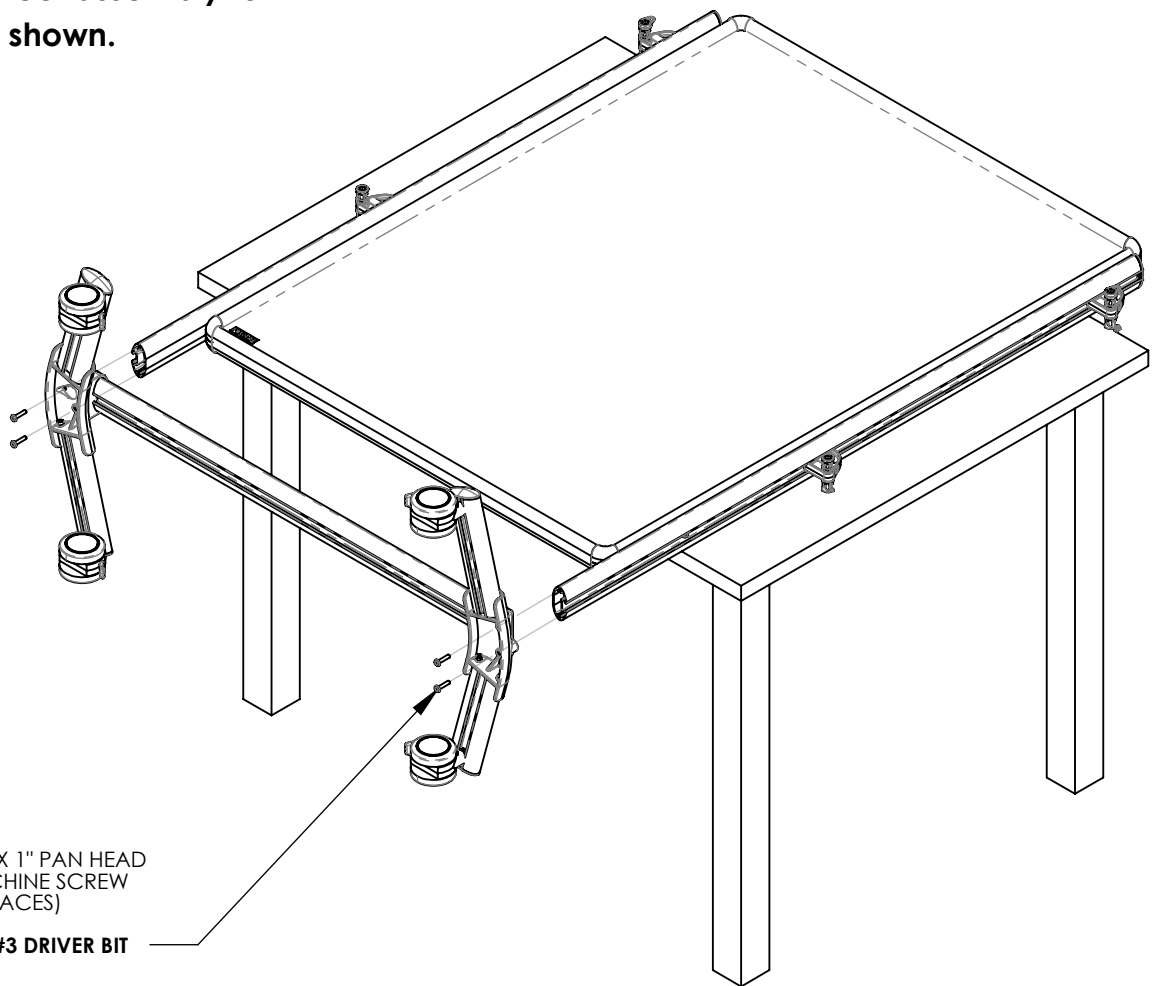


**3.** Attach the foot assemblies to the cross rail, as shown.



 **USE #3 DRIVER BIT WITH A BIT EXTENSION**

**4.** Attach the feet assembly to the side posts, as shown.



**5.** Tighten all screws to complete the assembly.