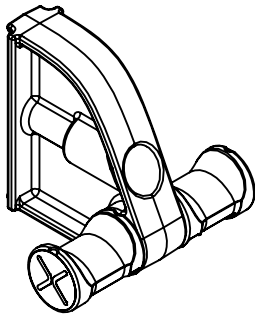


## EASEL AND IDEAWALL ASSEMBLY INSTRUCTIONS

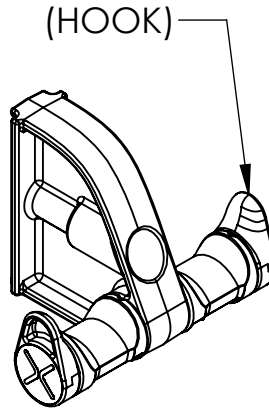
Models  
NEX203ME-FR, NEX206MW-FR

 **Before discarding the packaging, inventory the components and fasteners. (Some may be taped to the foam packaging.)**

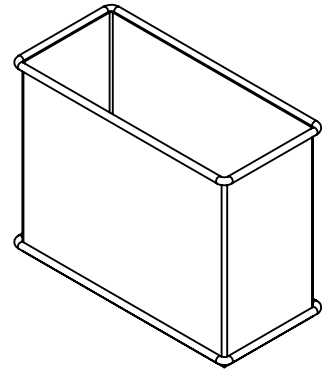
## FASTENERS AND HARDWARE



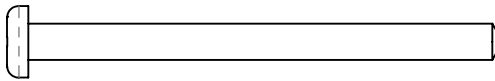
TABLET HANGER  
2 EA.



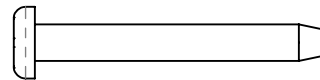
TABLET HANGER  
(WITH HOOKS)  
2 EA.



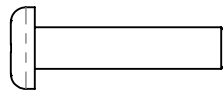
MARKER/ERASER  
HOLDER  
1 EA.



#10 X 2 1/2" PAN HEAD  
MACHINE SCREW  
5 EA.



#10 X 1 1/2" PAN HEAD  
TAPPING SCREW  
4 EA.



#12 X 1" PAN HEAD  
MACHINE SCREW  
8 EA.

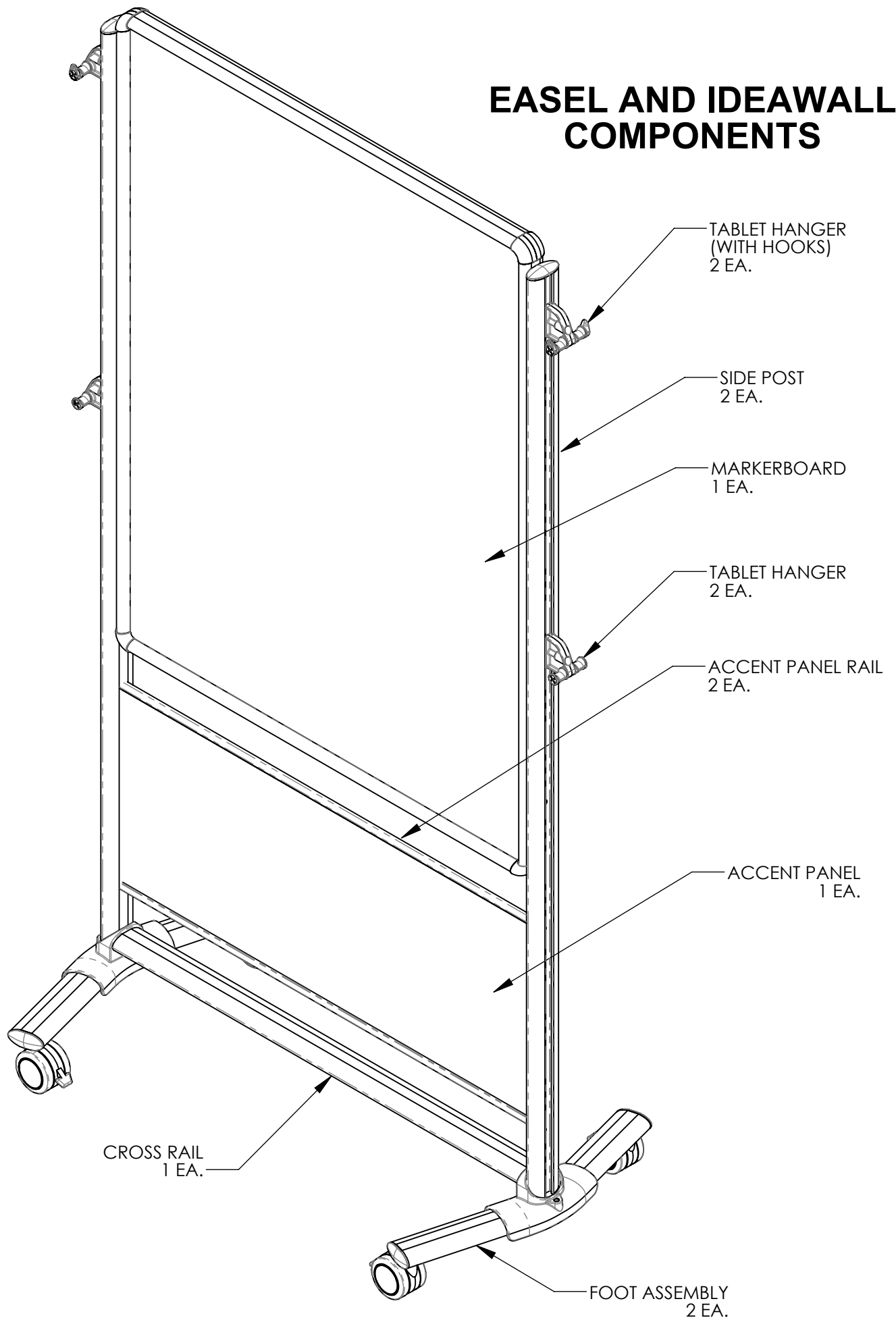
## RECOMMENDED TOOLS:

CORDLESS DRILL - 12 VOLT OR BETTER

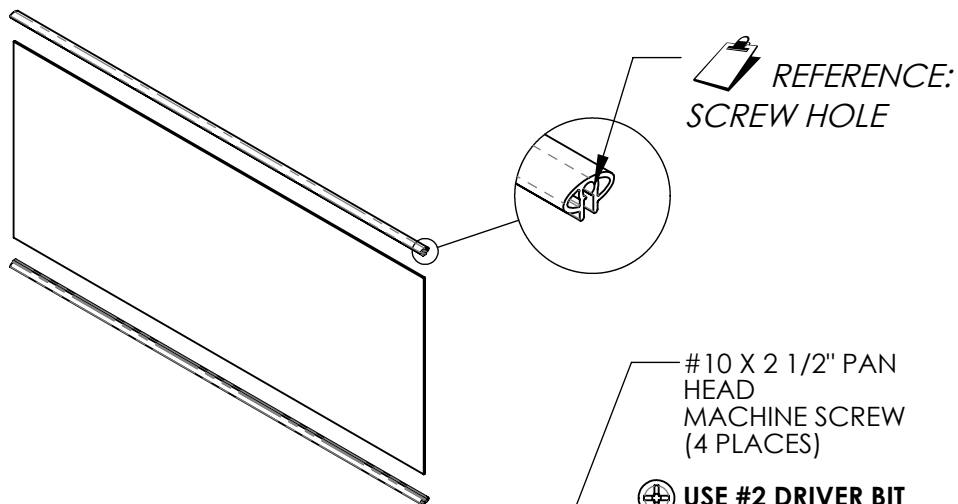
#2 AND #3 PHILLIPS SCREWDRIVER BITS

SCREWDRIVER BIT EXTENDER

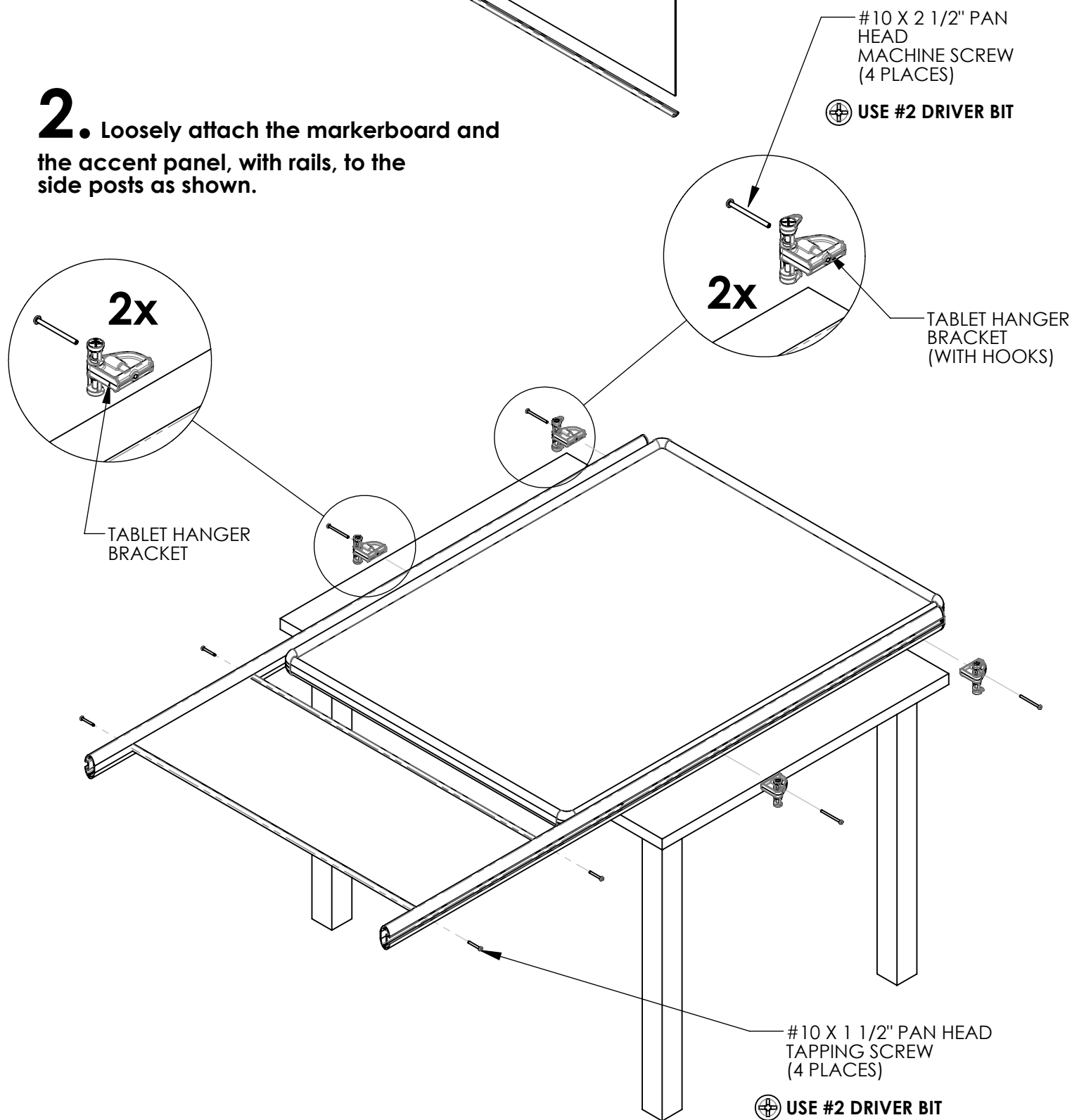
# EASEL AND IDEAWALL COMPONENTS



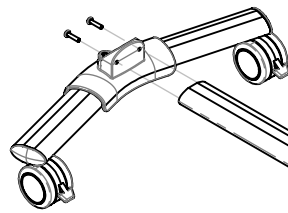
**1.** Insert the accent panel into the accent panel rails.



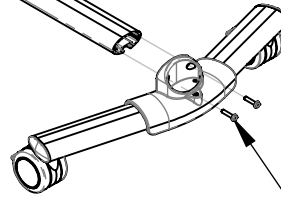
**2.** Loosely attach the markerboard and the accent panel, with rails, to the side posts as shown.



**3.** Attach the foot assemblies to the cross rail, as shown.



INSTALL WITH CHANNEL SIDE FACING DOWN

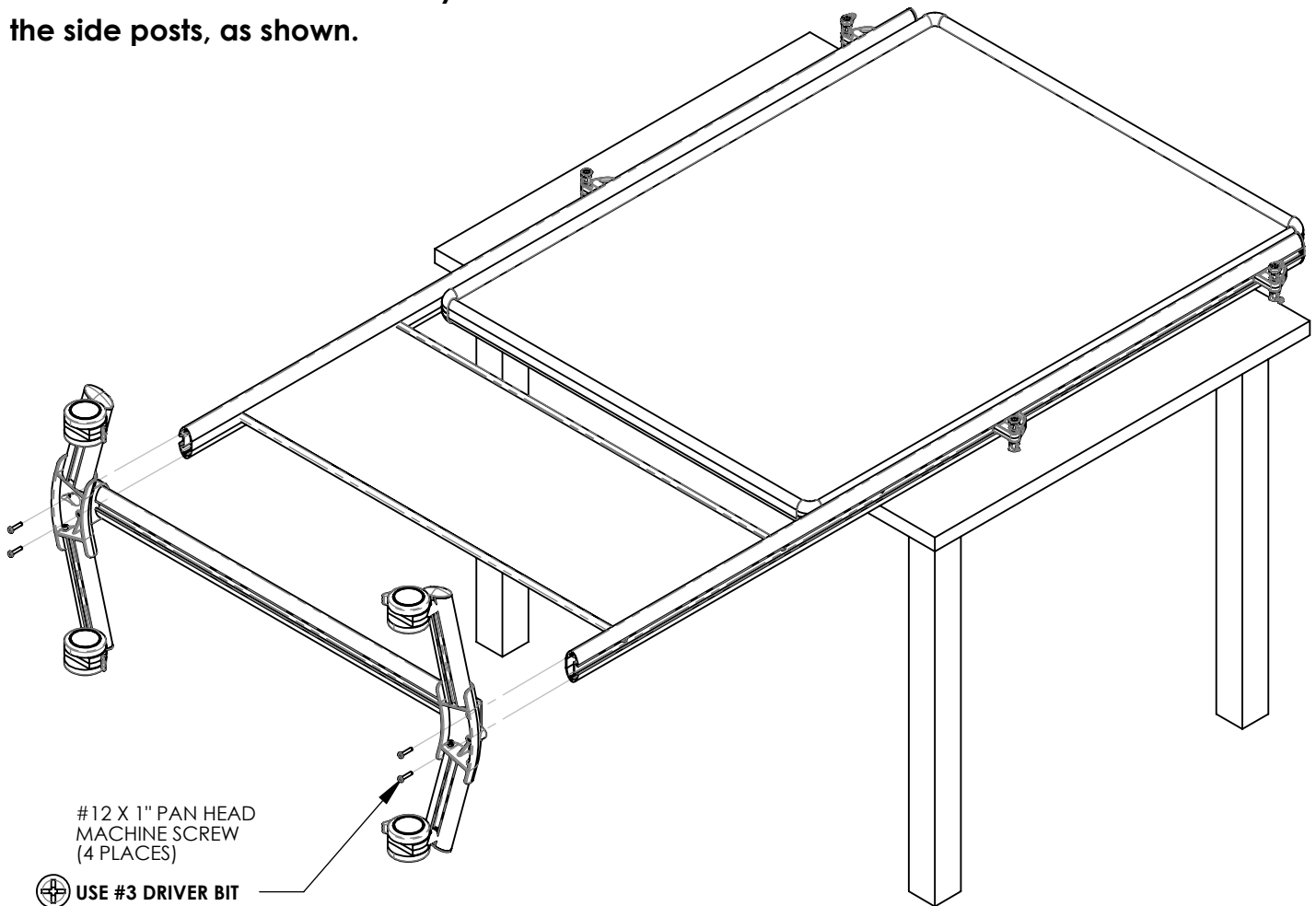


#12 X 1" PAN HEAD MACHINE SCREW (4 PLACES)

USE #3 DRIVER BIT WITH A BIT EXTENSION

ASSEMBLE THE FEET ASSEMBLY ON A FLAT SURFACE, SO THAT THE CASTERS STAY LEVEL.

**4.** Attach the feet assembly to the side posts, as shown.



#12 X 1" PAN HEAD MACHINE SCREW (4 PLACES)

USE #3 DRIVER BIT

**5.** Tighten all screws to complete the assembly.