

INSTALLATION INSTRUCTIONS

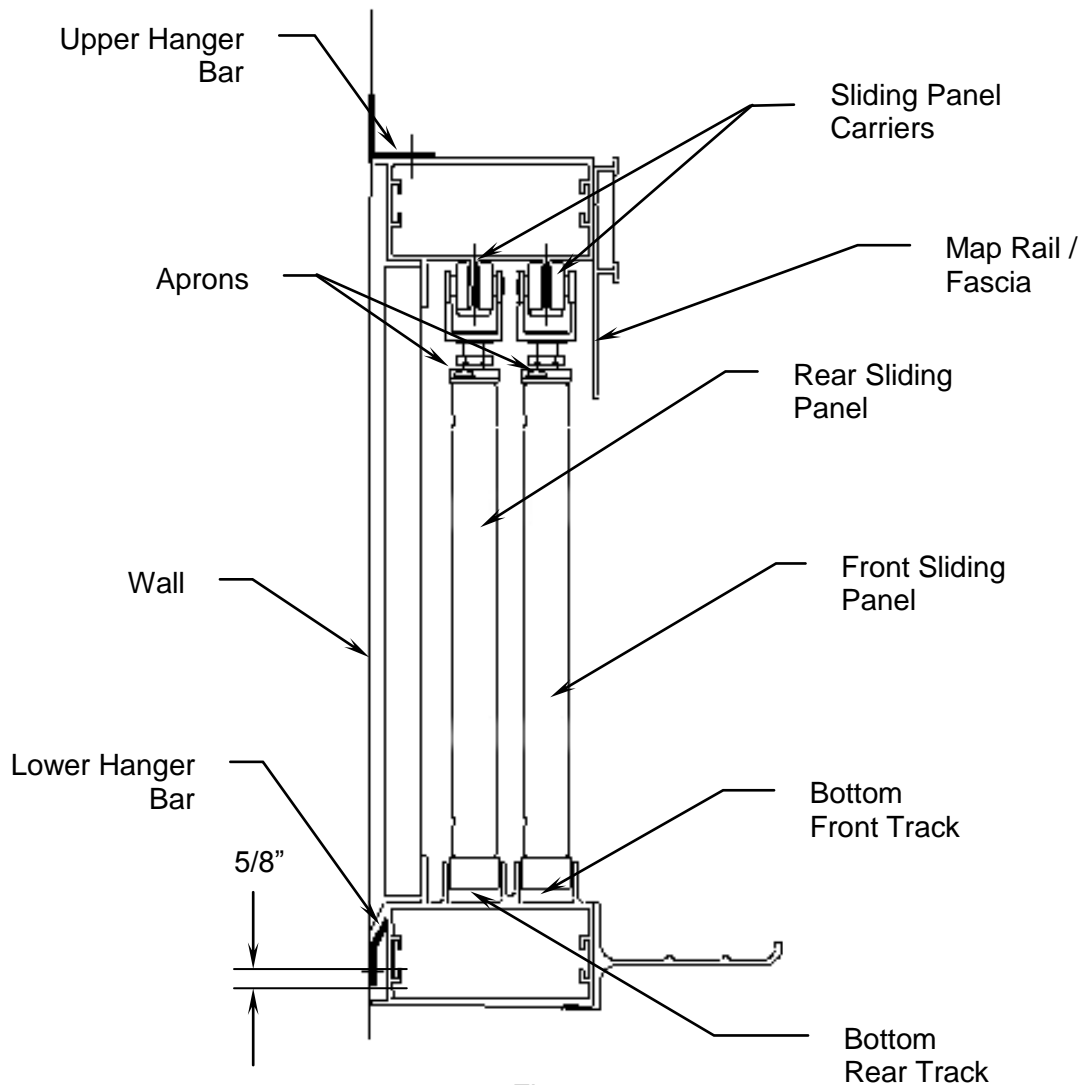
DUO-TRACK MARKERBOARD SLIDING PANEL SYSTEM

Prepare for Installation

Your Duo-Track Markerboard Sliding Panel System is designed for mounting on most wall surfaces. Because of the wide variation of mounting surface construction, specific mounting hardware is not included.

For the most secure mounting, fasten both hanger bars directly to wall studs. When wall studs can not be used, we recommend using expandable type wall anchors (not included) and spacing them evenly along the length of the hanger bars, starting 1"-2" from the ends.

THE LOWER HANGER BAR BEARS THE WEIGHT OF THE DUO-TRACK SLIDING PANEL SYSTEM. MAKE SURE THAT YOUR WALL CONSTRUCTION AND MOUNTING HARDWARE ARE SUFFICIENT TO SAFELY SUPPORT THE UNIT.



Installing the Framework

Determine the desired height from the floor to the bottom of the unit. Chalk a level line 5/8" up from this location. (See *figure 1.*) Locate and mark the stud positions along this line. Record these measurements for later use. Drill the wall for the mounting screws (or anchors). Transfer the drilled holes locations on the wall onto the lower hanger rail, and drill the clearance holes for the mounting fasteners 5/16" up from the bottom edge of the lower hanger bar. Screw the lower hanger bar into place on the wall, making sure it is level.

Using the same measurements from the lower mounting bar, drill clearance holes along both legs of the of the upper hanger bar, 1/2" in from the edges. Align the corner edge of the bar with the top rear edge of the unit. Using the upper mounting bar as a template, drill pilot holes for the screws into the top of the unit. Install upper mounting bar to the unit with the screws provided (see *figure 2*).

Place the unit onto the lower hanger bar and hold in position. Using the upper mounting bar as a template, mark the positions for the upper mounting bar screws (or anchors).

Remove the unit.

Drill for and install the upper wall screws (or anchors).

Replace the unit onto the wall and screw through the upper hanger bar into the wall. Ensure all screw connections are tight.



Figure 2.

Installing the Sliding Panels

Unscrew the (2) end caps on the ends of the map rail and set aside (see *figure 3*).

Gently slide the cork strip out of the map rail and set aside.

Unscrew the small screws fastening the map rail to the unit. Set the map rail and it screws aside for later re-installation.

Vacuum any metal shavings from the bottom front and rear tracks

Select which sliding panel is to be the rear panel on the unit.



Figure 3.

If the unit is supplied with a sliding cork panel, Ghent recommends it be used as the front panel. If the cork panel is mounted in the rear of the unit, oversized pushpins used on the cork panel may interfere with the sliding motion of the front panel.



Figure 4.

Place the bottom edge of the rear panel into the bottom rear track on the unit (see *figure 4*).

Tilt the panel up into the unit, so that the heads of the apron bolts enter into and rest in the cups in the carriers (see figure 5).

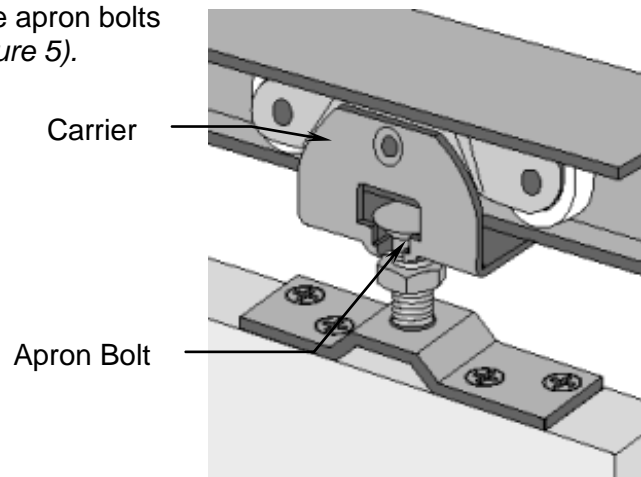
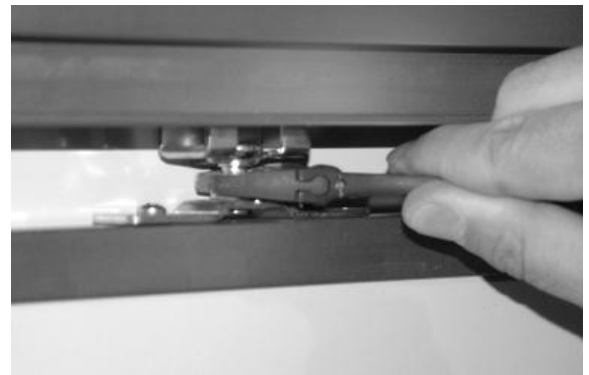


Figure 5.

Raise the lock nut to kiss contact on the shoulder of the apron bolt head (see figure 6). This will prevent the panel from disengaging from the carrier while the panel is being moved.



DO NOT TIGHTEN EXCESSIVELY. PLAY BETWEEN THE APRON AND THE CARRIERS IS NECESSARY FOR BEST OPERATION.

Figure 6.

Install the front panel into the bottom front track just as you did for the rear panel.

Re-install the map rail with the screws you set aside. *Note the orientation of the map rail in Figure 1.*

Gently insert the map rail cork strip into the map rails channel, being careful not to catch the leading edge of the strip on the mounting screw heads.

Finish the installation by re-installing the map rail end caps.

Caution when operating the Sliding Panels

Using excessive force when sliding the panels may cause damage to the unit.