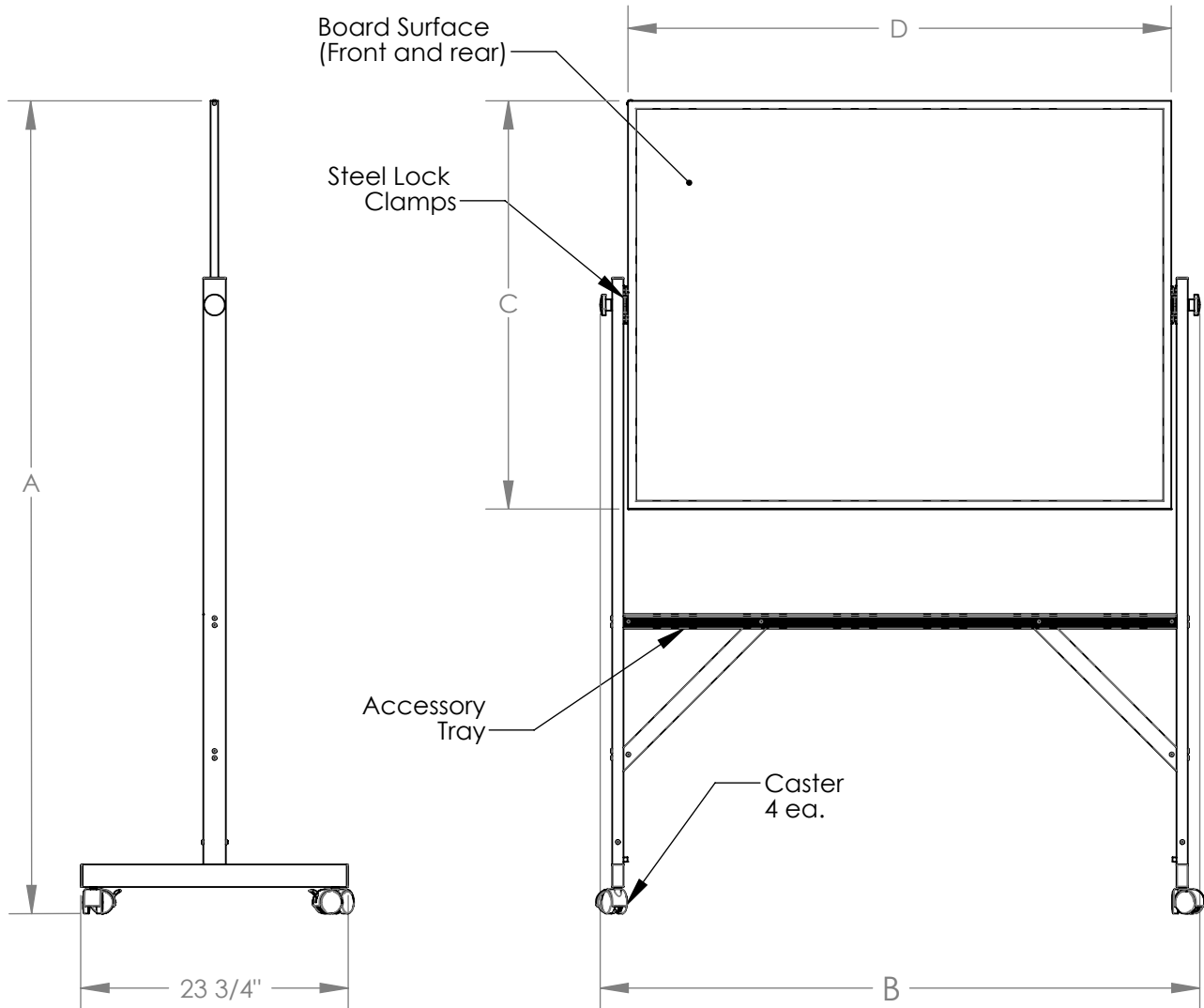


AR Series (M1)

Aluminum Framed Reversible Boards



Materials:

- Framework: Satin anodized aluminum extrusion.
- Board surfaces: White porcelain coated 28 gage steel laminated to 3/8" thick fiberboard.
Tack board - natural cork applied to 3/8" fiberboard
- Swivel casters are black thermoplastic with wheel locks.

Features:

- Available in two board sizes: 36"H x 48"W, 48"H x 72"W, and 48"H x 96"W
- Board surfaces combinations available: whiteboard/whiteboard or whiteboard/cork

Notes:

- Indoor use only

| ITEM NUMBER | A | B | C | D |
|----------------------|---------|----------|---------|---------|
| ARM1M134 and ARM1K34 | 72-1/8" | 53-1/4" | 36-1/4" | 48-1/4" |
| ARM1M146 and ARM1K46 | 78-1/8" | 77-1/4" | 48-1/4" | 72-1/4" |
| ARM1M148 and ARM1K48 | 78-1/8" | 101-1/4" | 48-1/4" | 96-1/4" |