

VERTEX SERIES

Adjustable Outdoor Luminaire for Precise Accent Lighting

Project:	Type:	Qty:
----------	-------	------



FEATURES

Precision optics deliver controlled beam distribution with multiple angles and low glare.

Fully adjustable compact cylindrical design with architectural aesthetics for flexible aiming.

Die-cast aluminum body with corrosion-resistant finish ensures durability and heat dissipation.

High-performance LED with up to 50,000 hours (L70) lifetime and stable lumen output.

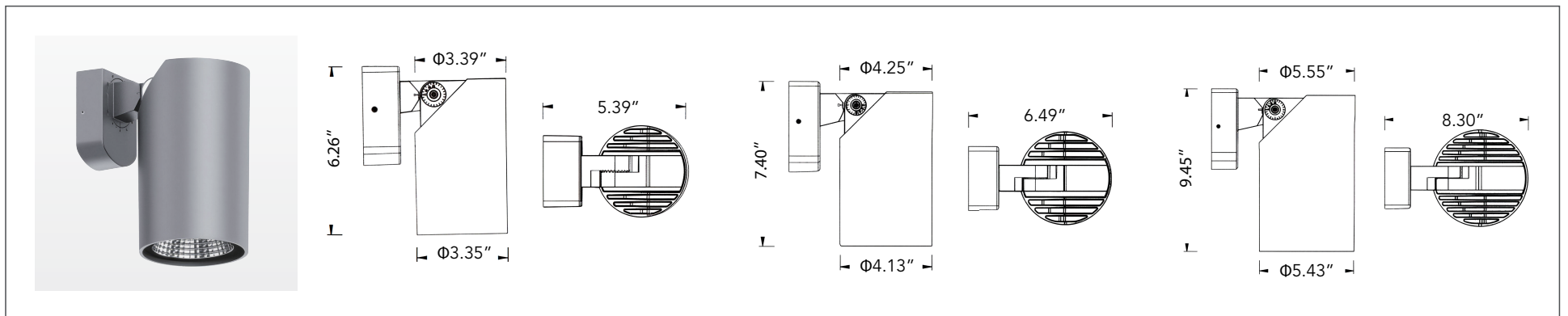
Available with 0-10V / DALI dimming and integrated driver options for easy installation.

IP65 / IP67 protection for reliable outdoor use in wet and harsh environments.

ORDER CODE

ORDER CODE EXAMPLE: VERTEX-4.25-90-30K-38D-24V-DALI-WH

SERIES	SIZE/WATTAGE	CRI	CCT	BEAM	INPUT VOLTAGE	ENVIRONMENT	DIMMING	FINISH	
VERTEX	3.39 15W	80 80Ra	27K 2700K	10D 10 Degree Available only in 3.39"/4.25"	12V 12V DC	— Leave blank if "dry of damp location ((IP65/IP67)	NON Non Dim	BK Black	
	4.25 20W	90 90Ra	30K 3000K	15D 15 Degree Available only in 3.39"	24V 24V DC		ELV Triac/ELV	WH White	
	5.55 40W	35K 3500K	24D 24 Degree	38D 38 Degree				D10 0-10V	GR Gray
		40K 4000K	50D 50 Degree Available only in 3.39"					DALI DALI	
		TW 3000K-1800K	60D 60 Degree Available only in 3.39"					DMX DMX512	
	WD 6500K-1800K								



Power Supply- Order separately

For Non dim, 0-10V/ELV dim, Drivers are available in single and multi-circuit configurations, with capacities ranging from **30W to 384W**



*FOR DALI OR DMX CONTROL OPTIONS PLEASE CONSULT THE FACTORY. DRIVERS BY OTHERS MUST BE APPROVED BY BINA FOR USE WITH OUR FIXTURE. IF DRIVER IS NOT APPROVED BY BINA THIS WILL VOID FIXTURE WARRANTY



VERTEX SERIES

Adjustable Outdoor Luminaire for Precise Accent Lighting

BINA COMPANY

Project:

Type:

Qty:

Installation & Safety Instructions

*Important — Please read before installation

Installation must be performed by a qualified professional.

Disconnect power before installation or maintenance.

Use within rated voltage only.

Use only recommended LED drivers and approved waterproof 3-conductor cable (brown / blue / green-yellow).

Ensure proper ventilation around the heat sink.

Do not disassemble or modify the product.

Keep away from corrosive, flammable, or explosive environments.

Warranty is void in case of improper installation or modification.

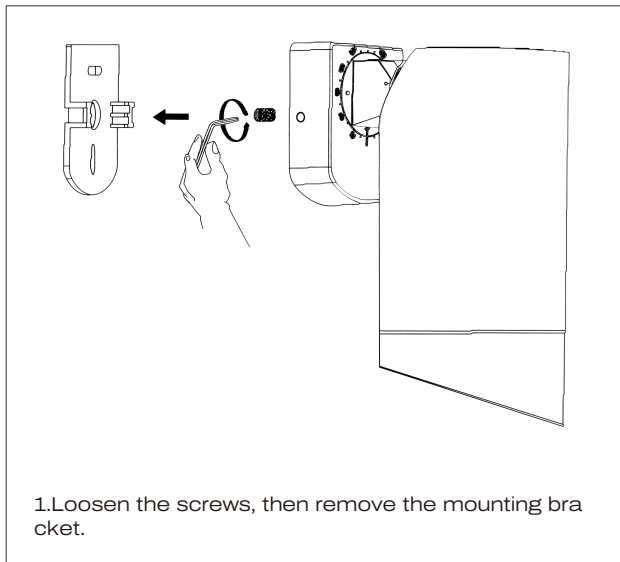
Product may vary slightly from illustrations.

INSTALLATION INSTRUCTIONS

DIRECT MOUNT -12/24V DC LOW VOLTAGE DIRECT MOUNT CONFIGURATION (NO JBOX)

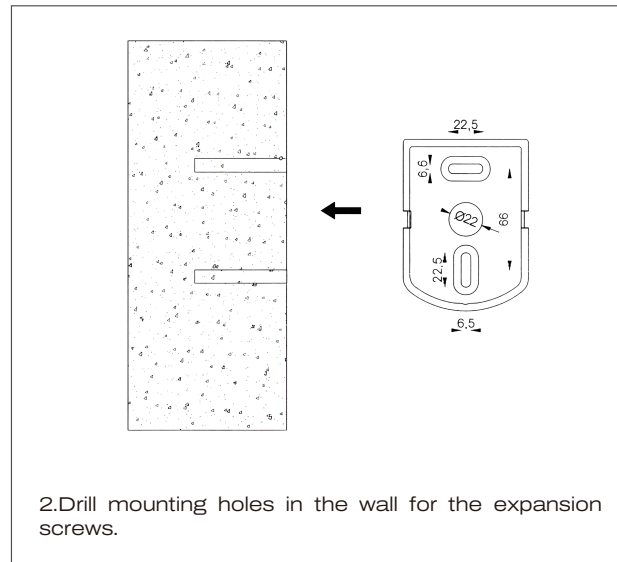
USE WITH REMOTE CLASS 2 POWER SUPPLY

STEP 1 ▶



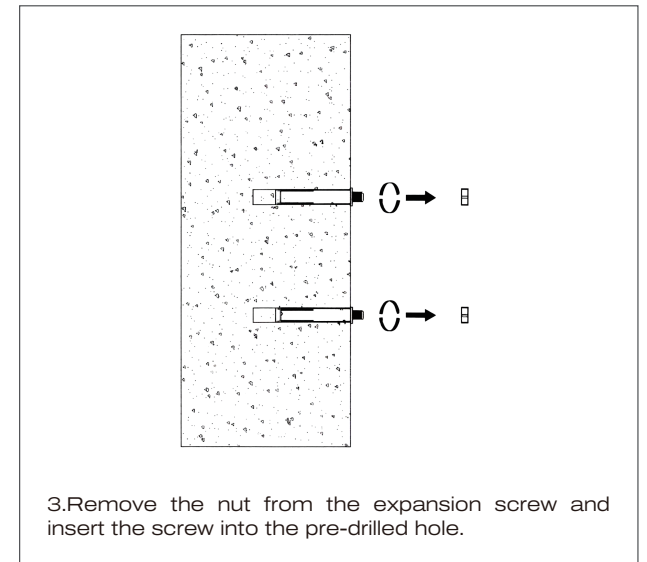
1. Loosen the screws, then remove the mounting bracket.

STEP 2 ▶



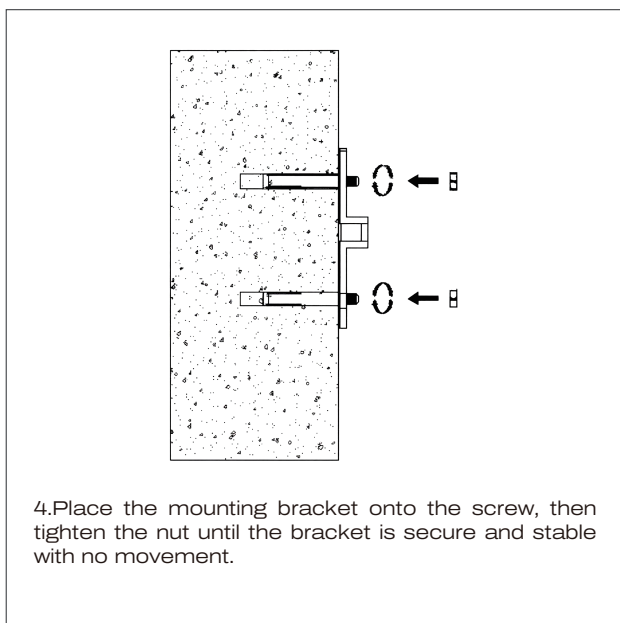
2. Drill mounting holes in the wall for the expansion screws.

STEP 3 ▶



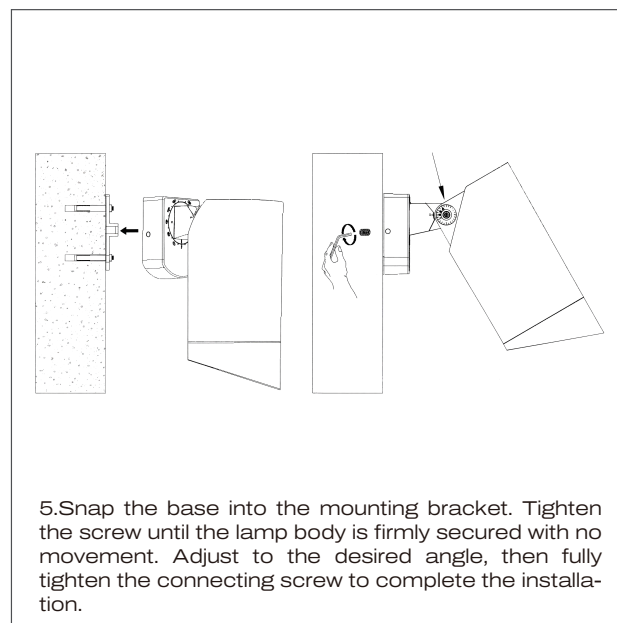
3. Remove the nut from the expansion screw and insert the screw into the pre-drilled hole.

STEP 4 ▶



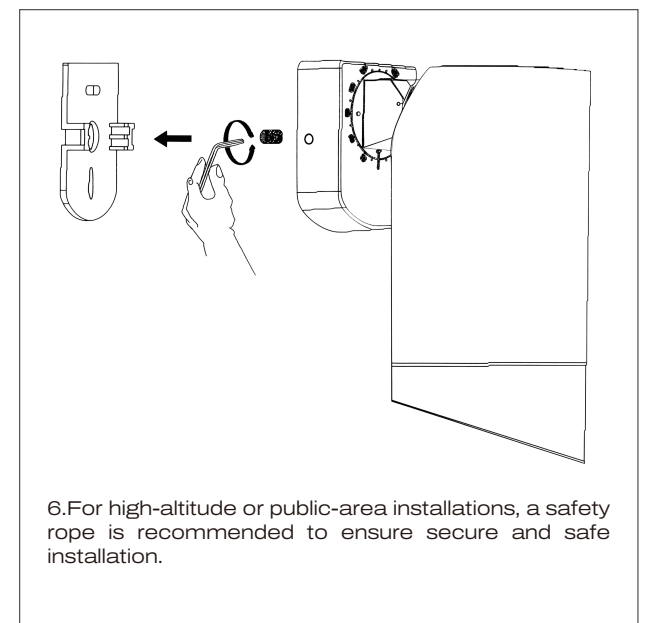
4. Place the mounting bracket onto the screw, then tighten the nut until the bracket is secure and stable with no movement.

STEP 5 ▶



5. Snap the base into the mounting bracket. Tighten the screw until the lamp body is firmly secured with no movement. Adjust to the desired angle, then fully tighten the connecting screw to complete the installation.

STEP 6 ▶



6. For high-altitude or public-area installations, a safety rope is recommended to ensure secure and safe installation.

VERTEX SERIES

Adjustable Outdoor Luminaire for Precise Accent Lighting

Project:	Type:	Qty:
----------	-------	------

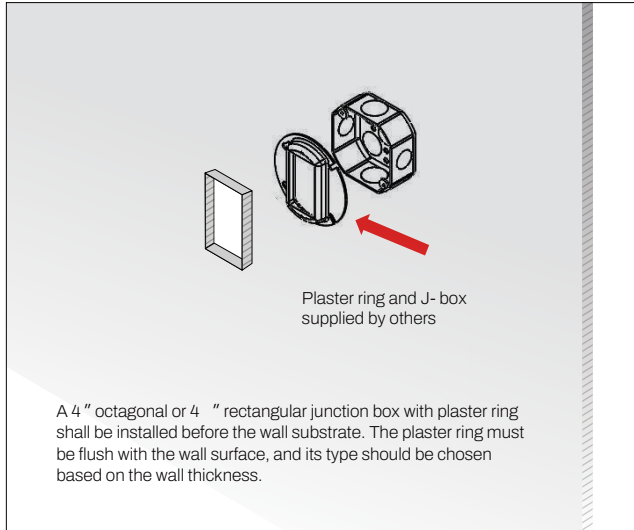
WITH JUNCTION BOX (RECOMMENDED)

FOR INSTALLATIONS USING A JUNCTION BOX, THE RACO J-BOX COVER (768AMR) IS RECOMMENDED TO BE PLACED OVER THE JUNCTION BOX PRIOR TO DRYWALL INSTALLATION.

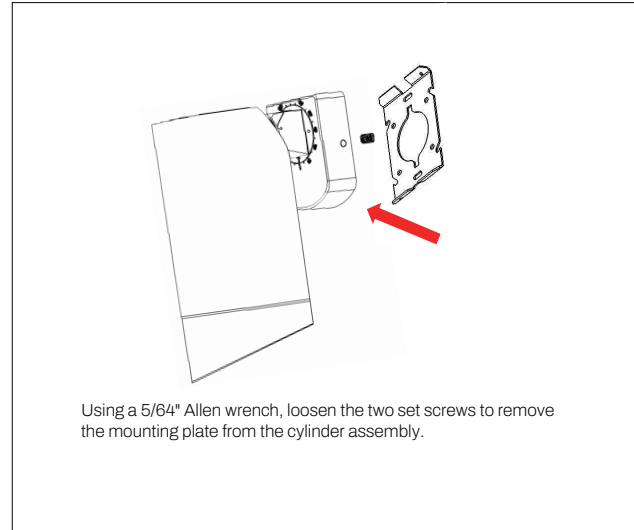
USE WITH 1-GANG ADJUSTABLE MUD RING FOR 4" SQUARE BOXES.

RACO COMPONENTS ARE NOT SUPPLIED AND SHOULD BE PURCHASED SEPARATELY FROM LOCAL DISTRIBUTORS.

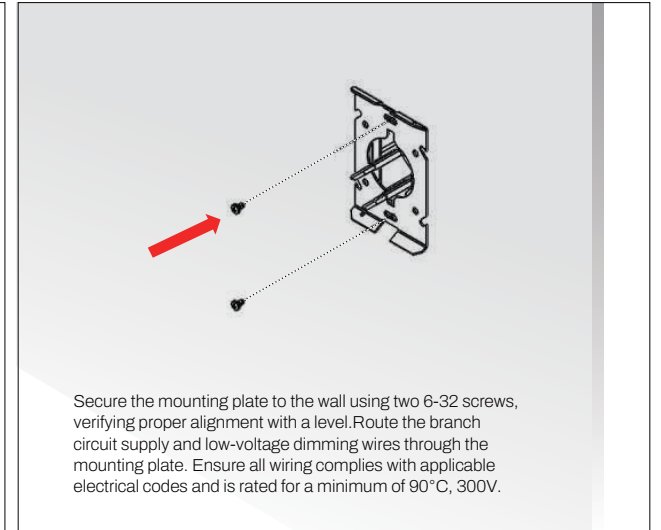
STEP 1 ▶



STEP 2 ▶



STEP 3 ▶



RACO ADJUSTABLE MUD RINGS

CATALOG#	DESCRIPTION	STD. PKG.	BAR CODE
Adjustable	Mud Rings		
768AMR	1-gang Adjustable Mud Ring for 4" sq. boxes	25	

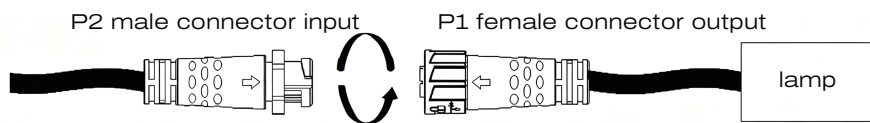


768AMR

STEP 7 ▶

7. Connect the product's input power cable to the site single-phase power supply by matching wire colors: live (brown-brown), neutral (blue-blue), and earth (green/yellow-green/yellow).

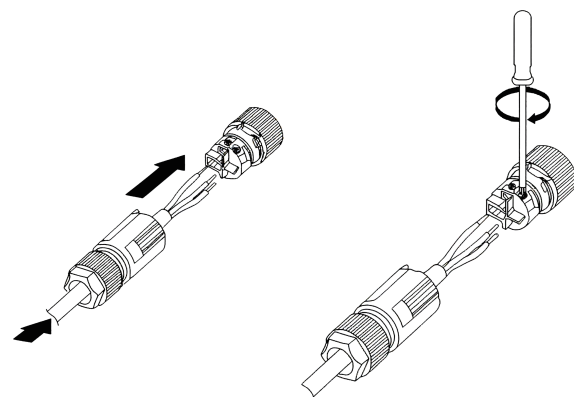
(1) By male and female connector:



Rotate the nut into the positioning groove, then push it back. Align the arrows on the male and female connectors, insert them firmly together, and push to lock in place.

(2) By waterproof connector

After confirming all connections are correct, switch on the power to complete the installation. (Low-voltage luminaires must not be directly connected to AC220V; a constant-voltage driver is required at the front end.)



Connect the power cable to the luminaire's cable, then secure and tighten the waterproof connector.

VERTEX SERIES

Adjustable Outdoor Luminaire for Precise Accent Lighting

BINA COMPANY

Project:

Type:

Qty:

Important Safety Information

To reduce the risk of damage, electric shock, fire, or injury, installation and operation must be carried out in accordance with the instructions provided. Do not modify the luminaire or replace components independently.

2.1 Do not exceed the rated voltage range (AC 220–240V, 50/60Hz). Operation beyond the specified range may result in overheating or product failure.

2.2 Disconnect the power supply before installation. Ensure the circuit is completely de-energized prior to any installation work.

2.3 Do not install the luminaire in environments exposed to excessive heat or corrosive gases, as this may reduce product lifespan.

2.4 Ensure the mounting surface can support at least 10 times the fixture weight. Installation must be carried out on a stable, vibration-free, and secure structure.

2.5 The external flexible cable is not replaceable. If damaged, the luminaire must be replaced.

2.6 The light source is replaceable only by the manufacturer, authorized service personnel, or qualified professionals.

2.7 This luminaire is designed and manufactured in accordance with applicable international safety standards.

