

# UNI-POINT

## Recessed System

Project: Type: Qty:



### FEATURES

One connector. Endless lighting possibilities.

UNI-POINT is a modular mono-point lighting system based on a recessed quick-connector platform.

A single connector supports multiple interchangeable luminaires, enabling seamless installation across ceilings, walls, and tabletops.

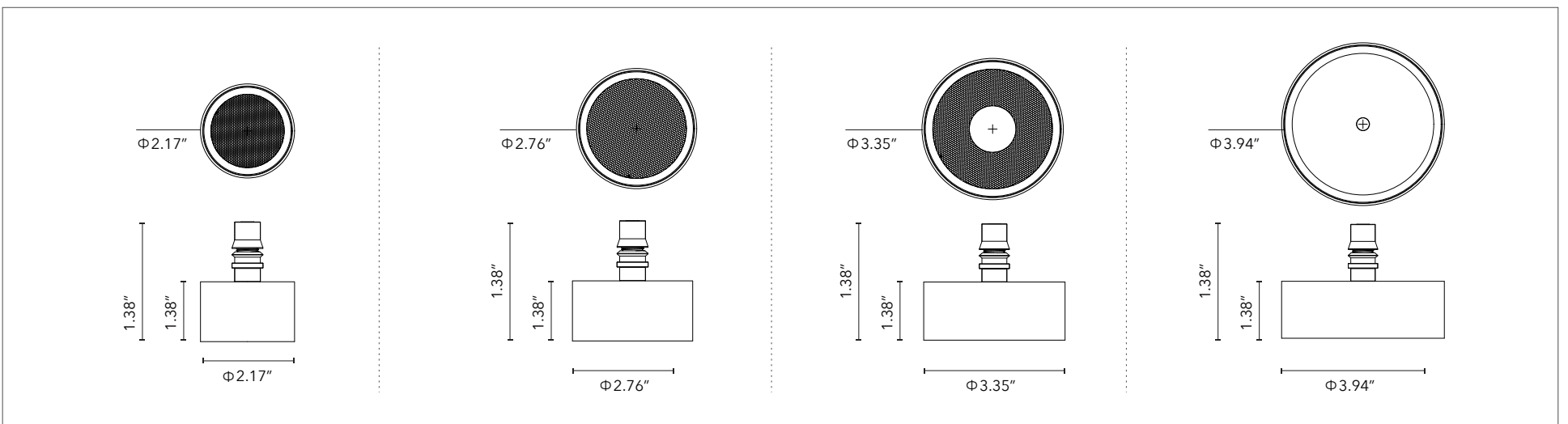
From precision spotlights to wide-beam and decorative luminaires, all forms share the same connector interface — allowing flexible changes in function and beam without modifying the installation base.

### SPECIFICATIONS

ORDER CODE EXAMPLE: SUN5-48V-80-35K-24D-DALI-BK-HC

MODEL	VOLTAGE	CRI	CCT	BEM	DIMMING	FINISH	FINISH
SUN5 5W (430lm)	48V 48VDC	80 80Ra	27K 2700K	15D 15 Degree	D10 0-10V	WH White	HC Honeycomb Black
SUN12 12W(1000lm)		90 90Ra	30K 3000K	24D 24 Degree	DALI DALI	BK Black	LS Linear Spread
SUN15 15W(1200lm)		35K 3500K	38D 38 Degree	ELV ELV / Phase	GD Gold	CB Cross Baffle	
SUN18 18W(1500lm)		40K 4000K	10*60D 10*60D	WLS Wireless / Bluetooth	RAL Custom Ral		
			TW Tunable White 2700K-6500K	30*60D 30*60D			
			WD Warm Dim 3000K-1800K				

\*Custom stem length is available upon request. Please contact the factory for details.



# UNI-POINT

## Recessed System

Project: \_\_\_\_\_ Type: \_\_\_\_\_ Qty: \_\_\_\_\_

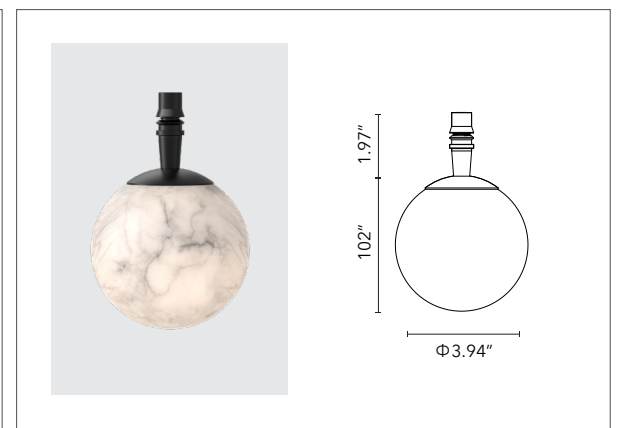
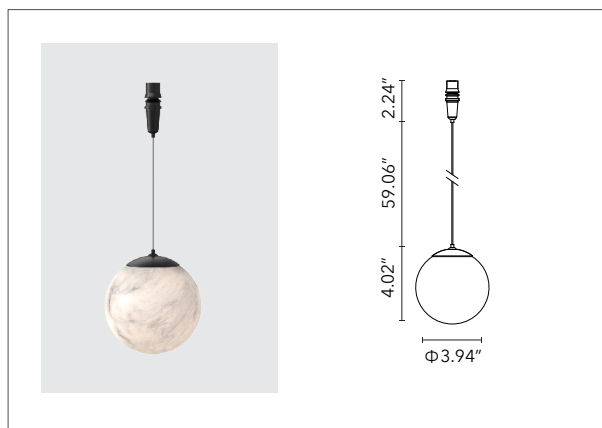
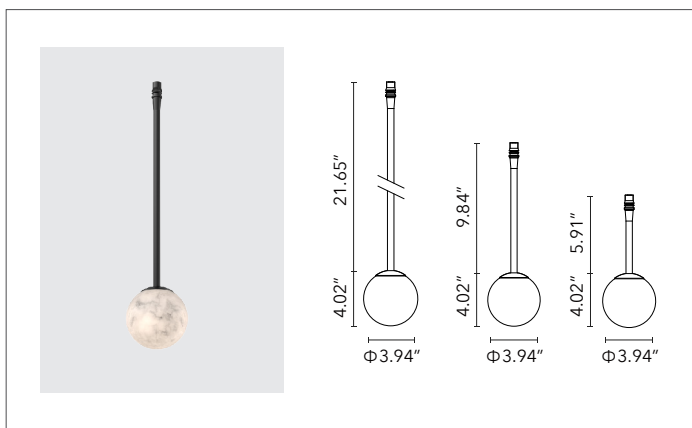
### SPECIFICATIONS

ORDER CODE EXAMPLE:G5-4"-48V-80-30K-360D-FG-ELV-BK-P

MODEL	SIZE	VOLTAGE	CRI	CCT	BEM	FINISHES	DIMMING
G5 5W(350lm)	4" 4in / 100mm	48V 48VDC	80 80Ra 90 90Ra	27K 2700K 30K 3000K 35K 3500K 40K 4000K TW Tunable White 2700K-6500K WD Warm Dim 3000K-1800K	360D 360 Degree	FG Frosted glass MA marble	D10 0-10V DALI DALI ELV ELV / Phase WLS Wireless / Bluetooth

FINISH	SUSPENSION	LENGTH CABLE
WH White	P Rod	XX" inches Specify in
BK Black	C Cable/wire	__X__X__
GD Gold		__X__X__
RAL Custom Ral		

\*Custom arm length is available upon request. Please contact the factory for details.



# UNI-POINT

## Recessed System

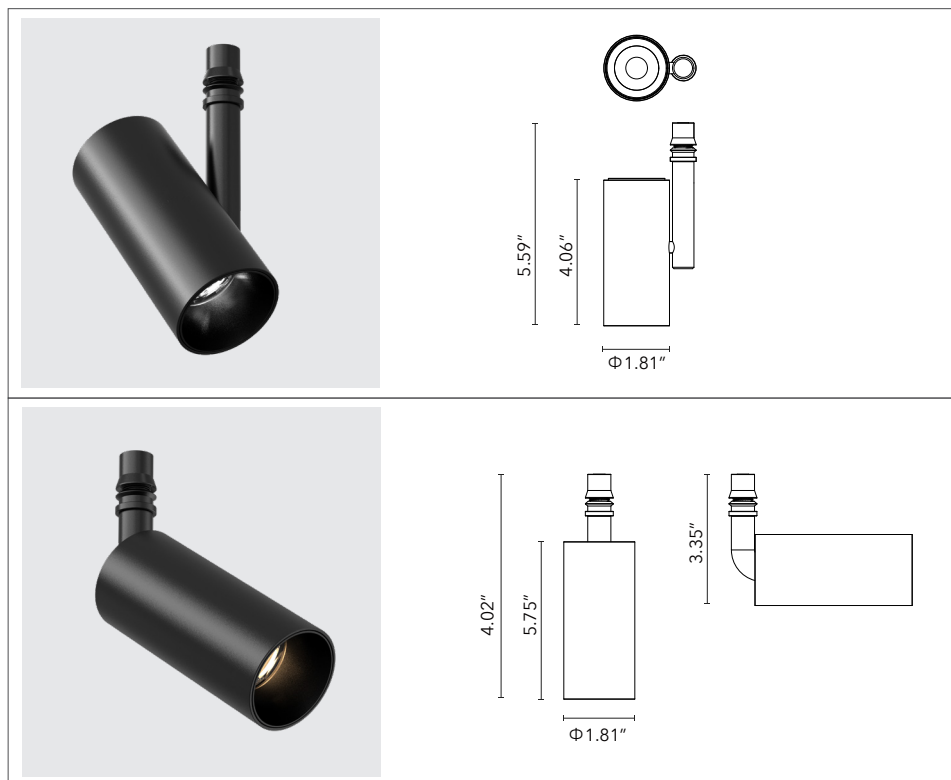
Project: \_\_\_\_\_ Type: \_\_\_\_\_ Qty: \_\_\_\_\_

### SPECIFICATIONS

ORDER CODE EXAMPLE: S10-A1-48V-90-35K-24D-DALI-BK-LS

MODEL	TYPE	VOLTAGE	CRI	CCT	BEM	DIMMING	FINISH	ACCESSORY
S10 10W(800lm)	A1 Arm on the side	48V 48VDC	80 80Ra	27K 2700K	15D 15 Degree 24D 24 Degree 38D 38 Degree	D10 0-10V	WH White	HC Honeycomb Black
	A2 Arm at the back		90 90Ra	30K 3000K		DALI DALI	BK Black	LS Linear Spread
				35K 3500K		ELV ELV / Phase	GD Gold	CB Cross Baffle
				40K 4000K		WLS Wireless / Bluetooth	RAL Custom Ral	
				TW Tunable White 2700K-6500K				
				WD Warm Dim 3000K-1800K				

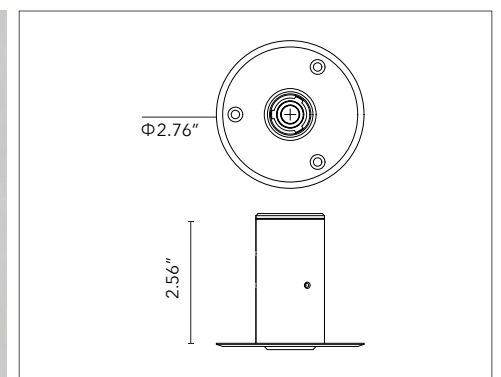
\*Custom arm length is available upon request. Please contact the factory for details.



### ACCESSORIES

#### SPECIFICATIONS

MODEL	VOLTAGE	FINISH
UPB Fixture base	48V 48VDC	BK Black



\*Each luminaire requires a compatible base, sold separately.

Bases will be automatically specified and billed by Bina based on the quantity of luminaires ordered.