

Profile Series

Project:	Type:	Qty:
-----------------	--------------	-------------



A highly versatile profile series of custom curved and straight shapes that can be curved to almost any radian and with little to no limitation on size.
 Can be illuminated from the top, bottom, top & bottom, inner and/or outer side of profile.
 A wide range of profile sizes from 1" to 6" (both in width & height).
 Pendant, ceiling / wall surface and recessed mounting options.
 High lumen packages (up to 150Lm/w).

A full range of CCTs available as well as Full Spectrum Standard finishes in white, black, silver, gold and custom RAL finishes.
 Triac/ELV/Phase, 0-10V, Dali, and Tunable dimming options.
 Emergency Backup options available.
 Built-in or external driver options. Decorative ceiling box can be provided.

Order Code

ORDER CODE EXAMPLE: RING-CIR-80"-PD-MP-A-UD-S2-27K-90-U55LMF/D55LMF-2C-D10-WH

SERIES	CHANNEL	SHAPE	DIMENSIONS	CORNER DETAIL
RING Ring shapes	Width X Height	ARC CIR ELP EYE OVL	Specify radius for half circles ___" (inches) Diameter OR ___" Radius ___" (inches) Diameter OR ___" Radius ___" (inches) Major Axis X ___" Minor Axis ___" (inches) Major Axis X ___" Minor Axis ___" Straight Run X ___" Radius (of ea end)	LEAVE BLANK IF RING
POLY Polygon shapes 3 or more sides		_S #of Sides <i>Ex.3S=3 sides</i>	___" (inches)X ___"X ___"X ___" etc <i>For irregular polygon shapes, specify the length of each straight run and angle of each corner</i>	#RD ___ R Rounded Conner Specify the number of radius/angle corners and the radius of each.
FREE Free form shapes (complex shapes)		F <i>Specify radius of all curved sections and lengths of all straight sections. A drawing is required</i>		#AC ___ Angled Conner Applies to ON POLY, FREE, MULTI and LINE shapes.
MULT Multiple shapes in shapes connected by special corners		IS CS	Single Shapes Connected Shapes <i>For Shapes in shapes, identify each shape and size Provide drawing or draw on sketch pad</i>	SC' ___ Special Corner Specify the corner code
LINE Linear shapes <i>Also simple linear shapes with curved sections</i>		LN LR	Linear Linear with radius sections ___" (inches)X ___" ___" Straight Run X ___" Radius (of each arc section)	RE Rounded Ends

INSTALLATION	DISTRIBUTION OF LIGHT	LENS	CCT	CRI	LUMENS
Mounting PD Suspended SF Surface RC Recessed Mouting type CC Center Canopy MP Multiple Points D Direct Mount S Stem Mount Cable/Stem Length A Aircraft Cable S Rigid Stem ___" (inches) ___" (inches)	DN Down Light. UP Up Light IN Inside Light OT Outside Light UD Up/Down light ² IO Inside/Outside light FL Frontlit BL Backlit FB Front & Back Light ³	D1 PC Diffused (Opal) S2 Soft Diffused ⁴ P1 Mico-prismatic ⁵ P2 Diffused Prismatic PDD Drop Diffused Lens <i>Lens drops 1.5" below profile</i> T1 Tucked Diffused Lens	27K 30K 35K 40K 50K RGB RGBW <i>Specify CCT of white chip</i> Tunable Dim to White Consult factory for desired CCT ranges	80 90 95 ___ ___	___ LmF (DN,UP, IN, OT Options) U ___ LMF/D ___ LMF (UD Option) ___ Lm Total Lumens <i>Example: 5000LM for entire fixture</i> Since S08 is highly customizable, the lumen package will be based on the channel size and power supply which ranges from 10w to 720w, For UD and FB, specify desired lumens per side

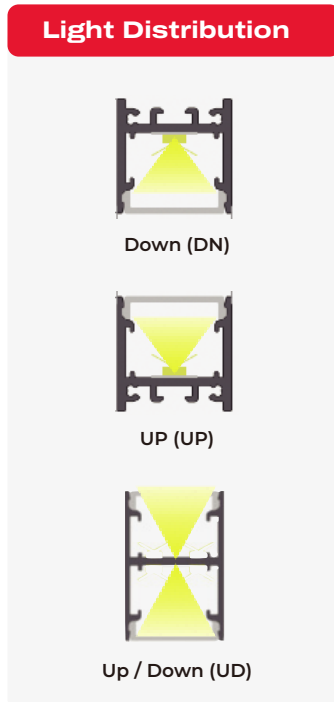
CONTROL	DIMMING	FINISH	EM BACKUP	OPTIONS
ForUD, IO, FB options 1C 1 circuit 2C 2 circuit	D10 0-10V ELV Triac / ELV DAL Dali DMX DMX NON Non Dim	WH White BK Black SV Silver 2T# ⁶ Two Tone Finish RAL# ⁵ Power Coat RAL # BA# ⁵ Brushed Anodized Finish SB# ⁶ Sandblasted Anodized Finish MW# ⁶ Wood Grain Finish CSF Custom	EM	Acoustic Felt options Felt Thickness AC12 12mm (Standard) ACO6 6mm AC09 9mm AC15 15mm Special Baffle Option Baffled Options B ___ Baffled ⁷ 15°/24°/38°/50° 40°/40°/60°/60°/ 35°x70° Light Distribution IN Inner Lit DN Direct Down Cell appearance RR Round look SS Square look OB Oblong look Felt Colors BI# Refer to Felt color Board for color number Logo Option LOGO Logo can be laser cut into the felt. Baffle Color BK Black WH white For baffle and lens combo, consult factory

¹See spec sheet for special corner
²Choose lens for each distribution
³Choose lens for each distribution
⁴Only for profiles <50mm (40% Transmittance)
⁵Can see lamp image
⁶Specify finish code. For two tone finishes, specify inside color and outside color
⁷Specify beam option after "B"
⁸Specify beam option after "B"

Channels

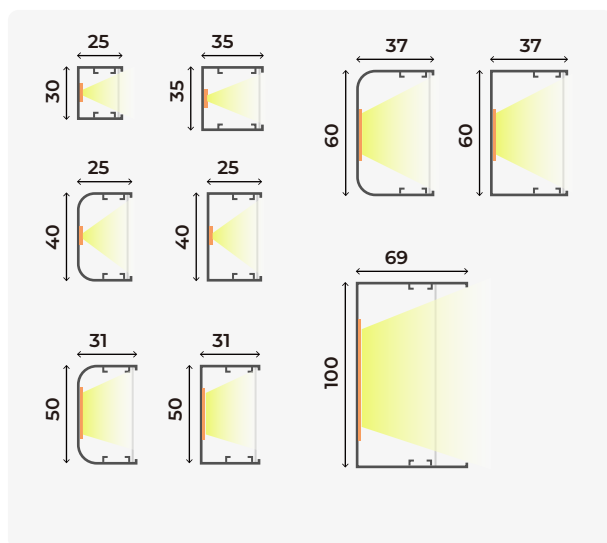
Channel Part Number		
SIZE	Width	Height
.98"	25	25
1.38"	35	35
1.57"	40	40
1.96"	50	50
2.36"	60	60
3.15"	80	80
3.54"	90	90
3.93"	100	100
4.72"	120	120
5.90"	150	150

*Not all width and height combination will be available as a standard offering and may require a new mold. A new mold fee will apply. Please inquire with the factory.



Inside OR Outside Distribution	
30x25	35x35
40x25	S40x25
50x31	S50x31
60x37	S60x37
100x60	

Inside AND Outside Distribution	
50x50	



IN/OT Profiles are only offered in these distributions

Project: _____ Type: _____ Qty: _____



Specify the preferred width and height. Example: for 1" wide x 2" high, you would use channel p/n 2550. For 3" wide by 1" high, channel p/n is 8025.

The factory will confirm that the selected channel width & height will work with the overall parameters of the project (based on the combination of shape, direction of light, mounting and total lumen package). In cases where the selected "combinations" do not work, a "next best" option will be offered.

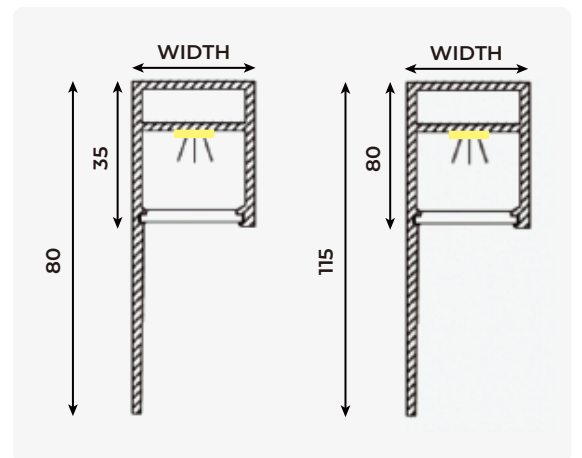
Channels that are 1.6" in height and above, the driver can be integral.

Consult factory for custom sized channels.

For designs where additional flange is desired, specify Extra Flange profile size. Please indicate if the flange will be on the inside of the curve or outside of the curve.

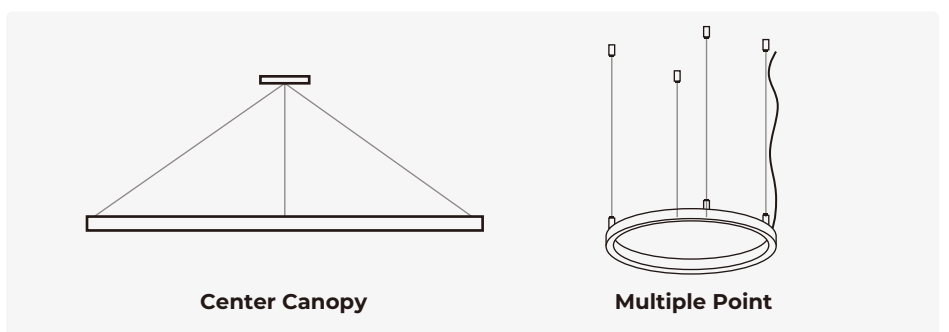
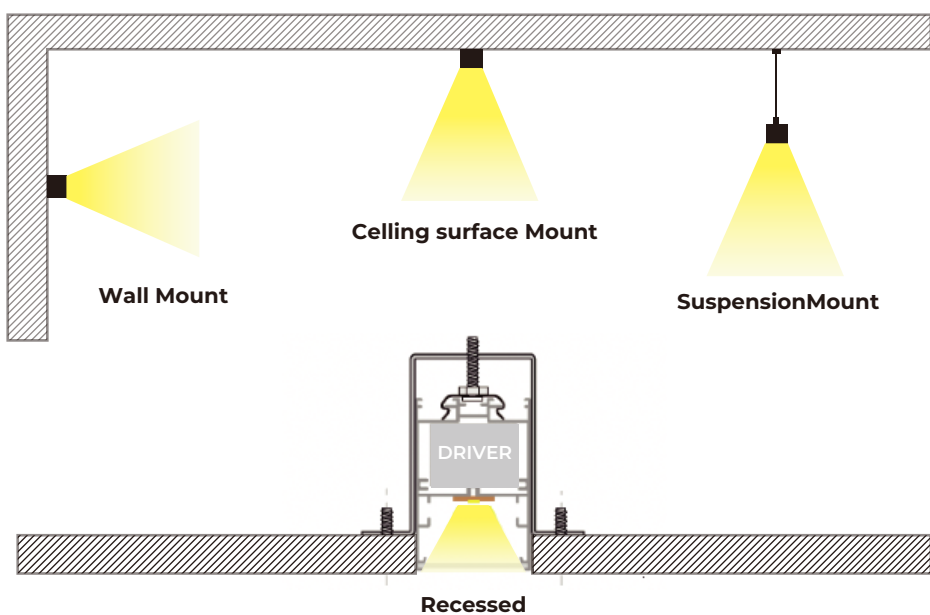


"XF" Extra Flange Only inside (I) or Outside (o) curve	
25	80XF
35	115XF
40	
50	
60	
80	



To specify an inside curve use "I" and "O" for outside curve after "XF". Example, 2580XF I or 25115XF O

Mounting Options



Center canopy finish can be specified to match the ceiling or profile.

Consult factory for custom canopy sizes and shapes.

Integral or remote driver options available.

All drivers are universal voltage: 120V-277V

Dimmable from 100% - 1% with 0-10V dimming control.

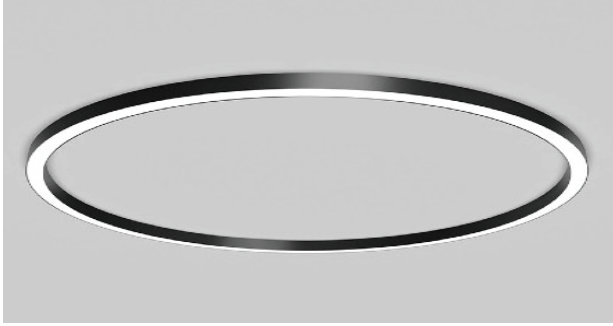
Emergency backup: 1.5hr @ 30% of light output

Project:

Type:

Qty:

RINGS



Circle



Oval



Ellipse



Ring with extra flange



Inside and Outside light



Ellipse with angled corner - EYE

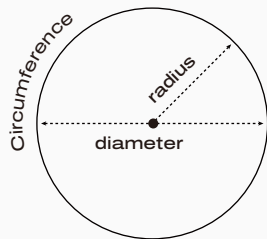


Add a touch of color

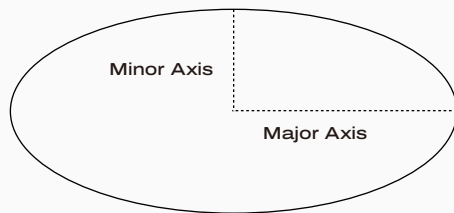


Specify 2-Tone Finish

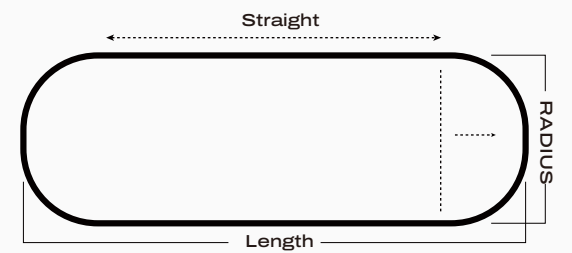
How to measure:



For a full circle, specify the diameter.
For circles that are less than 360, specify the radius.



For an ellipse, specify the minor axis radius and major axis radius.



For an oval, specify the straight lengths and the radius of the curved ends.

Project:	Type:	Qty:
----------	-------	------

POLYGONS

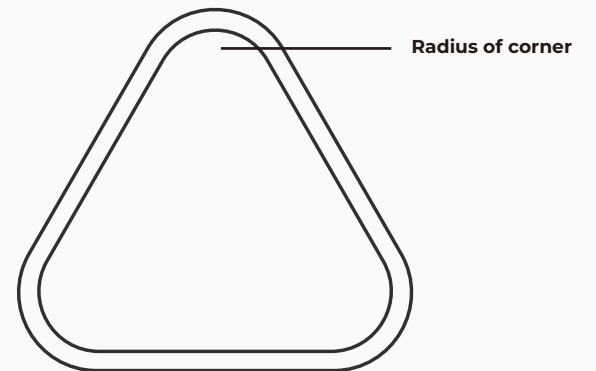
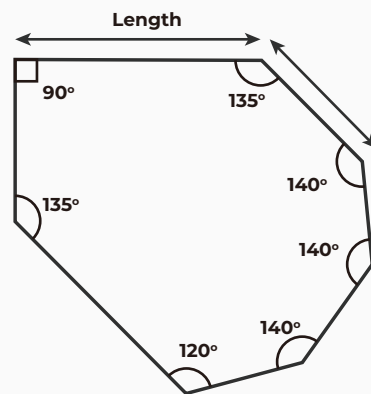


How to measure:

For regular polygon, specify the length of each straight run.

For irregular polygon, specify the radius of all corners and lengths of straight runs.

For polygons with rounded corners, specify the length of the straight runs and radius of the rounded corner



Project:	Type:	Qty:
----------	-------	------

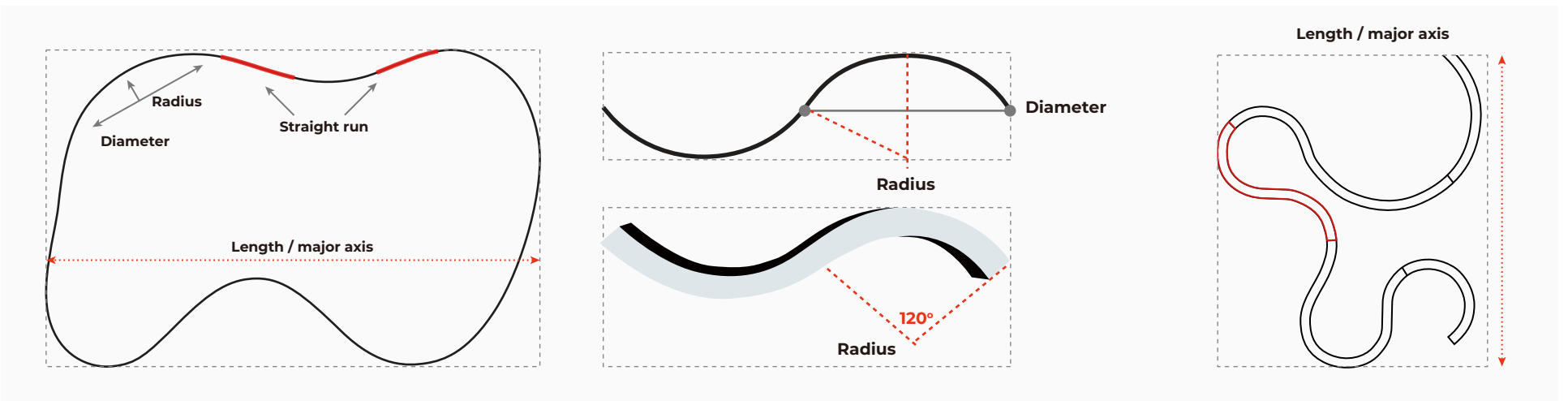
FREE STYLE



How to measure:

Break the shape into segments or common shapes, identify each curved, straight and angled segments by (radius/diameter, length, and/or degree of angle).

A drawing or sketch is required. CAD files appreciated.

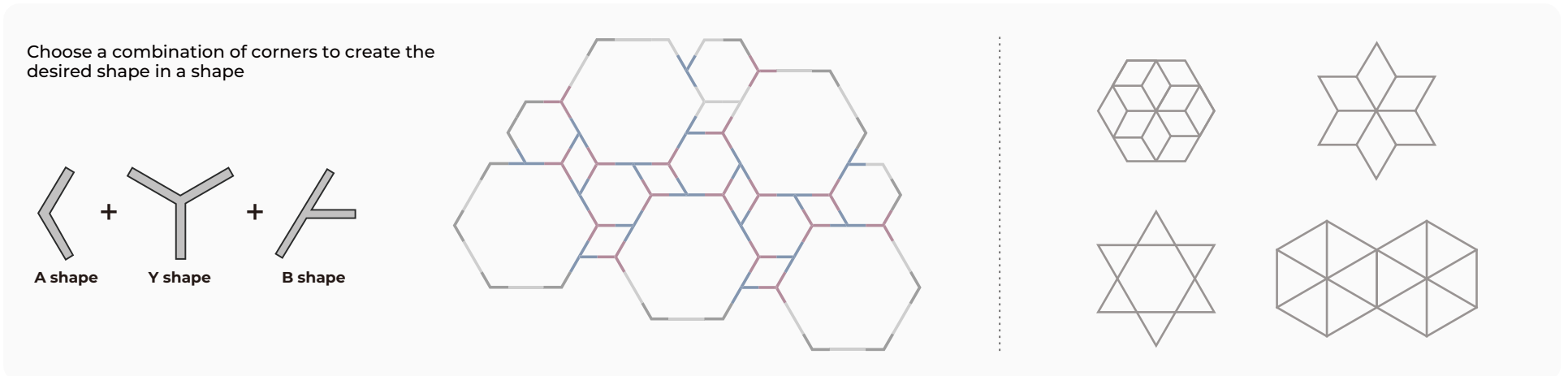
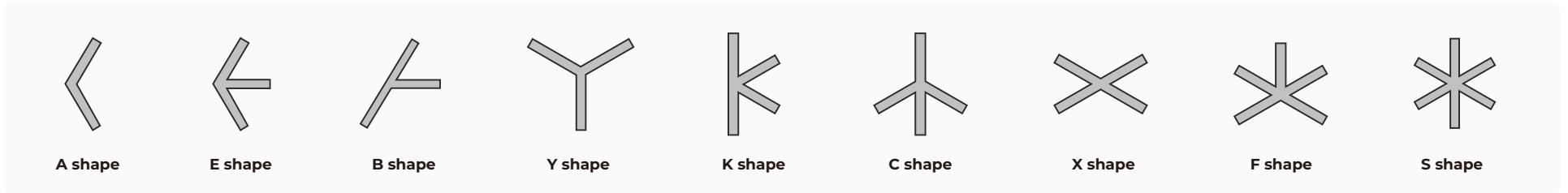


Project:	Type:	Qty:
----------	-------	------

MULTI



(Optional) Corner options for creating shapes within shapes that intersect



How to measure:

For connected shapes, specify the corner used to connect each straight run or specify the length of straight run and the angle of each corner.

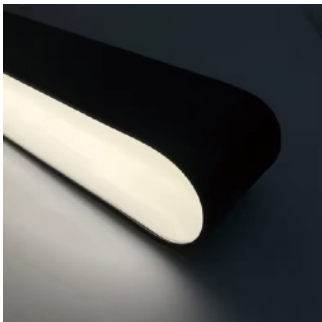
For shapes in shapes that are not connected, specify each individual shape and size.

For free style shapes in shapes, refer to Free Style on how to measure. If the shapes are connected, please specify each connection point and the degree of the angle and/or radius.

A drawing or sketch is required. A CAD drawing is greatly appreciated.

Project:	Type:	Qty:
----------	-------	------

LINE



Rounded Ends

Available profile sizes:

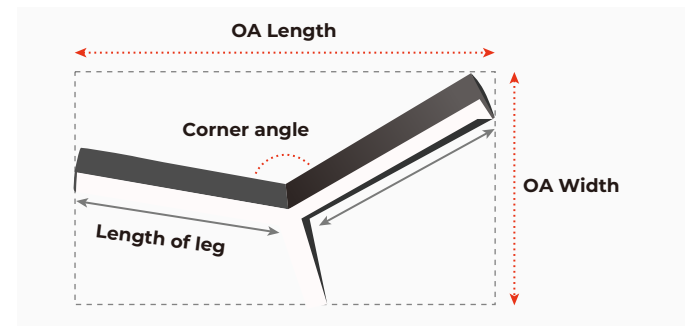
4280 6480 8080

How to measure:

For LINE shapes that will use one of the above shape examples, specify the shape code and the length of each linear leg.

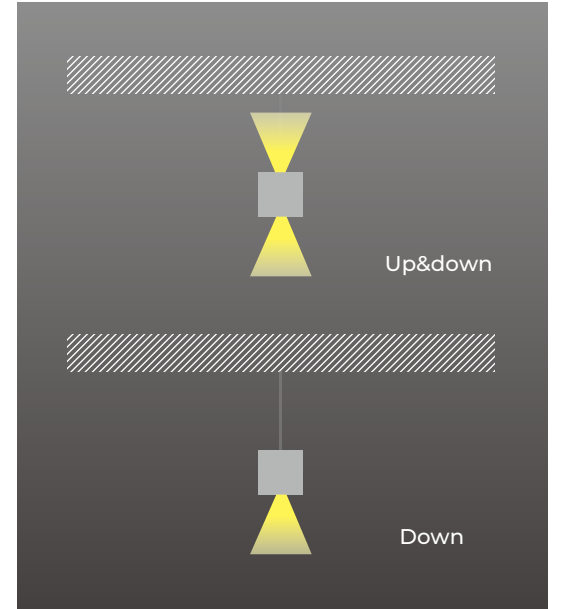
For all other LINE shapes, specify the length of each linear leg and angle of each corner. Specify the overall length and width.

A drawing or sketch will be required.

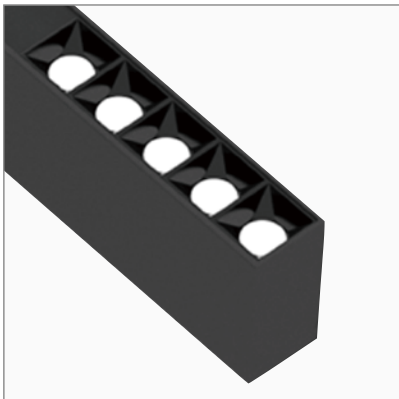


Project:	Type:	Qty:
----------	-------	------

BAFFLED



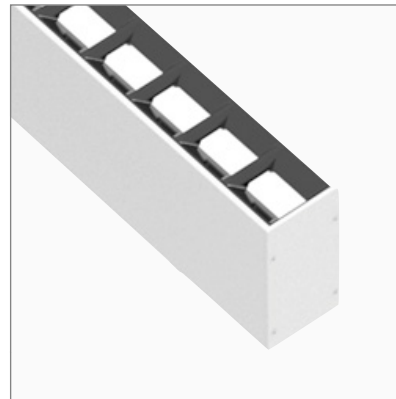
Baffle options



Baffled Round



Baffled Square



Baffled Oblong

Acoustic Options

Project:	Type:	Qty:
----------	-------	------



ACOUSTIC MATERIAL

Available thickness: 9-12mm / 0.35"-0.47"

Our acoustic panels are composed of 100% polyethylene terephthalate (PET), with at least 50% sourced from post-consumer recycled content. This material is moisture-resistant, environmentally friendly, and free from added chemicals, binders, adhesives, or dyes.

ACOUSTIC PERFORMANCE

The sound absorption performance of each fixture will vary depending on its installation method, mounting type, and spatial configuration.

Noise Reduction Coefficient (NRC): 0.8

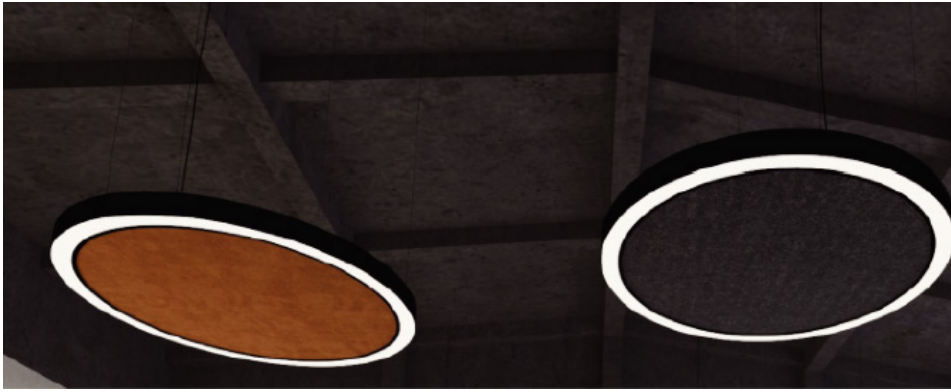
NRC is a standard rating used to measure the sound absorption capability of flat materials. It represents the average sound absorption at the frequencies of 250Hz, 500Hz, 1000Hz, and 2000Hz.

CARE & MAINTENANCE

The surface can be cleaned using a soft, lint-free cloth or a vacuum cleaner to remove dust and maintain appearance.

Acoustic Options

Project:	Type:	Qty:
----------	-------	------



Down Light Distribution



Inside Light Distribution

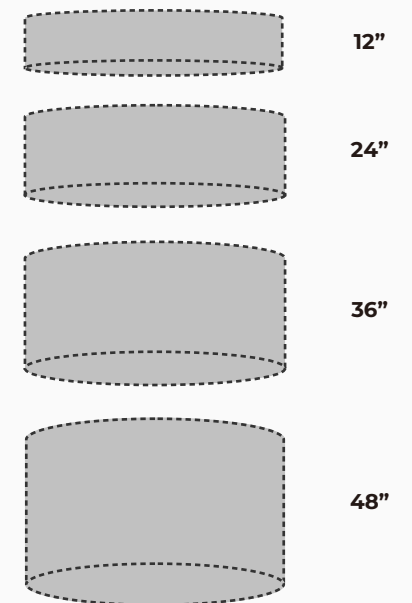


***Rings are used as an example. Almost all shapes are available with acoustic options**

ACOUSTIC BOARD/FELT COLORS



Customized Acoustic Board Height



Standard felt thickness is 12mm

F(Hz)	125	250	500	1000	2000	4000
12mm Sound absorption	0.23	0.57	0.75	0.82	0.68	0.62

ASTM-E84/UL723
FSI-30 / SDI-450
Meets Class B requirements

Finish Options

Project:	Type:	Qty:
----------	-------	------

STANDARD POWER COAT FINISH



Matte White



Matte Silver



Matte Black



Black



Aluminum

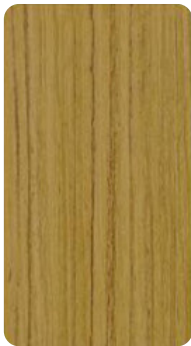
BRUSHED ANODIZED FINISH

WOOD GRAIN FINISH

All wood grain finishes are subject to availability and some may require an MOQ.



WM-S025



WM-S027



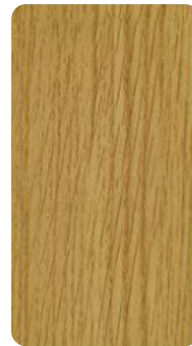
WM-S028



WM-S029



WM-S030



WM-S031



WM-S032



WM-S036



WM-S037



WM-S038



WM-S039



WM-S040



WM-S041



WM-S042



WM-S043



WM-S044



WM-S045



WM-S046



WM-9208



WM-9021



WM-1910



WM-9238



WM-1939

Sketch Pad

Project:	Type:	Qty:
----------	-------	------

Use the below sketch pad to sketch out the desired shape.

A drawing or sketch will be required for all non-basic shapes and designs.

The factory will produce drawings for all "sketched" shapes/designs.

