









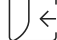


Project: _____ Type: _____ Qty: _____

-  A highly versatile series of custom solid shapes.
-  Can be illuminated from the front, back or both sides of the shape.
-  A wide range of profile sizes.
-  Pendant, ceiling or wall surface and recessed mounting options.
-  High lumen packages (up to 150lm/w).
-  Power ranging from 10W - 794W.
-  A full range of CCTs available as well as Full Spectrum.
-  Standard finishes in white, black, silver, gold and custom RAL finishes.
-  Triac/ELV/Phase, 0-10V, Dali, and Tunable dimming options.
-  Emergency Backup options available.
-  Built-in or external driver options.

Order Code

ORDER CODE EXAMPLE: S-08SOLID-100-HF-RC-3.2"x4.1"-SF-S-3-FB-P3-50K-90-DAL-BK-EM

SERIES	CHANNEL	SHAPE	CORNER DETAIL	SIZE
S-08 SOLID	Channel Height	Round Shapes		
	80 3" High	RD Round	RC Rounded Corner	___" Round Shapes
	100 4" High	HF Half Round ²	AC Angled Corner	___" X ___" Poly Shapes (Width x Length)
	— Custom specify in inches	CD Cloud		___" Other Shapes (overall size)
	FL Flange ¹	EP Ellipse		___" Special Shapes detail size on drawing or sketch
	LP Channel Lip ¹	EY Eye		
		Polygon Shapes		
		TR Triangle		
		SQ Square		
		RT Rectangle		
		DI Diamond		
		HX Hexagon		
		Other Shapes		
		FS Fish		
		AM Amoeba		
		BO Boomerang		
		MN Moon		
		SS Special Shapes sketch or submit drawing		

INSTALLATION				DISTRIBUTION OF LIGHT	LENS	CCT
Mounting	Mouting type		Cable/Stem Length			
PD Suspended	A Aircraft Cable	CC Center Canopy	___" (inches)	DN Direct Down/Frontlit	D1 PC Diffused (Opal)	27K 2700K
	S Stem	MP Multiple Points		UP Indirect UP/Backlit	P1 Mico-prismatic ⁴	30K 3000K
SF Surface	D Direct Mount			FB Front & Backlit ³	P3 Diffused Prismatic	35K 3500K
	S Stem Mount					40K 4000K
RD Recessed Drywall						50K 5000K
RG Recessed Grid						TW Tunable White 2700K-6500K
						WD Warm Dim 3000K-1800K
						RGB N/A for 32R
						RGBW ___specify W

CRI	DISIRED LUMENS	DIMMING	FINISH	EMERGENCY BACKUP	Power / Lumen Range
80 80	___Lm/F Example: 100 = 100 lm/f OR Total Lumens	D10 0-10V	WH White	EM	Standard: 10W - 200W
90 90	___LM Example: 5000LM for entire fixture	ELV Triac/ELV	BK Black		Total Lumens: 1000lm - 20,000lm
95 95	Since S08 is highly customizable, the lumen package will be based on the channel size and power supply which ranges from 10W to 720W. For FB, specify disired lumens per side.	DAL Dali	SV Silver		Higher wattage drivers available up to 720W
		DMX DMX	GD Gold		Efficacy (Delivered): 89lm/w - 100lm/w
		NON Non Dim	RAL RAL#		Dimmable from 100% - 1% with 0-10V dimming control
			SPC Special Finish		Emergency backup: 1.5hr @ 30% of light output

1. If a flange or channel lip is desired, specify after channel height (example: 80FL or 80LP)
2. Specify radius for halfrounds
3. Also Up/Down
4. Can see lamp image
5. For UD/FB, specify lumens per side

Project:

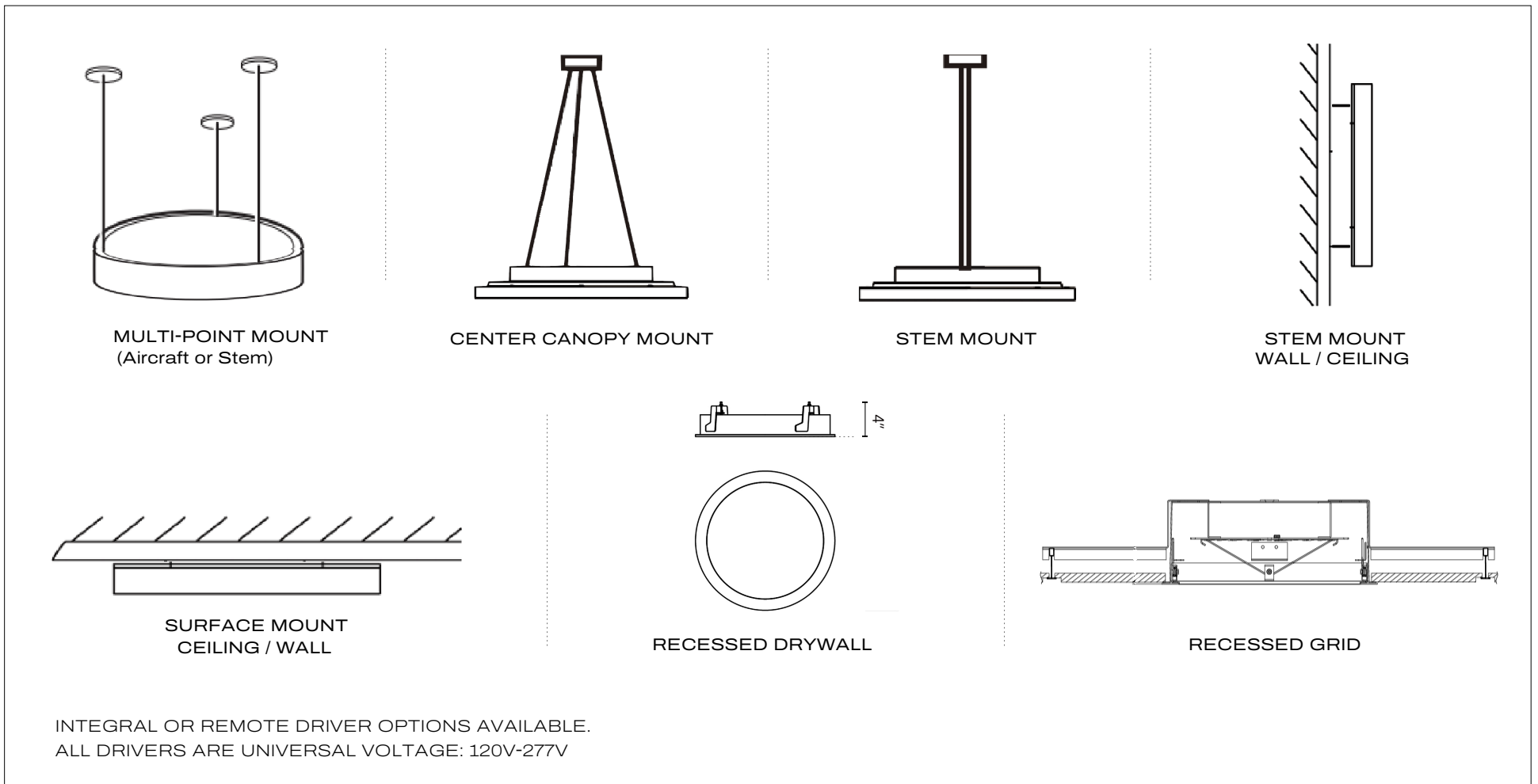
Type:

Qty:

CHANNELS



MOUNTING OPTIONS



Project:

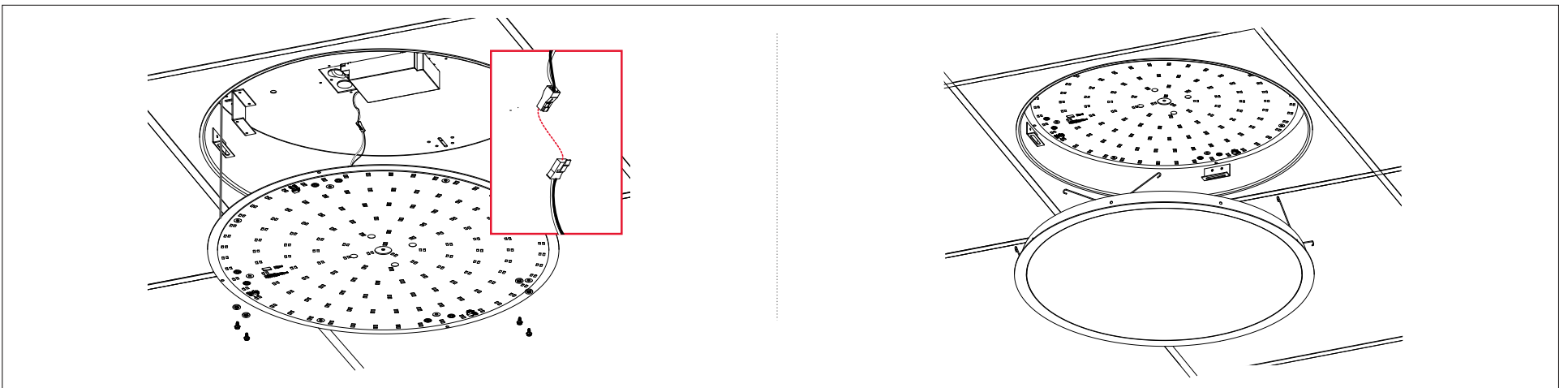
Type:

Qty:

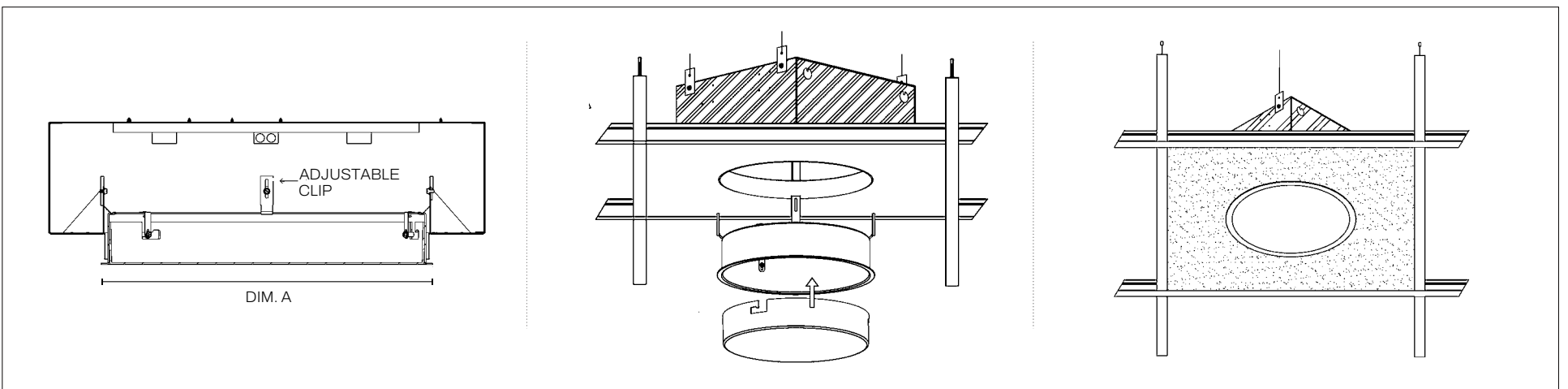
RECESSED



Grid bar mounting A



Grid bar mounting B



Recessed drywall mounting

