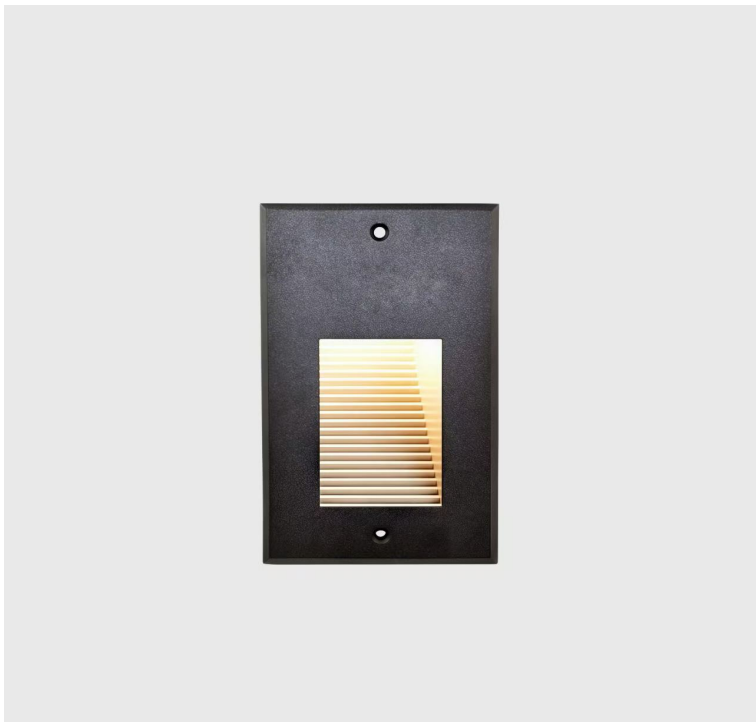


Project:	Type:	Qty:
----------	-------	------



FEATURES

A refined architectural outdoor projector engineered for premium step lighting applications.

Powered by CREE COB or XP-E/G LEDs, it ensures consistent color performance and smooth, uniform illumination.

The robust thermal system, built with ADC12 die-cast aluminum, guarantees long-term reliability, maintaining over 80% lumen output at 50,000 hours.

Constructed with stainless steel elements and 4mm tempered glass (>92% light transmission), the fixture offers both durability and visual clarity.

A range of beam angles and integrated dimmable driver options provide flexibility for diverse lighting designs.

ORDER CODE

ORDER CODE EXAMPLE: RECON-171-FS-80-35K-120D-24V-D10-WH

MODEL	SIZE/WATTAGE	FRONT COVER	CRI	CCT	BEAM ANGLE	INPUT VOLTAGE	DIMMING	FINISH
RECON	171 6.7 1.5W	FS Flat Series	80 80Ra	27K 2700K	120D 120 Degree	12V 12V DC	ELV Triac /ELV	WH White
		VS Visor Series	90 90Ra	30K 3000K		24V 24VDC	D10 0-10V	GR Grey
				35K 3500K			DALI DALI	
				40K 4000K			DMX DMX512	
				RGB N/A for 32R				

Power Supply- Order separately

For Non dim, 0-10V/ELV dim, drivers are available in single and multi-circuit configurations, with capacities ranging from **30W to 384W**



*FOR DALI OR DMX CONTROL OPTIONS PLEASE CONSULT THE FACTORY.
DRIVERS BY OTHERS MUST BE APPROVED BY BINA FOR USE WITH OUR FIXTURE. IF DRIVER IS NOT APPROVED BY BINA THIS WILL VOID FIXTURE WARRANTY

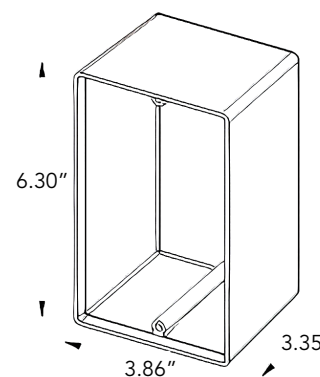
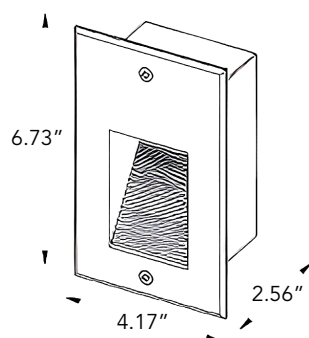


Flat Series



Visor Series

DIMENSION



Project:

Type:

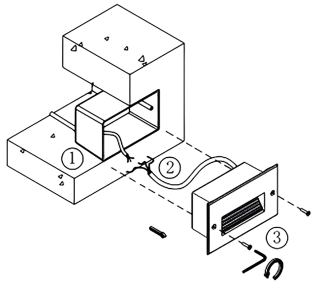
Qty:

SAFETY INSTRUCTIONS BEFORE INSTALLATION

1. Improper installation may result in injury, electric shock, or product damage. Installation must be performed by qualified personnel only.
2. Operating temperature: -20°C to +55°C. Do not install in flammable, explosive, or high-impact environments. Avoid dusty, humid, or corrosive environments.
3. Input voltage: AC 120–277V, 50/60Hz (US version). Voltage tolerance: ±10%. Wiring design must consider load capacity, voltage drop, and power distribution.
4. Disconnect power before installation. Check all wiring connections before energizing. Ensure proper ventilation and heat dissipation. Do not install in contact with thermal insulation. Do not bend, pull, or damage cables.
5. Install the driver in a dry, well-ventilated location. Total load must not exceed driver capacity. Recommended driver capacity is at least 120% of total load. Reduce load when installed in waterproof junction boxes, if applicable.
6. Disconnect power before maintenance or servicing. Do not disassemble or modify the fixture. Maintenance must be performed by qualified personnel only.
7. In case of abnormal operation, disconnect power immediately and contact qualified service personnel.

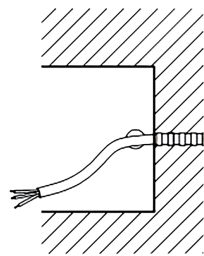
INSTALLATION INSTRUCTIONS

1. Install sleeve flush with wall and route cable through before fixing.
2. Connect cable with sufficient slack for maintenance.
3. Insert fixture and secure with side set screws.



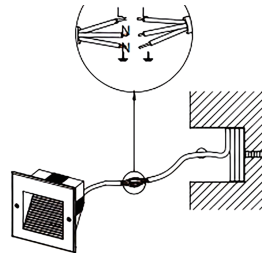
STEP 1 ▶

Put the sleeve into the wall, the side should be on the same level with the wall surface. Cable needs to go through the sleeve.



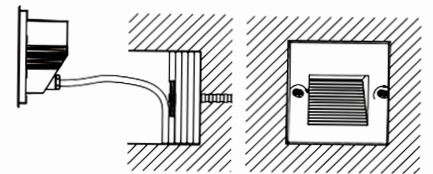
STEP 2 ▶

Connect the cable with the light, keep enough length for the maintain.



STEP 3 ▶

Put the light fixture into the sleeve and fix the fixture light with sleeve by screw on two sides of cover.



CONNECTION DIAGRAM

