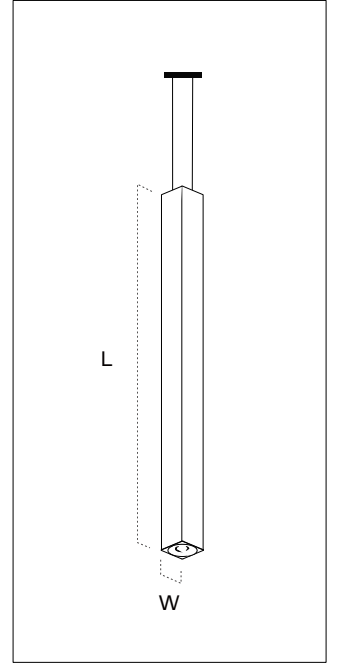


Project: _____ Type: _____ Qty: _____



FEATURES

Modular square system with flexible configurations

Multiple widths, lengths, and output options (REMOVE THE PLURAL)

Compatible with Mono-point, surface canopy, and magnetic track mounting for versatile installation

Designed for Seamless integration across diverse applications

Precision optical control with uniform illumination

Designed wite versatile in mind

Order code

ORDER CODE EXAMPLE: QUADRA-S1-2-5-D-ST-35K-36D-OB-AC-D10

SERIES	TYPE	WIDTH	LENGTH	LIGHT DISTRIBUTION	WATTAGE
QUADRA	M	Magnetic base	2 2inch / 1.97*1.97"	D	ST
	M	Mono point	3 3inch / 3.54*3.54"	D2	D#D#
	S1	Surface mount with standard deep canopy	4 4inch / 4.13*4.13"		#= power
	S2	Surface mount with flat canopy			
				5 5ft / 59.06" 6 6ft / 78.74" C# Custom length #=feet	

CCT	BEAM ANGLE	FINISH	SUSPENSION	DIMMING
27K 2700K	20D 20 Degree	OW Opal diffuser with white hardware	AC# With aircraft cable, specify length	D10 0-10V
30K 3000K	36D 36 Degree	OB Opal diffuser with black hardware	RS# With rigid stem, specify length	DALI DALI
35K 3500K	48D 48 Degree	OC# Opal diffuser with custom finish hardware	##=inches	WLS Wireless/Bluetooth
40K 4000K	60D 60 Degree	#=specify color		ELV EL/Phase
TW Tunable White 2700K-6500K	Data for direct downlight only			
WD Warm Dim 3000K-1800K				
RGB N/A for 32R				
RGBW ___specify W N/A for 32R				

Project: _____ Type: _____ Qty: _____

SPECIFICATIONS 4" Profile (105 x 105 mm)

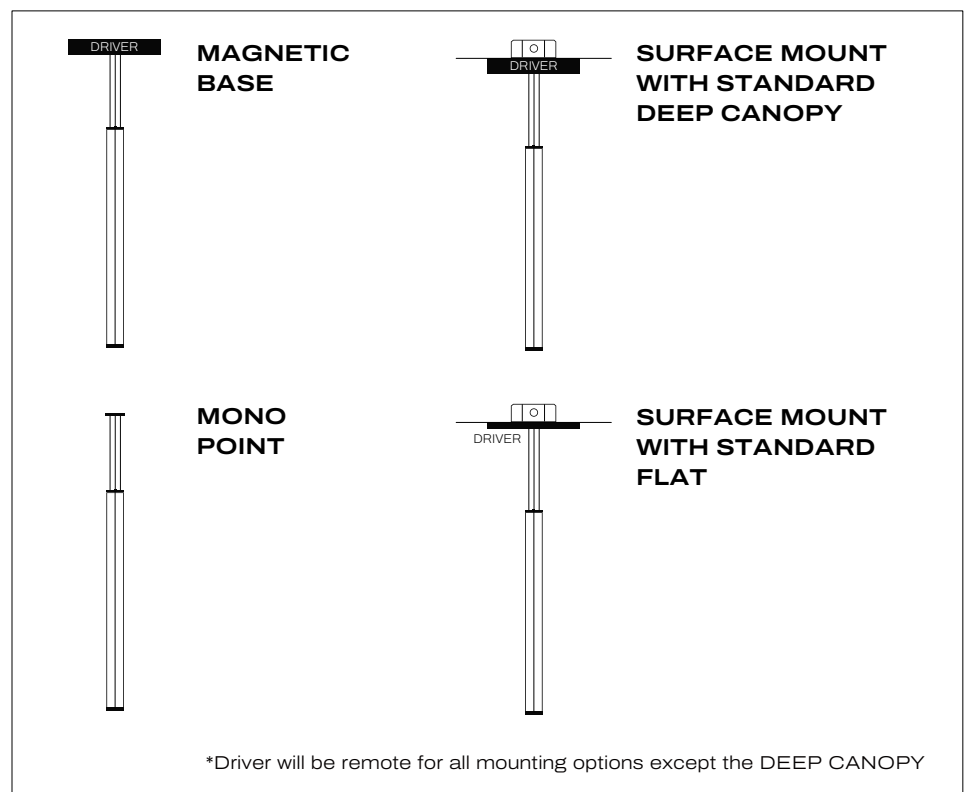
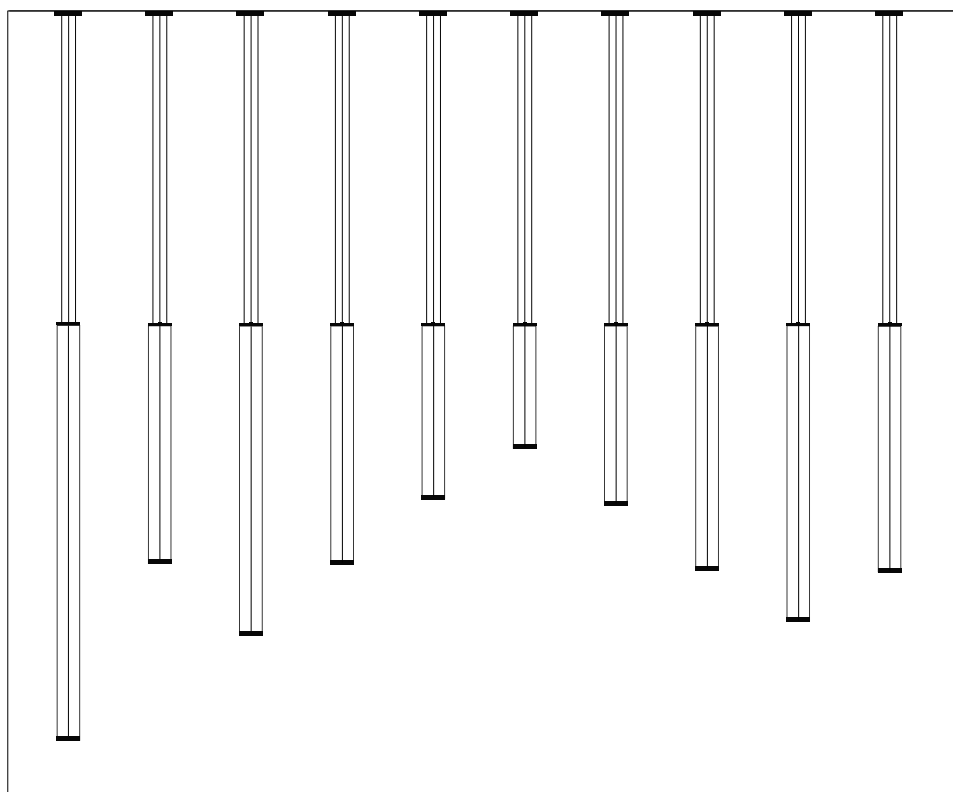
DIFFUSE ILLUMINATION (ALL-SIDES)

Length	Power (W)	Lumen Output (lm)
2 ft (23.62")	20	1000lm
3 ft (35.43")	30	1500lm
4 ft (47.24")	40	2000lm
5 ft (59.06")	40	2000lm
6 ft (78.74")	40	2000lm

DIRECT DOWNLIGHT

Length	Power (W)	Lumen Output (lm)
2 ft (23.62")	10	70lm
3 ft (35.43")	15	1050lm
4 ft (47.24")	20	1400lm
5 ft (59.06")	30	2100lm
6 ft (78.74")	40	2800lm

CONFIGURATION OPTIONS



LIGHT DISTRIBUTION

