

Project:

Type:

Qty:



The lineaPro, Mini is an IP66-rated, high-performance Ac line voltage luminaire designed for precise exterior facade-illumination. Its slim profile makes it ideal for tight spaces where installation area is limited.

IP66-rated

multiple choice

slim profile

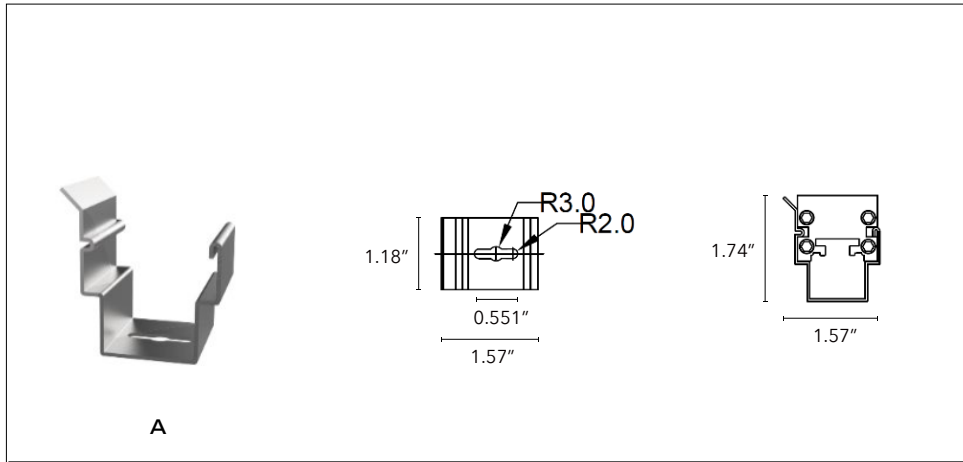
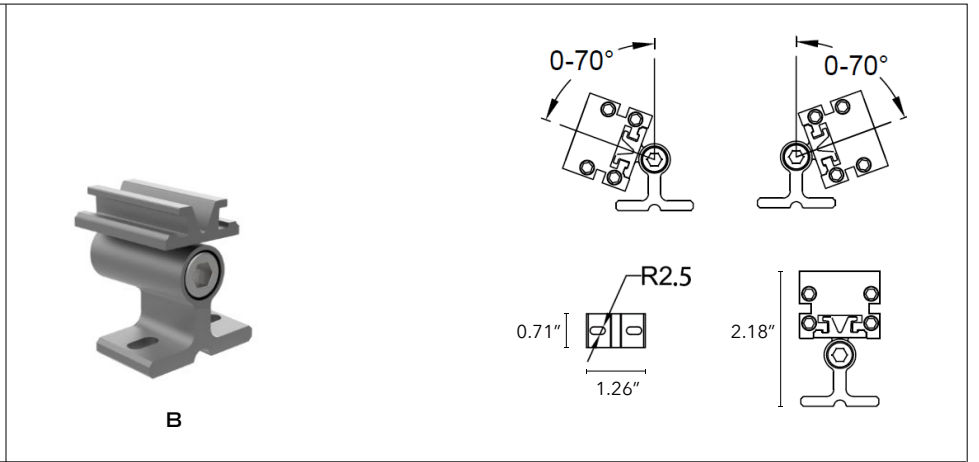
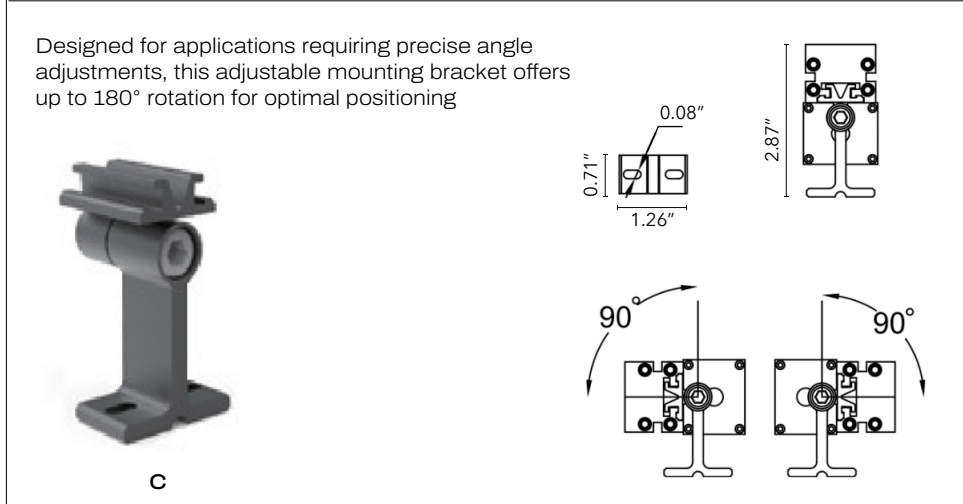
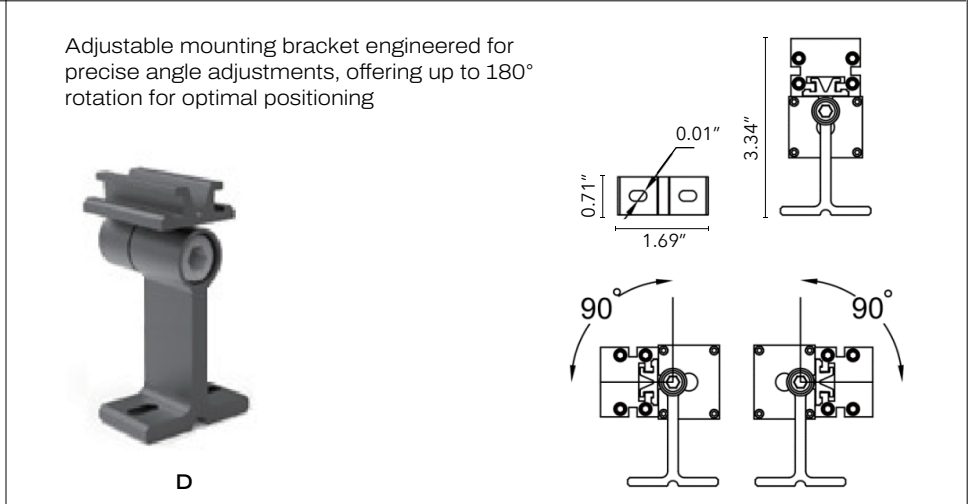
Order Code

ORDER CODE EXAMPLE: LPMINI-36W-35K-30D-B-D10-120V-MA*

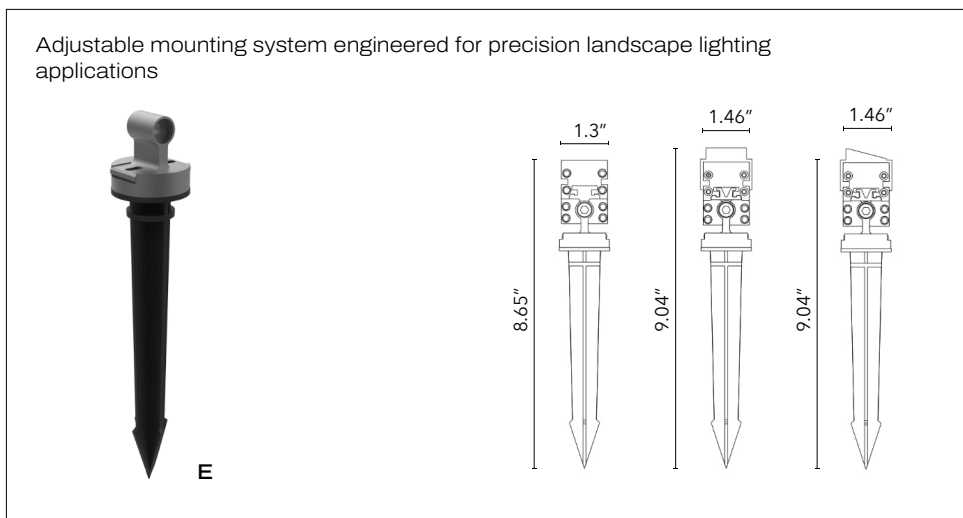
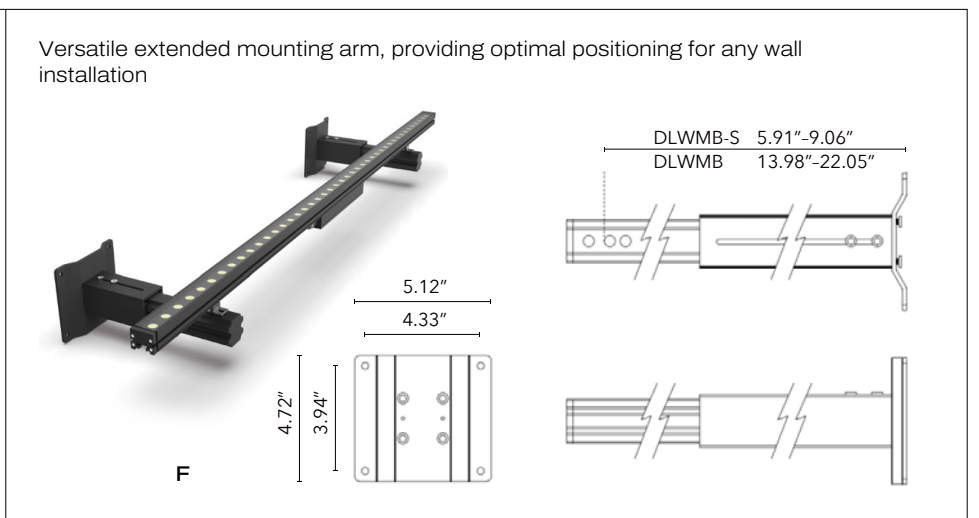
SERIES	SERIES	CCT	BEAM ANGLE	FINISH	DIMMING	FINISH	ACCESSORIES
LP-MINI	11.81" (9W)	27K 2700K	20D 20 Degree	B Black	OO ON/OFF	120V 120V Only	MA* Mounting accessories, specify option(A-F) AG* Anti-glare accessories, specify option A or B.
	23.62" (18W)	30K 3000K	30D 30 Degree	W White	D10 0-10V	UNV 100-277V	
	47.24" (36W)	35K 3500K	45D 45 Degree	GR Grey	DAL DALI	TRI TRIAC	
		40K 4000K	25D*40D 25*40D Degree				
		50K 5000K	30D*50D 30*50D Degree				
		57K 5700K					
		65K 6500K					
		TW Tunable White 2700K-6500K					
		WD Warm Dim 3000K-1800K					

DIMENSIONS & VIEWS

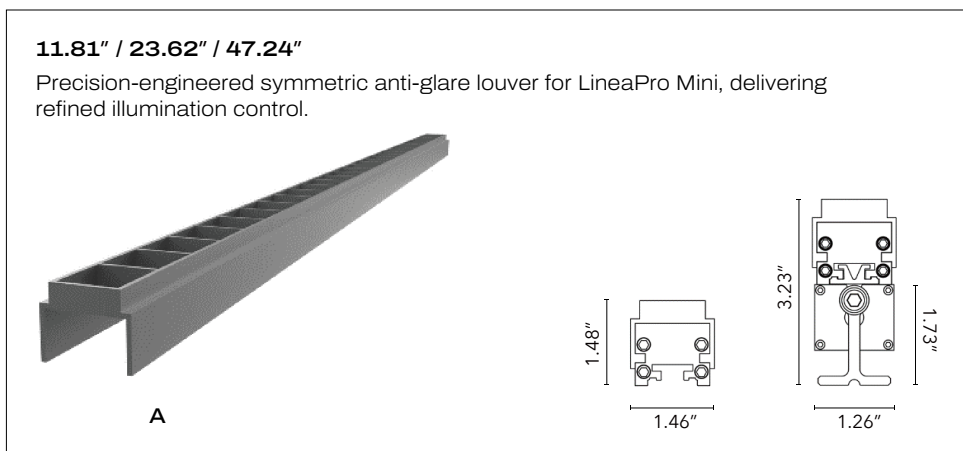
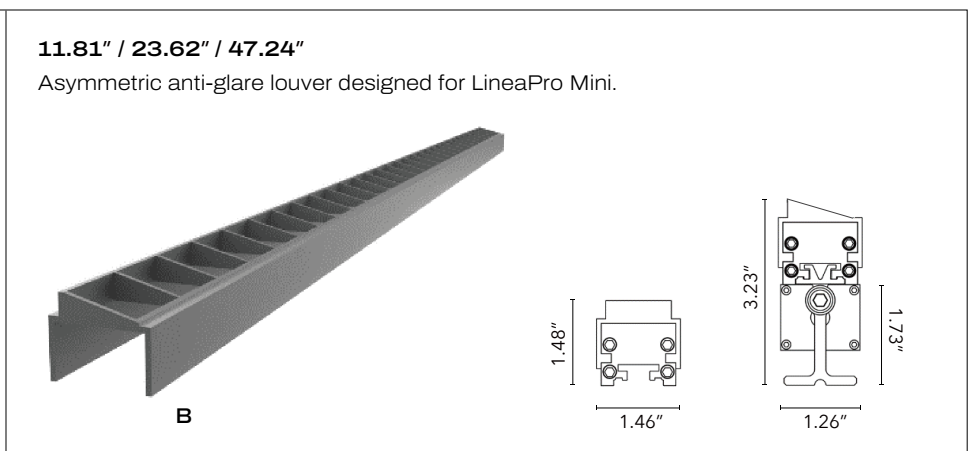
Mounting Accessories (no additional cost), select type

 <p>A</p>	 <p>B</p>
<p>Designed for applications requiring precise angle adjustments, this adjustable mounting bracket offers up to 180° rotation for optimal positioning</p>  <p>C</p>	<p>Adjustable mounting bracket engineered for precise angle adjustments, offering up to 180° rotation for optimal positioning</p>  <p>D</p>

Mounting Accessories (order separately)

<p>Adjustable mounting system engineered for precision landscape lighting applications</p>  <p>E</p>	<p>Versatile extended mounting arm, providing optimal positioning for any wall installation</p>  <p>F</p>
--	---

Anti-glare Accessories (order separately)

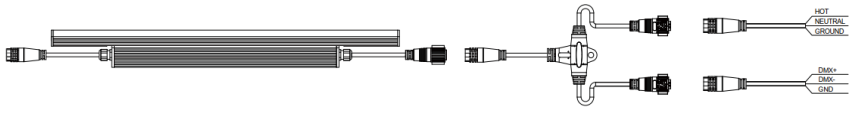
<p>11.81" / 23.62" / 47.24" Precision-engineered symmetric anti-glare louver for LineaPro Mini, delivering refined illumination control.</p>  <p>A</p>	<p>11.81" / 23.62" / 47.24" Asymmetric anti-glare louver designed for LineaPro Mini.</p>  <p>B</p>
---	---

Project: Type: Qty:

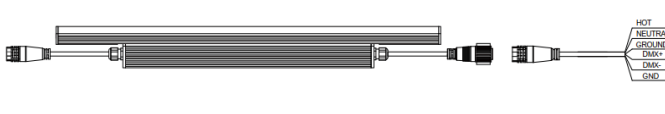
DIMENSIONS & VIEWS

Typical Wiring Schematic

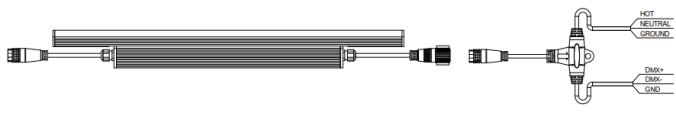
Leading Wiring Option One (0-10V / DALI)
Featuring a precision-engineered T-joint with integrated power and data cables for seamless connectivity.



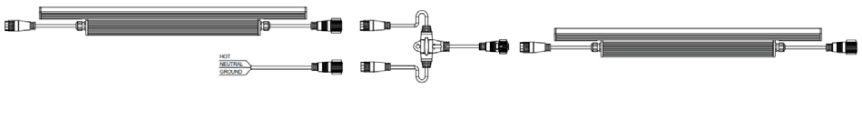
Leading Wiring Option Two (0-10V / DALI)
Integrated power and data cables for streamlined connectivity and installation.”



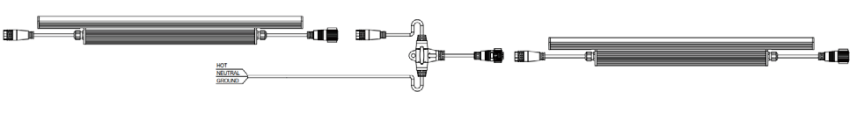
Leading Wiring Option Three (0-10V / DALI)
Precision T-joint with customizable bare wire lengths. Please consult factory for tailored cable specifications.”




Power Injection Option One
Power injection with integrated power-leading cable for seamless energy distribution.



Power Injection Option Two
Precision T-joint with customizable bare power wire length. *Please consult factory for tailored cable specifications.



Extension Cable:



DMX Terminator (IP66):

