

Project:

Type:

Qty:



## FEATURES

LOUVA Series features a recessed light source that creates depth while reducing glare for a cleaner, more comfortable visual experience. As a highly flexible profile system, it supports both straight and curved configurations, giving designers full freedom to shape continuous lighting compositions.

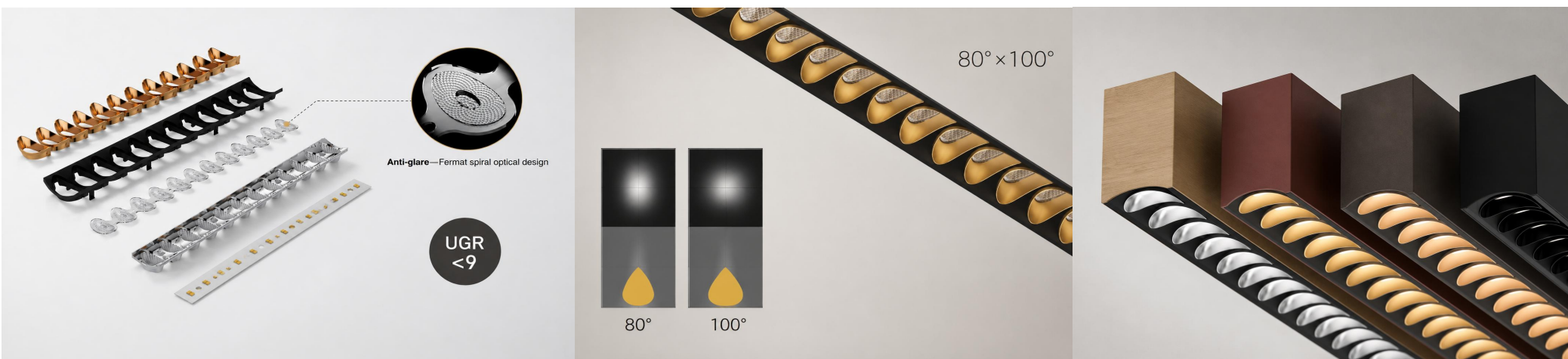
Designed for versatility, LOUVA offers recessed, surface-mounted, and suspended installation options, adapting easily to different architectural spaces.

With its wide beam distribution and controlled optics, LOUVA delivers soft, even illumination ideal for office and workspace environments. The large-angle design enhances coverage while maintaining visual comfort, achieving a balance between performance and architectural simplicity.

Antiglare Design

Large Angle

Curated Finishes



## ORDER CODE

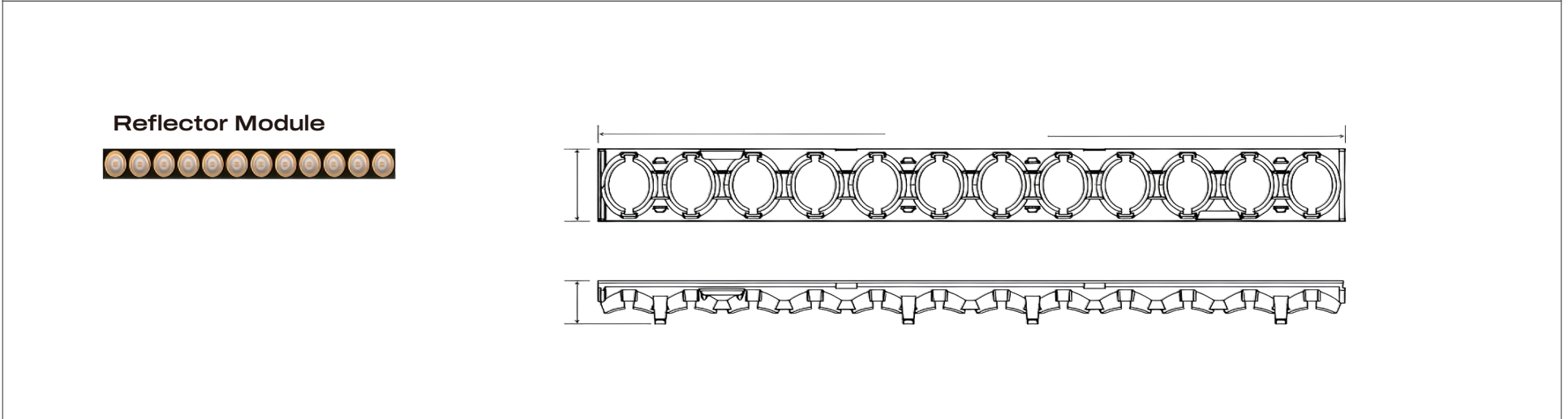
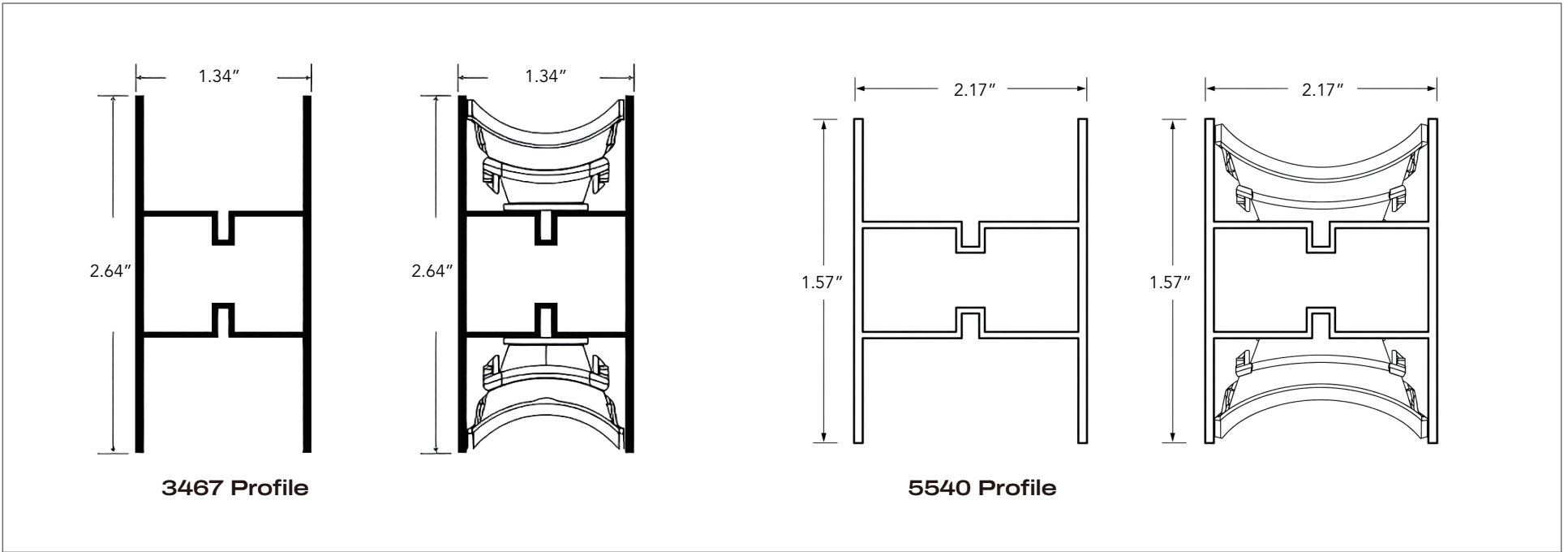
ORDER CODE EXAMPLE: LOUVA-ARC-3467-36"-PD-D-A#-40K-90-DALI-SV-EM

SERIES	SHAPE	TYPE	SIZE	INSTALLATION			
				Mounting	Mounting type	Cable/Stem Length	
LOUVA	ARC ARC (not a full circle)	3467 H2.64"*W1.34"	24" 24" 40W	PD Suspended	CC center Canopy	A Aircraft Cable	—"(inches)
	LN Linear	5540 H1.57"*W2.17"	36" 36" 60W 48" 48" 80W C# Custom #=Specify length or dia	SF Surface RC Recessed *Recessed : 5540 prole only.	MP Multiple Points D Direct Mount S Stem Mount	S Rigid Stem	—"(inches)

CCT	CRI	DIMMING		FINISH		EMERGENCY BACKUP
30K 3000K	90	DALI	DALI	WH	White	EM 10W EM backup
40K 4000K		D10	0-10V	BK	Black	
		NON	On/Off	SV	Silver	
				RAL	RAL#	

Project:	Type:	Qty:
----------	-------	------

## DIMENSIONS



## CUSTOMIZABLE WITH VARIOUS SHAPES

