

Project:	Type:	Qty:
----------	-------	------



### FEATURES

Premium outdoor in-ground spotlights meticulously crafted for high-end, luxury applications.

Available in five distinct sizes, each tailored to a specific power output for enhanced performance.

Versatile design options, including round (with or without bezel), square, and compatibility with various trim rings for maximum customization.

A wide range of optical options, including diffused, ring light, wall washer, and more, providing flexibility to suit any design need.

Superior material quality, robust structural integrity, and exceptional optical performance, making this series the perfect choice for upscale, architectural projects.

### Order Code

ORDER CODE EXAMPLE: INLUX-CM-RDT-64-30K-25D-80-HMB-24V-D10-WH-MODELA

SERIES	INSTALLATION	TRIM	APPLICATION	SIZE / WATTAGE	CCT
In-Lux	IG Ingrade/ Inground	RDT Round Trimmed	Fixed	45 1.77" 2W	27K 2700K
	CM Ceiling Mounted	RDL Round Trimless	Adjustable*	54 2.13" 3W	30K 3000K
	WM Wall Mounted	SQL Square Trimless	Asymmetric/Wall Wash*	64 2.52" 5W	35K 3500K
			Diffused	80 3.15" 7W	40K 4000K
			Concentric Rings**	98 3.86" 9W	D2W 3000K-1800K
			*Only Available in Sizes 64D, 80D, and 98D	*All luminous data above are based on the standard clear glass diffuser.	TW 6500K-1800K
			**Only Available in RDL&SQL		RCB N/A for 32R
					RGBW ___specify W N/A for 32R

BEAM ANGLE	CRI	OPTIONAL ACCESSORIES
<b>5D</b> Asymmetric 5 Degree <b>15D</b> 15 Degree Available only in 2.13" <b>18D</b> 18 Degree Not available in 1.77"/2.13" <b>20D</b> Asymmetric 20 Degree <b>24D</b> 24 Degree Not available in 1.77" <b>25D</b> 25 Degree Available only in 1.77" <b>36D</b> 36 Degree Not available in 1.77" <b>60D</b> 60 Degree Not available in 1.77" <b>2050D</b> 20D*50D Available only in 1.77" <b>2055D</b> 20D*55D Available only in 3.15"/3.86" <b>25D</b> 25D*65D Available only in 3.15"/3.86"	<b>80</b> 80Ra <b>90</b> 90Ra	Available in 45D, 64D, 98D Fixed Sizes Only <b>HMB</b> Half Moon Blade <b>HCL</b> Honeycomb Louver <b>MCB</b> Multicyclic Blade <b>TLB</b> Three Leaf Blade <b>SCB</b> Single Crescent Blade <b>DCB</b> Double Crescent Blade <b>SHT</b> Shutters Available in 54&80D Fixed Sizes And all Adjustable Sizes <b>LG</b> Lens & Grille <b>LC</b> Lens & Cylindrical Barrel <b>LS</b> Lens & Shutters Available For all Asymmetric Sizes and Wall Mounted Sizes 45D, 54D&64D <b>HMA</b> Half Moon Silk Peint <b>VSL</b> Vertical Slot Silk Peint*** <b>HSL</b> Horizontal Slot Silk Peint*** *Only Available in Wall Mounted Option

INPUT VOLTAGE	DIMMING	FINISH	SLEEVE
12V 12V DC	NON Non Dim	B Black	Model A
24V 24V DC	ELV Triac/ELV	WH White	Model B
	D10 1-10V	GR gray	
	DALI DALI	BR Brown Available only in Trimmed Brown	
	DMX DMX512	DG Dark Gray Available only in Trimmed	
		GD Golden Available only in Trimmed	

Project:	Type:	Qty:
----------	-------	------

**SELECTABLE OPTICAL ACCESSORIES**



Half Moon Blade



Honeycomb Louver



Multicyclic Light Blade



Three-leaf Light Blade



Double Crescent Blade



Single Crescent Blade



Crescent Blade

**OPTIONAL FINISHING COLOR FOR COVER**



Black



White



Gray



Brown



Dark Gray



Golden

**INTERIOR ANTI-GLARE OPTIC ACCESSORIES**



Lens & Grille



Lens & Cylindrical Barrel



Lens & Shutters

**WALL RECESSED SERIES**



HMA  
Half Moon Silk Peint



VSL  
Vertical Slot Silk Peint\*\*\*



HSL  
Horizontal Slot Silk Peint\*\*\*

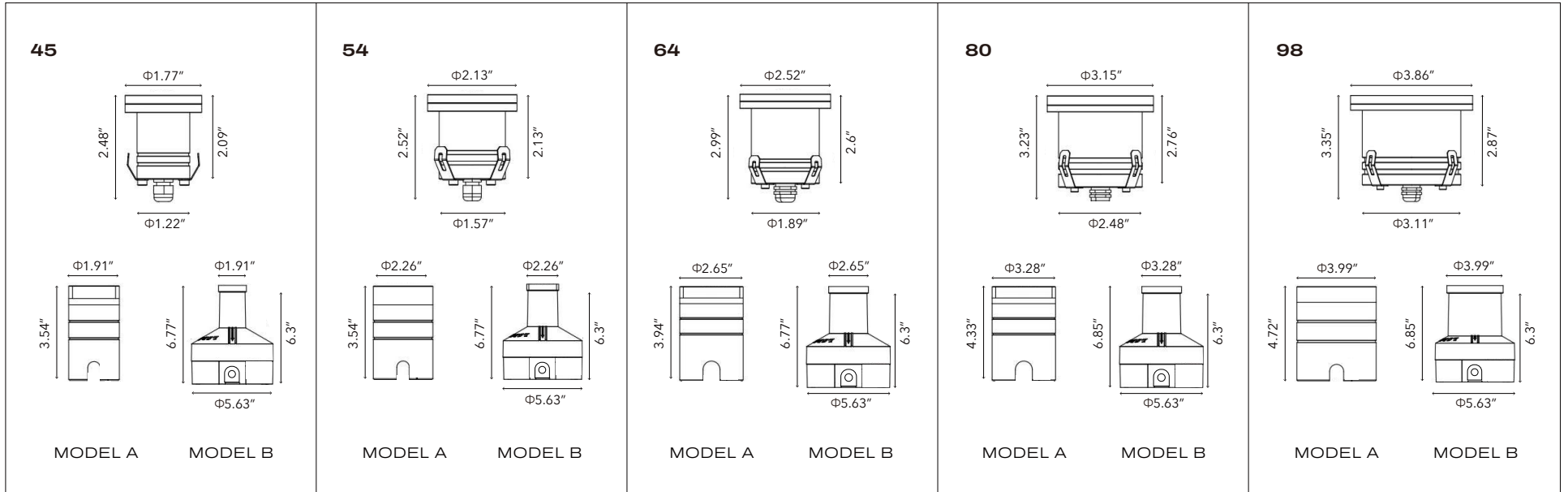


\*\*\*Only available in wall mounted option

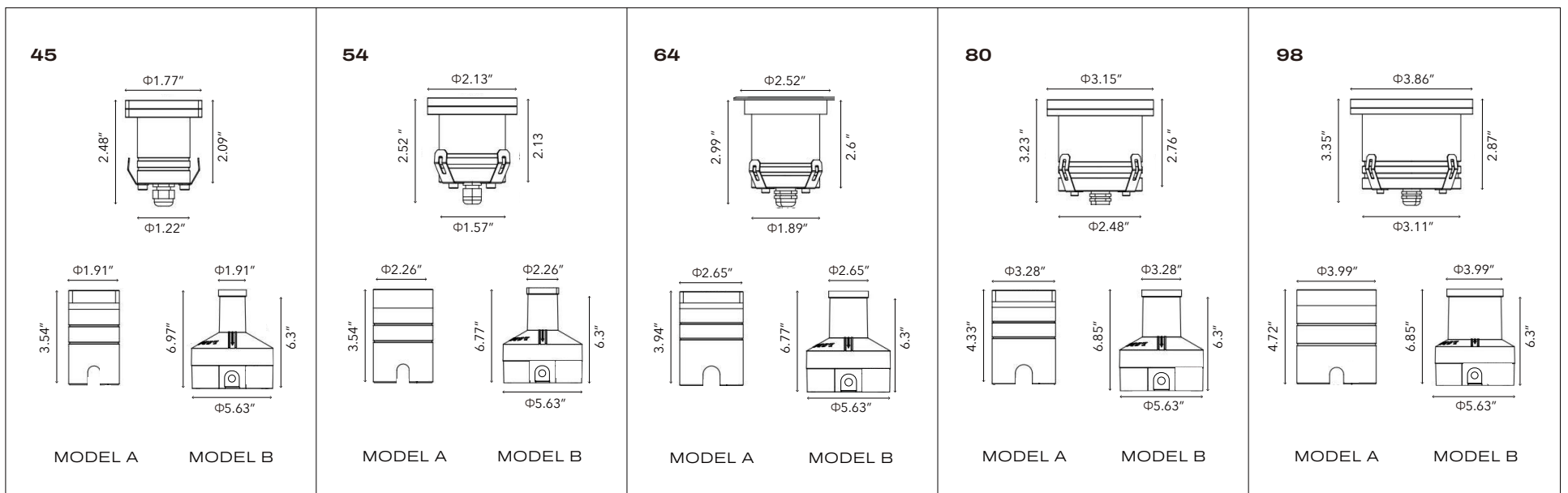
Project: \_\_\_\_\_ Type: \_\_\_\_\_ Qty: \_\_\_\_\_

### SPECIFICATIONS

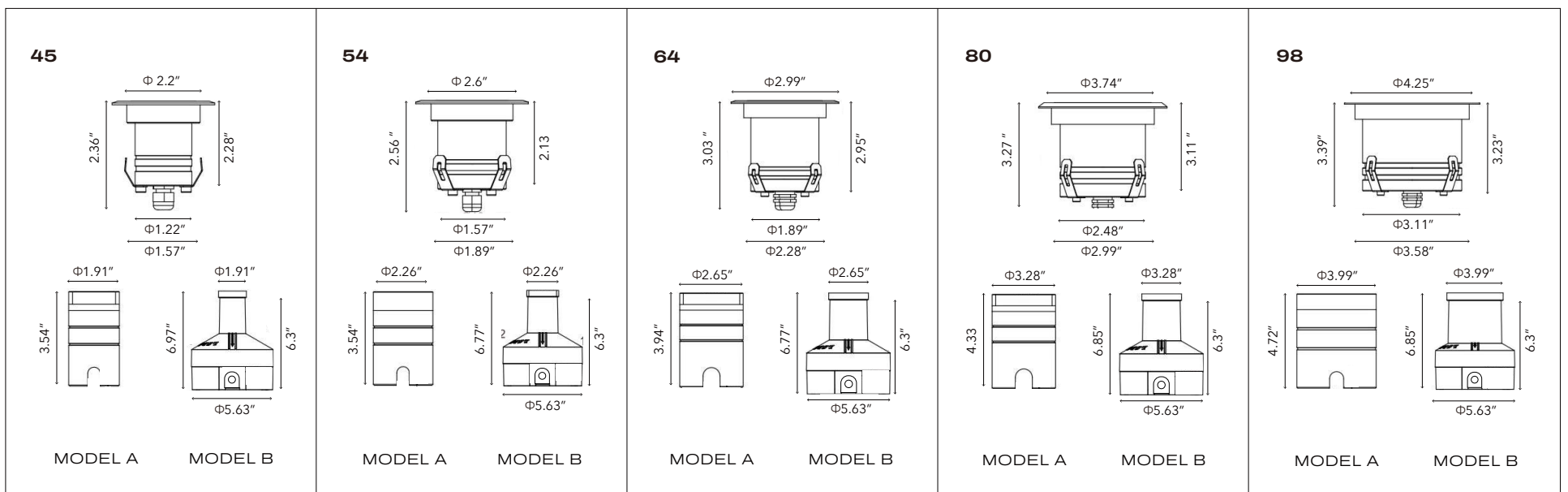
#### ROUND TRIMLESS



#### ROUND TRIMMED



#### SQUARE TRIMLESS



Project: \_\_\_\_\_ Type: \_\_\_\_\_ Qty: \_\_\_\_\_

## INSTALLATION INSTRUCTIONS

**STEP 1** ▶ Before installation, pre-lay the electrical cable and excavate the foundation pit according to the size of the embedded housing. (For detailed dimensions, please refer to the fixture's line drawing.)

Concrete layer  
Gravel layer (for cushioning and drainage)  
Sand layer (for water absorption)  
Power input cable Conduit

**STEP 2** ▶ Place the fixture's embedded housing, ensuring the top is flush with the ground.

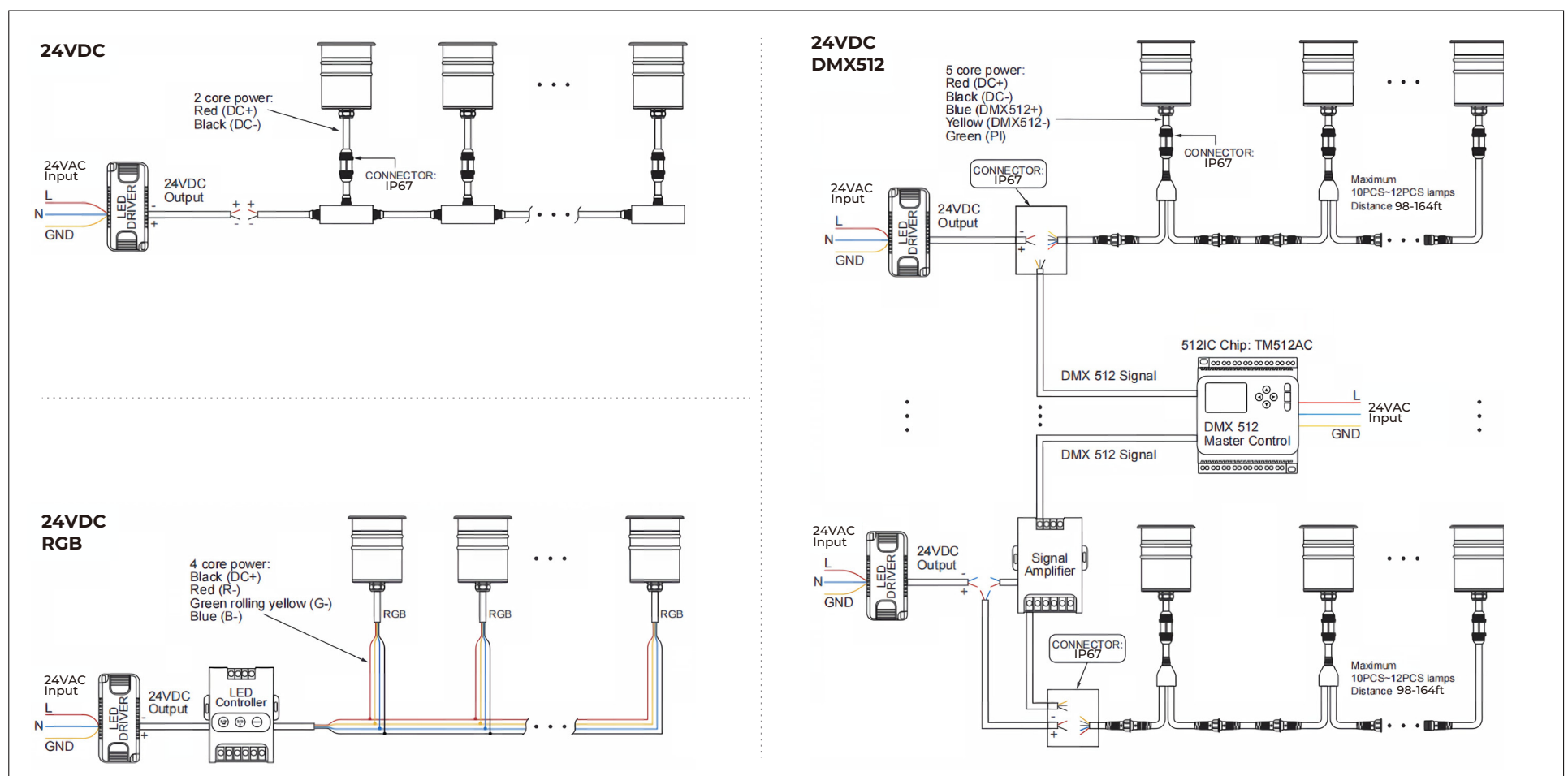
**STEP 3** ▶ Strictly connect the power cable to the fixture's power line according to the wiring requirements, then securely tighten the waterproof connector.

**STEP 4** ▶ Adjust the light fixture angle using the provided angle-adjustment tool according to the on-site illumination requirements (applicable to adjustable-angle fixtures)

**STEP 5** ▶ Place the fixture with the adjusted beam angle into the embedded housing (applicable to adjustable-angle fixtures). If the fixture is not adjustable, place it directly into the housing.

**STEP 6** ▶ Complete the installation

## CONNECTION DIAGRAM



## SAFETY INSTRUCTIONS BEFORE INSTALLATION

- Installation must be carried out by a qualified technician or authorized professional.
- Always disconnect power before installation to prevent the risk of electric shock.
- Ensure adequate ventilation space around the LED heat sink to allow proper cooling.
- Only connect LED luminaires using the recommended drivers.
- The actual product may vary slightly from the illustrations shown.
- Do not attempt to disassemble the product.
- Any damage caused by modifications or improper installation will void the warranty.

