

Project:	Type:	Qty:
----------	-------	------



### GO2 LITE – BINA

#### Overview

Go2 Lite is designed for both aesthetics and functionality. It installs and removes without damaging ceilings, ensuring a clean, hassle-free experience.

#### Design & Options

Available in square and round shapes, with bezel or bezel-less versions, Go2 Lite integrates seamlessly into modern interiors.

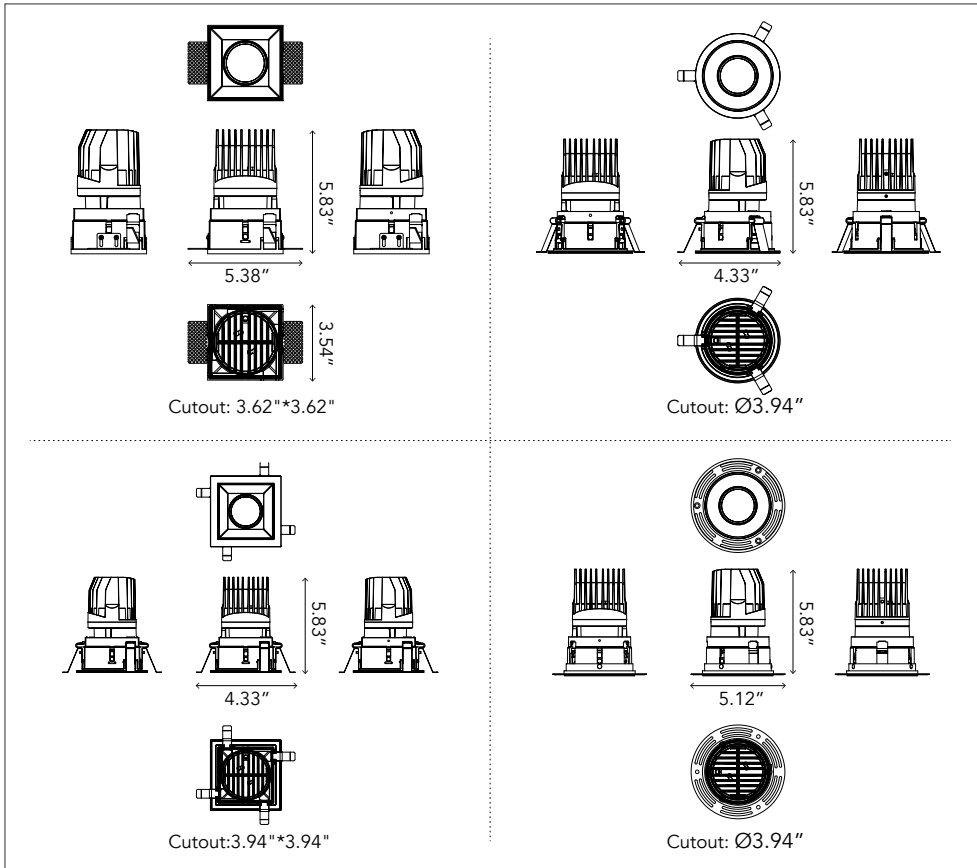
#### Performance

Power range: 6–20W. Deep anti-glare optics provide comfortable primary and ambient lighting for high-end indoor spaces.

#### Key Features

- Damage-free installation and removal
- Square and round shapes
- Bezel and bezel-less options for seamless ceiling integration
- Power range: 6–20W
- Deep anti-glare optics for comfortable lighting
- Sleek, modern, high-end design

### SPECIFICATIONS



<b>Input Voltage</b>	100-277V
<b>Wattage</b>	20W
<b>Delivered Lumens</b>	1600lm
<b>CRI</b>	>90Ra
<b>LED</b>	SDCM=1x3 MacAdam Ellipse
<b>Adjustability</b>	Max Tilt Angle 30° / Horizontal Rotation Angle 356°
<b>Dimming</b>	Trial/0-10v(100%-5%)
<b>Lamp Life</b>	50,000Hr
<b>Environment</b>	IP20/IP44
<b>Heat Sink</b>	Aluminum body with oxidized powder coating
<b>Trim</b>	Die-cast Aluminum
<b>Operating Temp</b>	-4°F-104°F



### Order Code

**ORDER CODE EXAMPLE: GO2LT-4"-ST-F-20W-40LK-40D-WH-C-D10-NC**

SERIES	SIZE	TRIM	WATTAGE	CCT	BEAM ANGLE	FINISH
GO2LT	4"	<b>RT</b> Round Trimmed <b>RL</b> Round Trimless <b>ST</b> Square Trimmed <b>SL</b> Square Trimless	<b>20W</b> 1600lm	<b>27K</b> 2700K <b>30K</b> 3000K <b>35K</b> 3500K <b>40K</b> 4000K <b>TW</b> Tunable White 2700K-6500K <b>WD</b> Warm Dim 3000K-1800K	<b>15D</b> 15 Degree <b>20D</b> 20 Degree <b>30D</b> 30 Degree <b>40D</b> 40 Degree <b>50D</b> 50 Degree <b>60D</b> 60 Degree	Reflector <b>WH</b> white <b>BK</b> Black Trim <b>W</b> White <b>B</b> Black <b>C</b> Chrome <b>RAL#</b> Custom

OPTICAL ACCESSORIES	DIMMING	INSTALLATION TYPE	EMERGENCY BACKUP
<b>—</b> Solite Lens (included) <b>HL</b> Honeycomb Louver <b>LS</b> Linear Spread Lens	<b>ELV</b> ELV/TRIAC Phase Cutting 3% <b>D10</b> 0/1-10V(100%-1%)	<b>NC</b> New Construction Tray <b>RM</b> Remodel (no NC Tray) <b>IC</b> IC Rated	<b>EM10</b> 10 watts / 90 mins

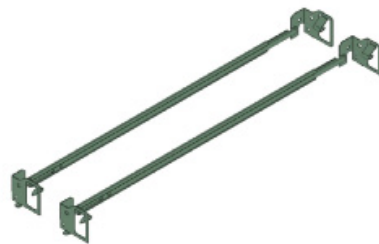
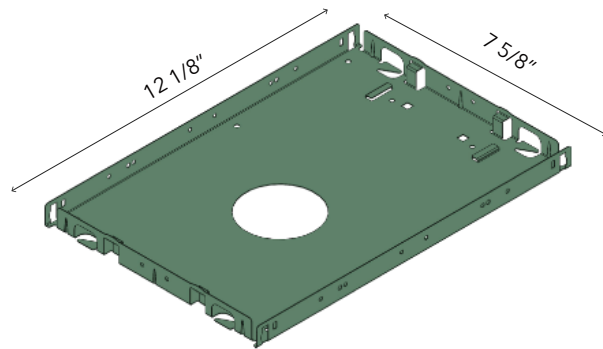
Project:

Type:

Qty:

### MOUNTING OPTIONS

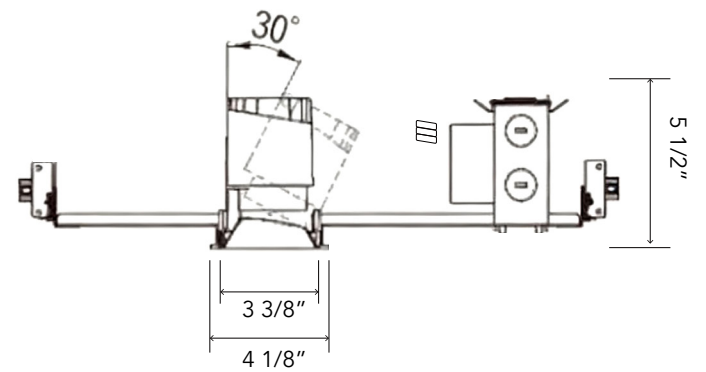
#### NC - New Construction Frame-In Tray



**Standard bar hanger (included)**

Mounting Length 14 3/4" - 26".

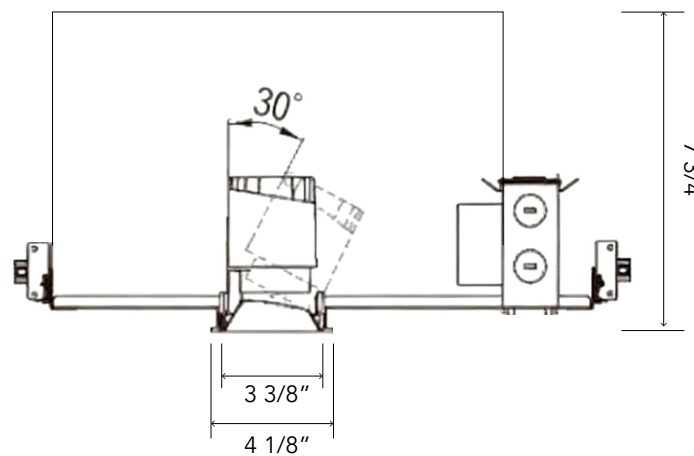
Extension kit can be ordered separately.



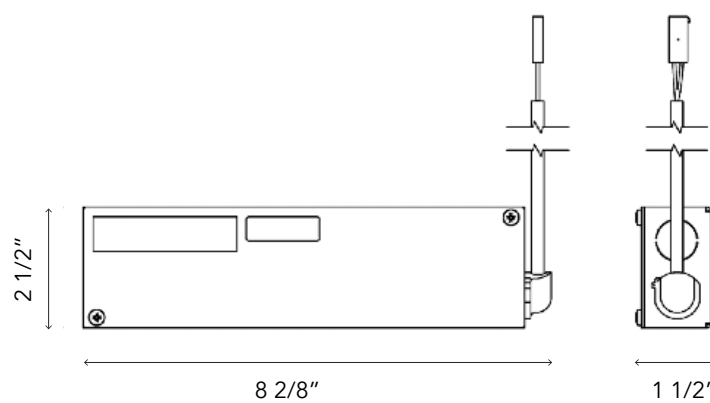
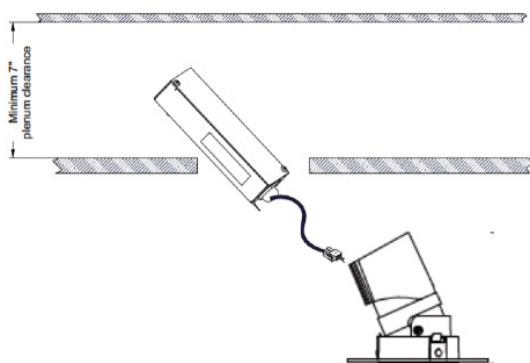
**Ceiling Cut-out** Ø3-15/16" (Ø100mm)

**Mounting Frame** 12-1/16" (307mm) X 7-5/8" (193.8mm)

#### IC - insulated Ceiling Box



#### RM - Remodel without Frame-In Tray



Project:	Type:	Qty:
----------	-------	------

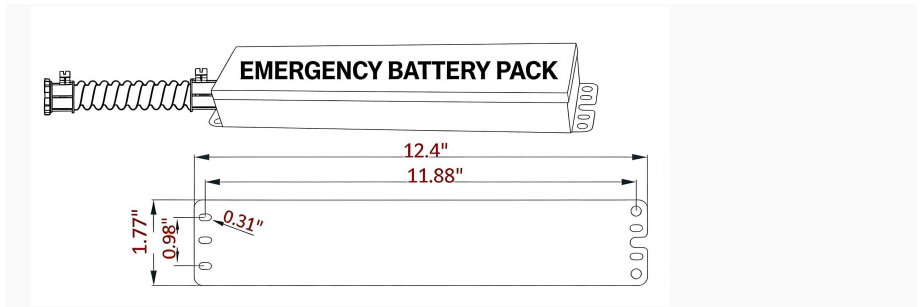
### EMERGENCY

#### PRIMARY SPECIFICATIONS

Output Power Max	Input Power	Input Current Max	Emergency Operating Time	Battery	Input Voltage	Output Voltage	Ambient Operating Temperature	UL Listed for Us and Canada
10W	4W	100 mA	90 min.	Li-ion 18650 7.4V 2500mAh	120-277 Vac 50/60Hz	12-55 VDC	0 °C through 55 °C	ULand cUL (UL924) Emergency LED Driver

#### Dimensions / Weight

Length	12.4"	Height	1.1"
Width	1.77"	Mounting Length	11.88"
Weight	2.47 lb		



#### REMOTE TEST SWITCH

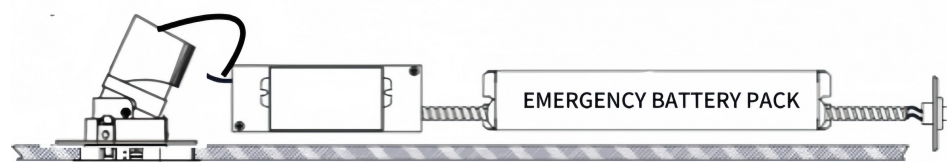
The remote test switch may be mounted adjacent to the LED fixture by others.

#### EMERGENCY BATTERY ACCESS

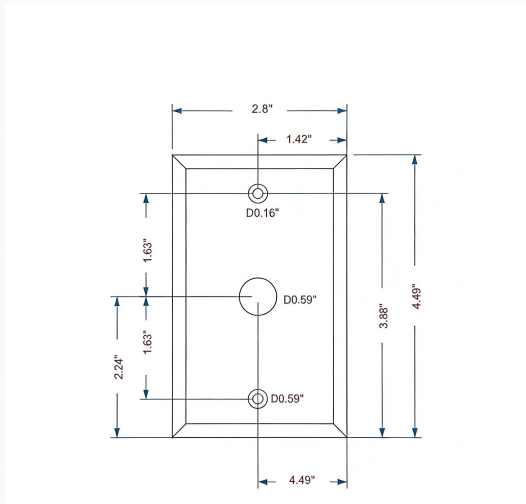
Above ceiling access is recommended for ease of service, but LED fixture sizes of 4" and larger are capable of below ceiling access. IC/ICAT/CP box and ITS option require an access panel in the ceiling (or other form of access) adjacent to the installation location of the emergency battery.

#### REMOTE LOCATION

Maximum remote mounting distance of the emergency driver shall be 50 feet. Remote location wiring provided by others. Follow all local and national electric/building codes.



#### WALL PLATE ACCESSORIES



#### TEST SWITCH

