

Project:	Type:	Qty:
----------	-------	------



GO2 LITE – BINA

Overview

Go2 Lite is designed for both aesthetics and functionality. It installs and removes without damaging ceilings, ensuring a clean, hassle-free experience.







Design & Options

Available in square and round shapes, with bezel or bezel-less versions, Go2 Lite integrates seamlessly into modern interiors.

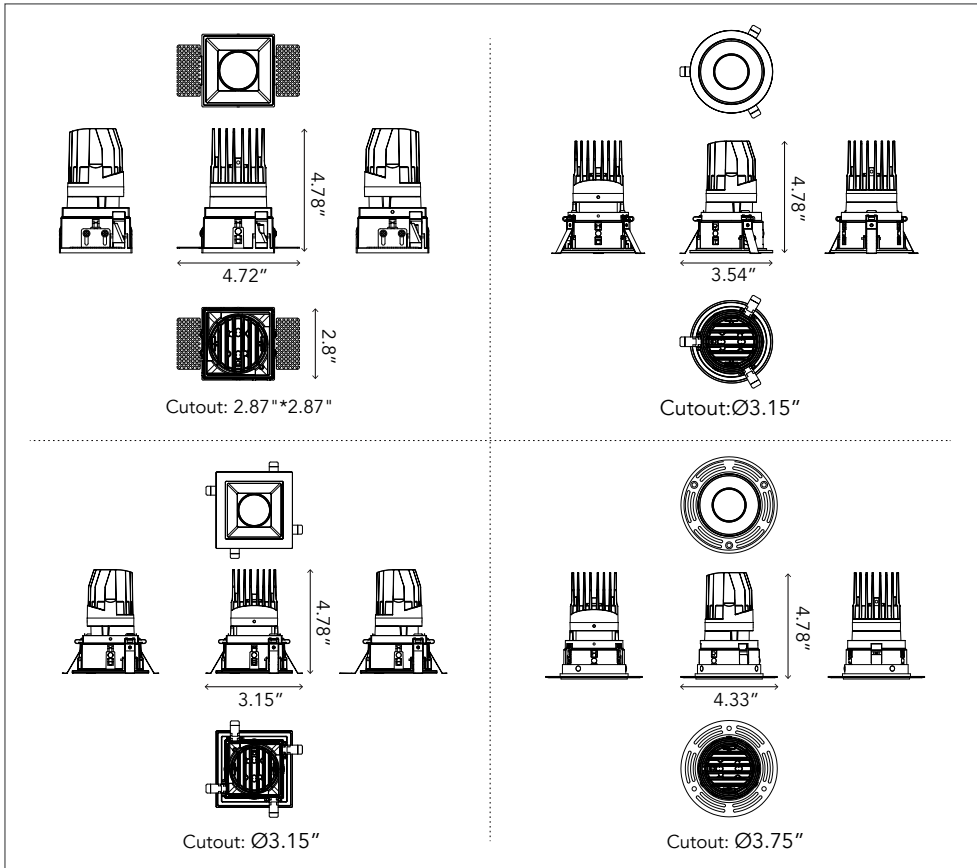
Performance

Power range: 6–20W. Deep anti-glare optics provide comfortable primary and ambient lighting for high-end indoor spaces.

Key Features

- 
 Damage-free installation and removal
- 
 Square and round shapes
- 
 Bezel and bezel-less options for seamless ceiling integration
- 
 Power range: 6–20W
- 
 Deep anti-glare optics for comfortable lighting
- 
 Sleek, modern, high-end design

SPECIFICATIONS



Input Voltage	100-277V
Wattage	12W
Delivered Lumens	960lm
CRI	>90Ra
LED	SDCM=1x3 MacAdam Ellipse
Adjustability	Max Tilt Angle 30° / Horizontal Rotation Angle 356°
Dimming	Trial/0-10v(100%-5%)
Lamp Life	50,000Hr
Environment	IP20/IP44
Heat Sink	Aluminum body with oxidized powder coating
Trim	Die-cast Aluminum
Operating Temp	-4°F-104°F



Order Code

ORDER CODE EXAMPLE: GO2LT-3"-ST-F-12W-40K-40D-WH-C-D10-NC

SERIES	SIZE	TRIM	WATTAGE	CCT	BEAM ANGLE	FINISH
GO2LT	3"	RT Round Trimmed RL Round Trimless ST Square Trimmed SL Square Trimless	12W 960lm	27K 2700K 30K 3000K 35K 3500K 40K 4000K TW Tunable White 2700K-6500K WD Warm Dim 3000K-1800K	15D 15 Degree 20D 20 Degree 30D 30 Degree 40D 40 Degree 50D 50 Degree 60D 60 Degree	Reflector WH white BK Black W White B Black C Chrome RAL# Custom

OPTICAL ACCESSORIES	DIMMING	INSTALLATION TYPE	EMERGENCY BACKUP
Solite Lens (included) HL Honeycomb Louver LS Linear Spread Lens	ELV ELV/TRIAC Phase Cutting 3% D10 0/1-10V(100%-1%)	NC New Construction Tray RM Remodel (no NC Tray) IC IC Rated	EM10 10 watts / 90 mins

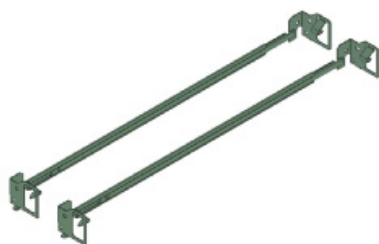
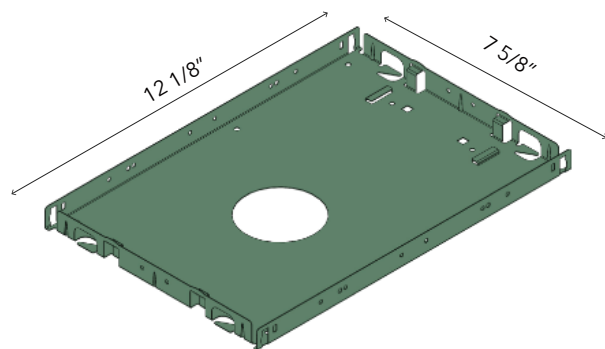
Project:

Type:

Qty:

MOUNTING OPTIONS

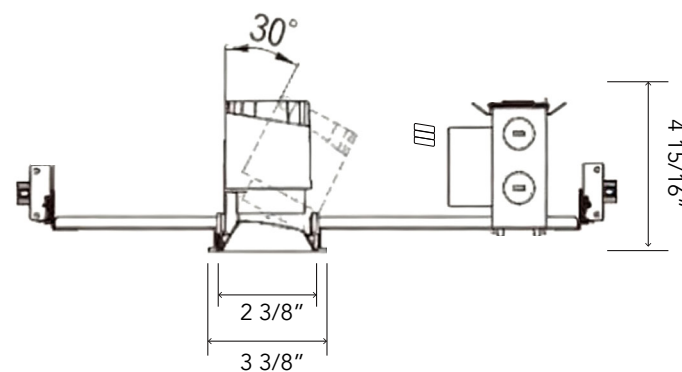
NC - New Construction Frame-In Tray



Standard bar hanger (included)

Mounting Length 14 3/4" - 26".

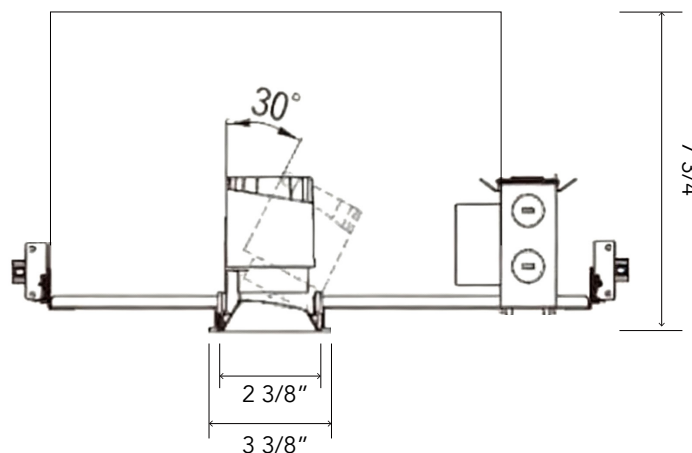
Extension kit can be ordered separately.



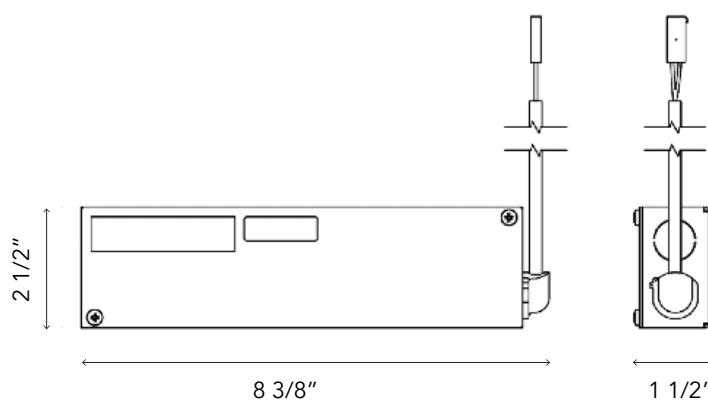
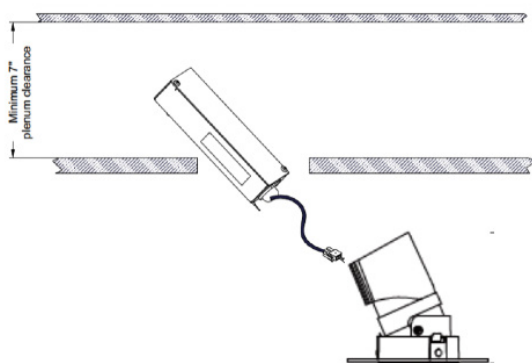
Ceiling Cut-out \varnothing 2-7/8" (Ø72mm)

Mounting Frame 12-1/8" (307.3mm) X 7-5/8" (193.8mm)

IC - insulated Ceiling Box



RM - Remodel without Frame-In Tray



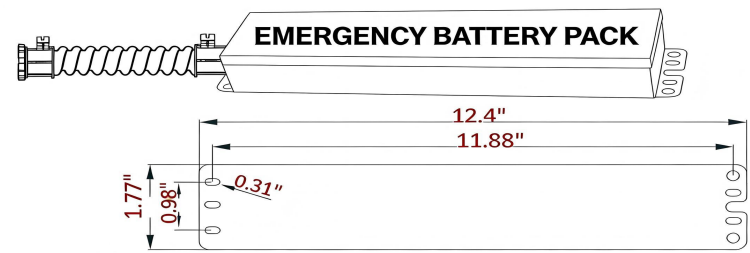
Project:	Type:	Qty:
----------	-------	------

EMERGENCY

PRIMARY SPECIFICATIONS

Output Power Max	Input Power	Input Current Max	Emergency Operating Time	Battery	Input Voltage	Output Voltage	Ambient Operating Temperature	UL Listed for Us and Canada
10W	4W	100 mA	90 min.	Li-ion 18650 7.4V 2500mAh	120-277 Vac 50/60Hz	12-55 VDC	0 °C through 55 °C	ULand cUL (UL924) Emergency LED Driver

Dimensions / Weight			
Length	12.4"	Height	1.1"
Width	1.77"	Mounting Length	11.88"
Weight	2.47 lb		



REMOTE TEST SWITCH

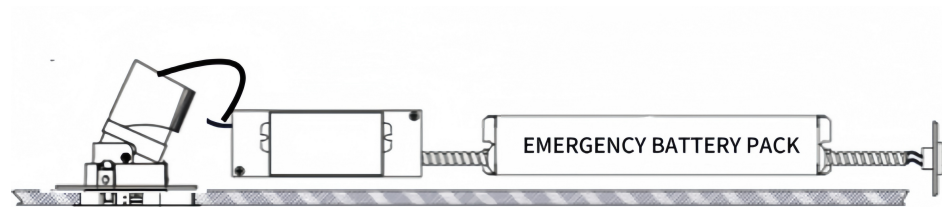
The remote test switch may be mounted adjacent to the LED fixture by others.

EMERGENCY BATTERY ACCESS

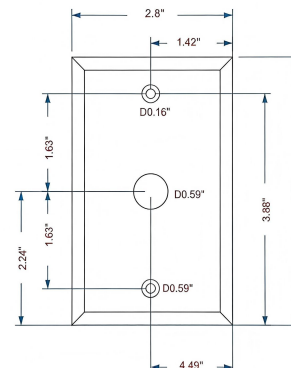
Above ceiling access is recommended for ease of service, but LED fixture sizes of 4" and larger are capable of below ceiling access. IC/ICAT/CP box and ITS option require an access panel in the ceiling (or other form of access) adjacent to the installation location of the emergency battery.

REMOTE LOCATION

Maximum remote mounting distance of the emergency driver shall be 50 feet. Remote location wiring provided by others. Follow all local and national electric/building codes.



WALL PLATE ACCESSORIES



TEST SWITCH

