






Project: \_\_\_\_\_ Type: \_\_\_\_\_ Qty: \_\_\_\_\_



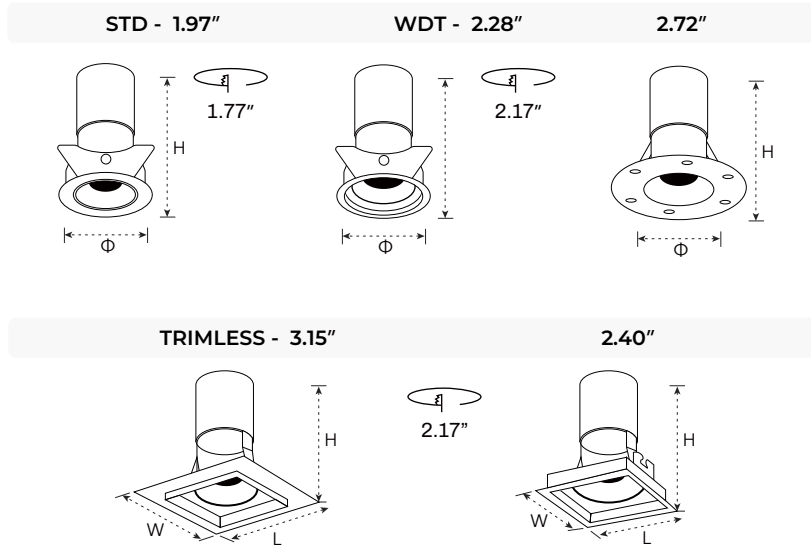
## FEATURES

-  Modular design, field replaceable LED module, trim, beam lens, and accessories.
-  Interchangeable secondary reflector options for glare control and maximum visual comfort.
-  Quiet ceiling achieved through deep regress.
-  Precise light control, 15°/24°/36°/50° TIR lens and Reflector lens options.
-  Offered standard with flicker free dimming to 1% and premium, fade-to-off dimming (.5%), option available.

## SPECIFICATIONS

### M45

10 W - 3.94"H  
H8W - 3.15"



|                         |   |
|-------------------------|---|
| <b>Input Voltage</b>    | 100-277V AC   |
| <b>Wattage</b>          | 8W / 10W  |
| <b>Delivered Lumens</b> | 450Lm - 860Lm                                       |
| <b>LED</b>              | <3-Step MacAdam Ellipse (2-Step Available)          |
| <b>CCT</b>              | 27K, 30K, 35K, 40K                                  |
| <b>CRI</b>              | >90Ra   |
| <b>Adjustability</b>    | Max Tilt Angle 30° / Horizontal Rotation Angle 355° |
| <b>Lamp Life</b>        | 50,000Hr  |
| <b>Environment</b>      | IP20 & IP44   |
| <b>Heat Sink</b>        | Aluminum body with oxidized powder coating          |
| <b>Trim</b>             | Die-cast Aluminum                                   |
| <b>Operating Temp</b>   | -4° F - 104° F                                      |

## Order Code

ORDER CODE EXAMPLE: GO2MINI-M45-RD-STD-8W-27K-R24D-WH-W-LS-ELV-H4-NC

| SERIES   | SIZE     | TRIM        |                 | WATAGE    | CCT       | BEAM ANGLE                   |           | FINISH    |                |          |
|----------|----------|-------------|-----------------|-----------|-----------|------------------------------|-----------|-----------|----------------|----------|
|          |          | M45 Options | M45 Trim Option |           |           | Reflector Lens               | TIR Lens  | Reflector | Trim           |          |
| Go2 Mini | M45 1.7" | RD          | Round           | 8W 680lm  | 27K 2700K | R24D                         | 24 Degree | WH        | White          |          |
|          |          | SQ          | Square          | 10W 850lm | 30K 3000K | R36D                         | 36 Degree | BL        | Black          |          |
|          |          |             |                 |           | 35K 3500K |                              | T36D      | 36 Degree | SV             | Silver   |
|          |          |             |                 |           | 40K 4000K |                              | T50D      | 50 Degree | SP             | Specular |
|          |          |             |                 |           | TW        | Tunable White<br>2700K-6500K |           | SB        | Specular Black |          |
|          |          |             |                 |           |           |                              |           | SG        | Specular Gold  |          |

| OPTICAL ACCESSORIES  | DIMMING                               | HEAD CONFIGURATION *  | INSTALLATION TYPE                                  | EMERGENCY BACKUP |
|--|---------------------------------------|---|--|------------------|
| No Lens (leave blank)<br>HL Hexcell Louver<br>LS Linear Spread | ELV Phase/Triac(3%)<br>D10 0-10V(.1%) | H1 Single Head (1 Driver / 1 Luminaire)<br>H2 2 Heads Cluster (1 Driver / 2 Luminaires)<br>H3 3 Heads Cluster (1 Driver / 3 Luminaires)<br>H4 4 Heads Cluster (1 Driver / 4 Luminaires)<br>H5 5 Heads Cluster (1 Driver / 5 Luminaires)<br>Only available for 8W Luminaires | NC New Construction Tray<br>RM Remodel (no NCTray) | EM10 10W/90 Min  |

\*One driver can power multiple Go2 Mini heads in a cluster. The appropriate driver output will be determined and supplied by the factory according to the combined luminaire load.\*

Project:

Type:

Qty:

## TRIM OPTIONS

### M45 Trim Example



Standard Trim



Wide Trim (WDT)



Standard



Trimless



Square



Trimless

Project:  Type:  Qty:

## REFLECTOR OPTIONS



White



Black



Silver



Specular



Black Specular



Gold

## PERFORMANCE

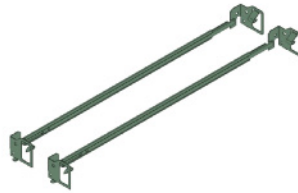
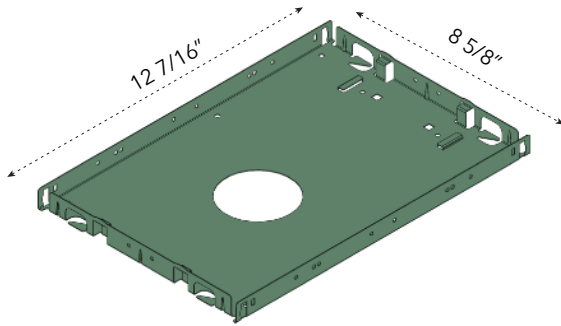
| 90 CRI / 3000K | 15 Degree | 24 Degree | 38 Degree | 50 Degree |
|----------------|-----------|-----------|-----------|-----------|
| 8W             | 462Lm     | 515Lm     | 598Lm     | 473Lm     |
| 5W             | 777Lm     | 794Lm     | 854Lm     | 785Lm     |

Preliminary, pre-launch test-data. Delivered lumen values +/- 5%. Optical filters will reduce delivered lumen values

|          |       |      |
|----------|-------|------|
| Project: | Type: | Qty: |
|----------|-------|------|

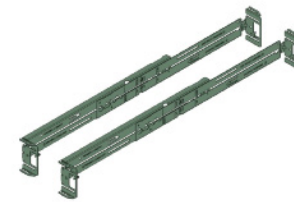
## MOUNTING OPTIONS

### NC - New Construction Frame-In Tray



**Standard bar hanger (included)**

Mounting Length 14 3/4" - 26".  
Extension kit can be ordered separately.

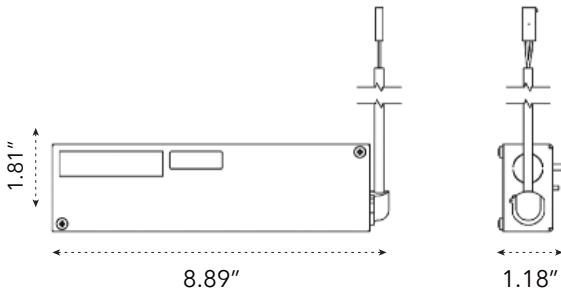


**Commercial bar hanger #1487**

Butterfly and Caterpillar brackets available



### New Construction & Remodel Mounting



Due to the small aperture size, all drivers will need to be remotely located within 50" of the fixtures and installed in a location that is accessible without the need for demolition. Each driver will ship in an individual driver enclosure box. However, it is not recommended to stack the driverboxes on top of each other as there is a potential for overheating.

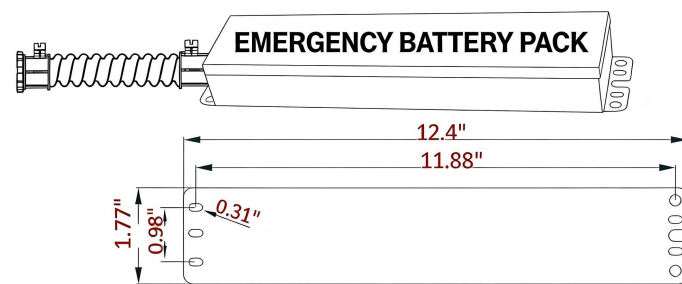
|          |       |      |
|----------|-------|------|
| Project: | Type: | Qty: |
|----------|-------|------|

## EMERGENCY

### PRIMARY SPECIFICATIONS

| Output Power Max | Input Power | Input Current Max | Emergency Operating Time | Battery                   | Input Voltage       | Output Voltage | Ambient Operating Temperature | UL Listed for Us and Canada            |
|------------------|-------------|-------------------|--------------------------|---------------------------|---------------------|----------------|-------------------------------|--|
| 10W              | 4W          | 100 mA            | 90 min.                  | Li-ion 18650 7.4V 2500mAh | 120-277 Vac 50/60Hz | 12-55 VDC      | 0 °C through 55 °C            | ULand cUL (UL924) Emergency LED Driver |

| Dimensions / Weight |         |                 |        |
|---------------------|---------|-----------------|--------|
| Length              | 12.4"   | Height          | 1.1"   |
| Width               | 1.77"   | Mounting Length | 11.88" |
| Weight              | 2.47 lb |                 |        |



### REMOTE TEST SWITCH

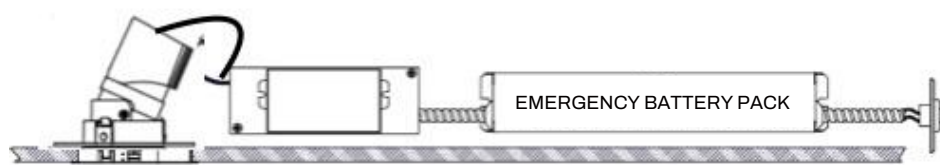
The remote test switch may be mounted adjacent to the LED fixture by others.

### EMERGENCY BATTERY ACCESS

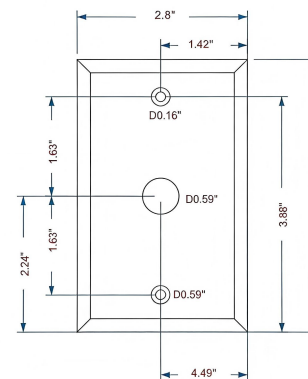
Above ceiling access is recommended for ease of service, but LED Fixture Sizes of 4" and Larger are capable of below ceiling access. IC/ICAT/CP box and iTS option require an access panel in the ceiling (or other form of access) adjacent to the installation location of the emergency battery.

### REMOTE LOCATION

Maximum remote mounting distance of the emergency driver shall be 50 feet. Remote location wiring provided by others. Follow all local and national electric/building codes.



### WALL PLATE ACCESSORIES



### TEST SWITCH

