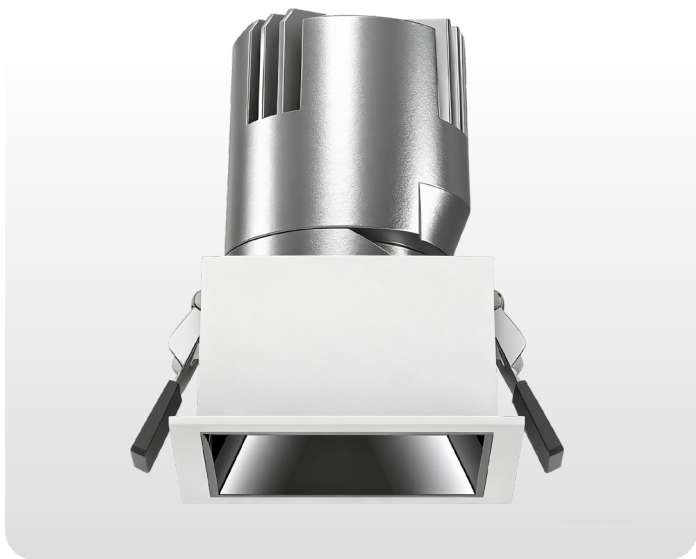


Project: _____ Type: _____ Qty: _____



FEATURES

Modular design, field replaceable LED module, trim, beam lens, and accessories

Interchangeable secondary reflector options for glare control and maximum visual comfort.

Quiet ceiling achieved through deep regress.

Precise light control, 15°/24°/38°/55° TIR lens beam options.

Offered standard with flicker free dimming to 1% and premium, fade-to-off dimming (.1%),

SPECIFICATIONS



Input Voltage	100-277V AC
Wattage	25W
Delivered Lumens	2125m +/-5%
LED	<3-Step MacAdam Ellipse (2-Step Available)
CCT	27K, 30K, 35K, 40K, D2W, TW
CRI	>90Ra
Beam Angle	TIR Lens 15°/24°/36°/55°
Adjustability	Max Tilt Angle 30° / Horizontal Rotation Angle 355°
Dimming	Trimode Dimming / Triac / 0-10V (100%-1%)
Lamp Life	50,000Hr
Environment	IP44
Operating Temp	-4° F - 104° F

Order Code

ORDER CODE EXAMPLE: GO2LX-4"-ST-A-HO-40K-15D-SB-W-SF-D10-NC

SERIES	SIZE	TRIM	WATTAGE	CCT	BEAM ANGLE	FINISH
Go2LX	4" Square Downlight	ST Square Trimmed	F Fixed	LO Low output (25W@88LM/W)	27K 2700K	10D 10 Degree
		SL Square Trimless	A Adjustable	HO High output (25W@ 88LM/W)	30K 3000K	15D 15 Degree
					35K 3500K	24D 24 Degree
					40K 4000K	38D 38 Degree
					TW Tunable White 2700K-6500K	55D 55 Degree
					WD Warm Dim 3000K-1800K	

OPTICAL ACCESSORIES	ENVIRONMENT	DIMMING	INSTALLATION TYPE	EMERGENCY BACKUP
SF Softening Lens HL Honeycomb Louver SO Solite Softening Lens LS Linear Spread Lens	_____ Leave blank if "dry or damp location (IP44)" WET for exterior wet locations (under covered ceiling only)	ELV ELV/TRIAC Phase Cutting 3% D10 0/1-10V(100%-1%) FO1 0/1-10V(100%-1%) DAL DALI-2 Dim to off 0.1% L01 Lutron Hi-Lume2-wire 1% PO1 Prem DriverDim to off 0.1%	NC New Construction IC Insulation Contact CP Chicago Plenum/Airtight	EM10 10 watts / 90 mins

Project:	Type:	Qty:
----------	-------	------

PERFORMANCE

90CRI/15W	2700K	3000K	3500K	4000K
15Degree	2189	2304	2420	2541
24Degree	2121	2233	2344	2461
38Degree	2192	2308	2423	2544
55Degree	2248	2366	2485	2609

Preliminary, pre-launch test-data. Delivered lumen values +/- 5%. Optical filters will reduce delivered lumen values

OPTICAL LENS



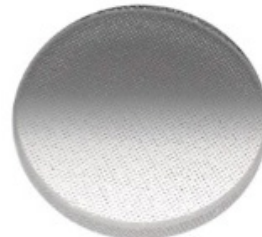
Soft Focus



Honeycomb



Linear Spread



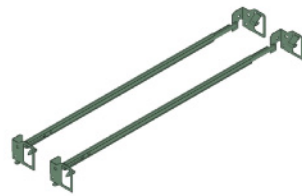
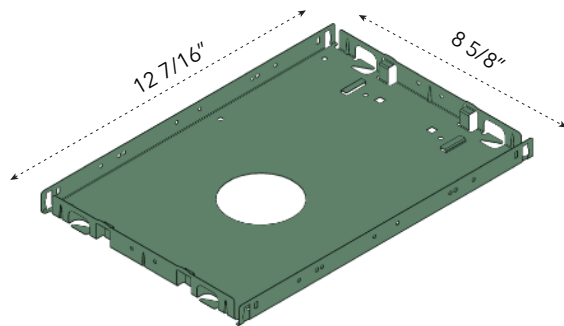
Solite

LIGHT LOSS FACTOR	
Honeycomb Louver	0.55
Solite Filter	0.70
Frosted Filter	0.70
Linear Spread Filter	0.70

Project:	Type:	Qty:
----------	-------	------

MOUNTING OPTIONS

NC - New Construction Frame-In Tray



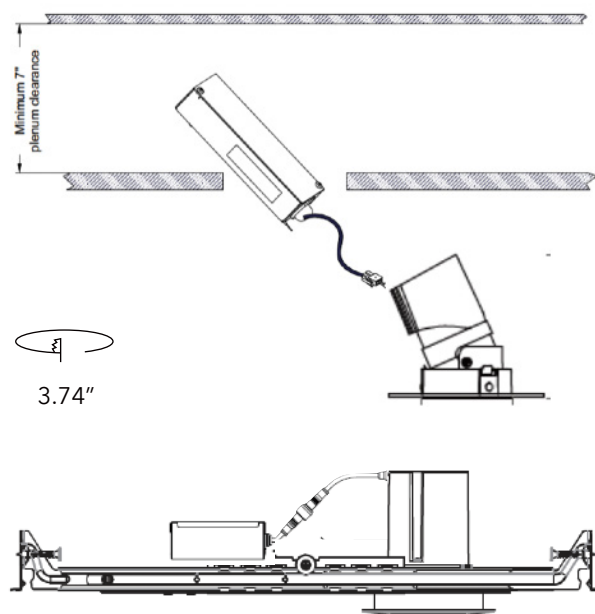
Standard bar hanger (included)
 Mounting length 14 3/4" - 26".
 Extension kit can be ordered separately.



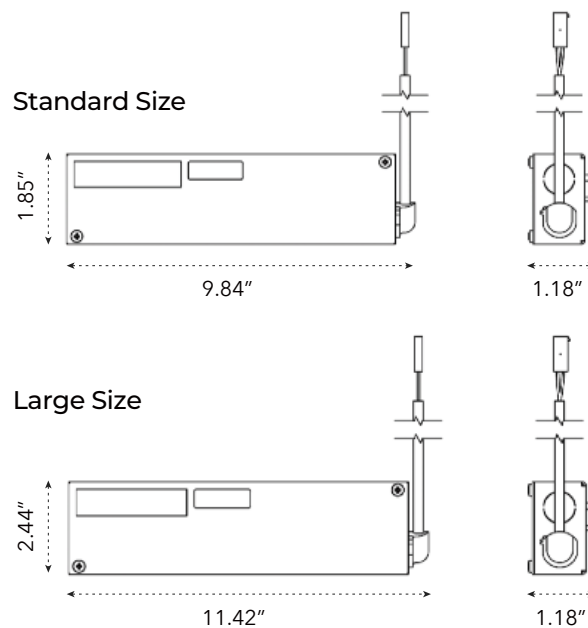
Commercial bar hanger #1487
 Butterfly and caterpillar brackets available



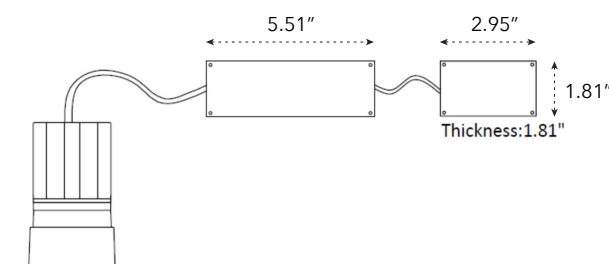
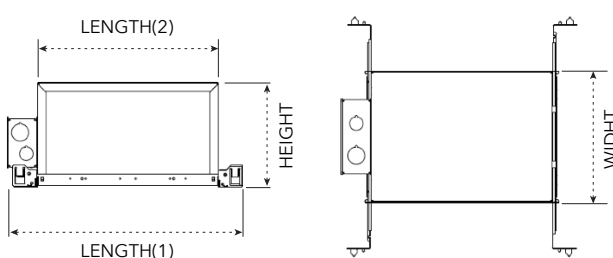
New Construction & Remodel Mounting



LED Driver Enclosure and Junction Box



Chicago Plenum / Airtight



2-sectional driver and wiring box will ship when the AT/CP option is selected. Also can be used for plenum space issues.

Length	Width	Height
11 3/4"	8 1/2"	6 3/4"

Project: _____ Type: _____ Qty: _____

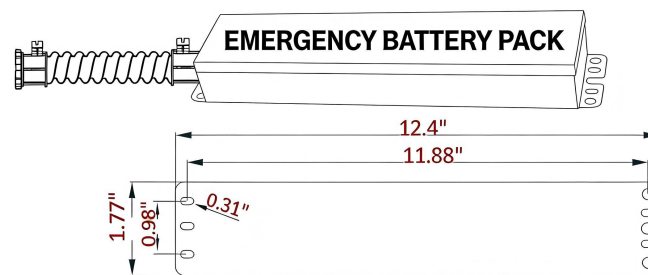
EMERGENCY

PRIMARY SPECIFICATIONS

Output Power Max	Input Power	Input Current Max	Emergency Operating Time	Battery	Input Voltage	Output Voltage	Ambient Operating Temperature	UL Listed for Us and Canada
10W	4W	100 mA	90 min.	Li-ion 18650 7.4V 2500mAh	120-277 Vac 50/60Hz	12-55 VDC	0 °C through 55 °C	ULand cUL (UL924) Emergency LED Driver

Dimensions / Weight

Length	12.4"	Height	1.1"
Width	1.77"	Mounting Length	11.88"
Weight	247 lb		



REMOTE TEST SWITCH

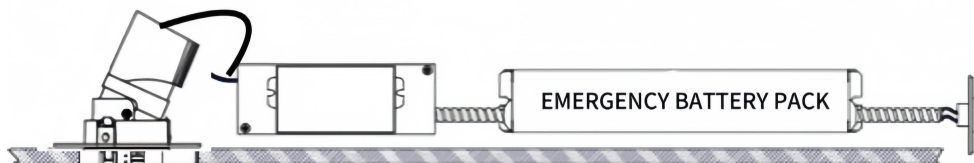
The remote test switch may be mounted adjacent to the LED fixture by others.

EMERGENCY BATTERY ACCESS

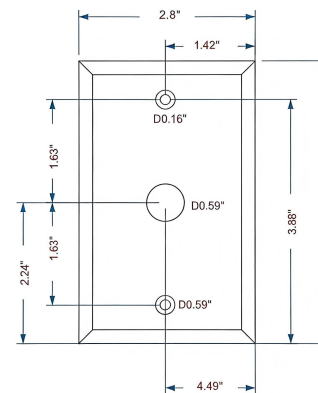
Above ceiling access is recommended for ease of service, but LED fixture sizes of 4" and larger are capable of below ceiling access. IC/ICAT/CP box and ITS option require an access panel in the ceiling (or other form of access) adjacent to the installation location of the emergency battery.

REMOTE LOCATION

Maximum remote mounting distance of the emergency driver shall be 50 feet. Remote location wiring provided by others. Follow all local and national electric/building codes.



WALL PLATE ACCESSORIES



TEST SWITCH

