

Project:	Type:	Qty:
----------	-------	------



## FEATURES

Modular design, field replaceable LED module, trim, beam lens, and accessories

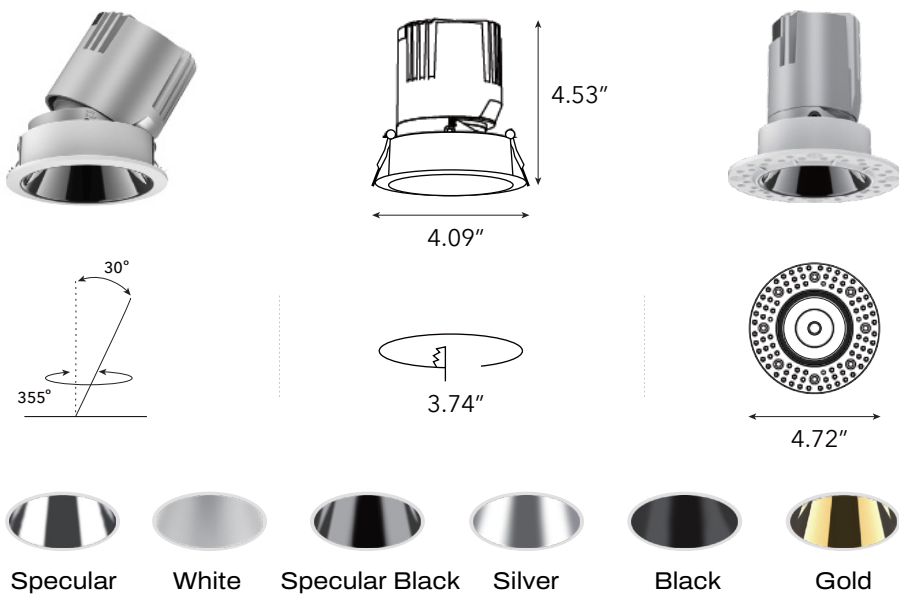
Interchangeable secondary reflector options for glare control and maximum visual comfort.

Quiet ceiling achieved through deep regress.

Precise light control, 10°/15°/24°/38°/55° TIR lens beam options.

Offered standard with flicker free dimming to 1% and premium, fade-to-off dimming (.1%), option available.

## SPECIFICATIONS



<b>Input Voltage</b>	100-277V AC
<b>Wattage</b>	25W
<b>Delivered Lumens</b>	2175Lm +/-5%
<b>LED</b>	<3-Step MacAdam Ellipse (2-Step Available)
<b>CCT</b>	27K, 30K, 35K, 40K, D2W, TW
<b>CRI</b>	>90Ra
<b>Beam Angle</b>	TIR Lens 10°/15°/24°/36°/55°
<b>Adjustability</b>	Max Tilt Angle 30° / Horizontal Rotation Angle 355°
<b>Dimming</b>	Trimode Dimming / Triac / 0-10V (100%-1%)
<b>Lamp Life</b>	50,000Hr
<b>Environment</b>	IP44
<b>Operating Temp</b>	-4° F - 104° F

## Order Code

ORDER CODE EXAMPLE: GO2LX-4"-RT-F-HO-35K-15D-SB-W-SF-D10-NC

SERIES	SIZE	TRIM	WATTAGE	CCT	BEAM ANGLE	FINISH	
Go2LX	4" Round Downlight	RT Round Trimmed	F Fixed	LO Low output (25W@88LM/W)	27K 2700K	10D 10 Degree	Reflector --- Leave Blank for wall wash pinhole or sbt Trim Options SP Specular WH White SB Specular Black SL Silver BK Black GD Gold
		RL Round Trimless	A Adjustable	HO High output (25W@ 88LM/W)	30K 3000K 35K 3500K 40K 4000K TW Tunable White 2700K-6500K WD Warm Dim 3000K-1800K	15D 15 Degree 24D 24 Degree 38D 38 Degree 55D 55 Degree	

OPTICAL ACCESSORIES	ENVIRONMENT	DIMMING	INSTALLATION TYPE	EMERGENCY BACKUP
SF Softening Lens HL Honeycomb Louver SO Solite Lens LS Linear Spread Lens	— Leave blank if "dry or damp location (IP44)" WET for exterior wet locations (under covered ceiling only)	ELV ELV/TRIAC Phase Cutting 3% D10 0/1-10V(100%-1%) FO1 0/1-10V(100%-1%) DAL DALI-2 Dim to off 0.1%	NC New Construction IC Insulation Contact CP Chicago Plenum/Airtight	EM10 10 watts / 90 mins

Project:	Type:	Qty:
----------	-------	------

**PERFORMANCE**

90CRI/15W	2700K	3000K	3500K	4000K
15Degree	2189	2304	2420	2541
24Degree	2121	2233	2344	2461
38Degree	2192	2308	2423	2544
55Degree	2248	2366	2485	2609

Preliminary, pre-launch test-data. Delivered lumen values +/- 5%. Optical filters will reduce delivered lumen values

**OPTICAL LENS**



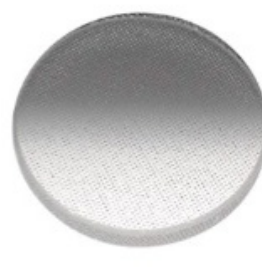
Soft Focus



Honeycomb



Linear Spread



Solite

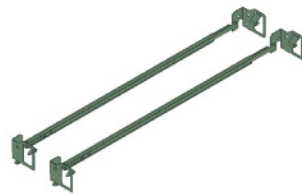
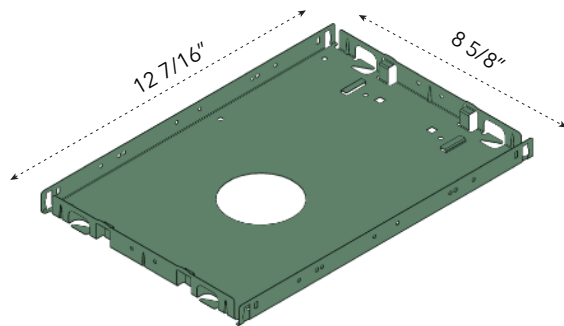
LIGHT LOSS FACTOR	
Honeycomb Louver	0.55
Solite Filter	0.70
Frosted Filter	0.70
Linear Spread Filter	0.70



Project:	Type:	Qty:
----------	-------	------

## MOUNTING OPTIONS

### NC - New Construction Frame-In Tray



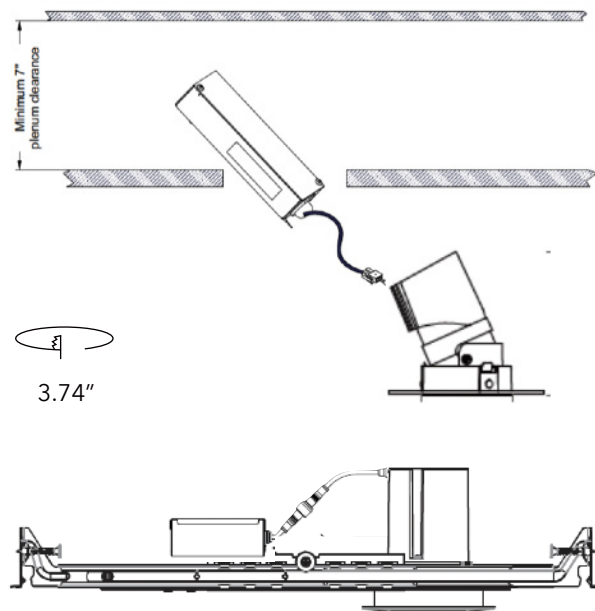
**Standard bar hanger (included)**  
 Mounting length 14 3/4" - 26".  
 Extension kit can be ordered separately.



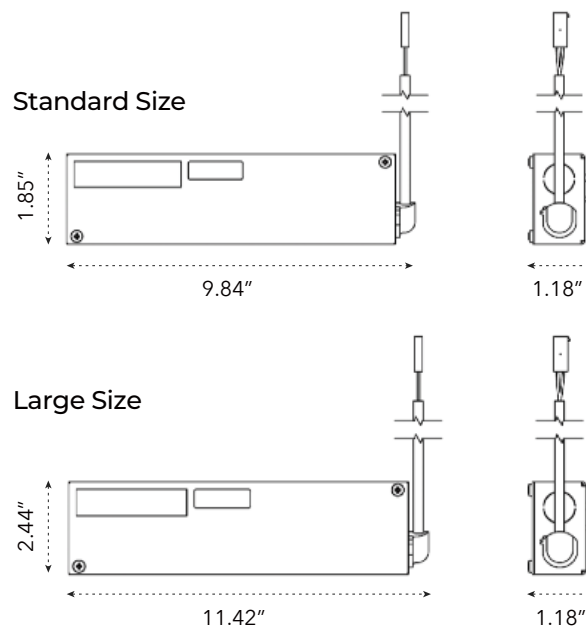
**Commercial bar hanger #1487**  
 Butterfly and caterpillar brackets available



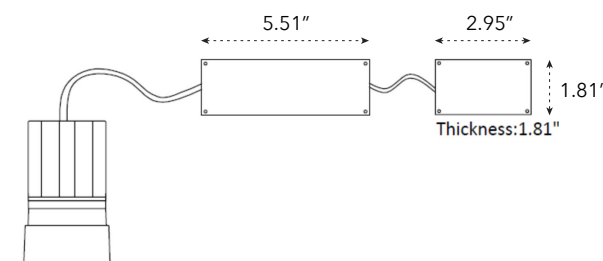
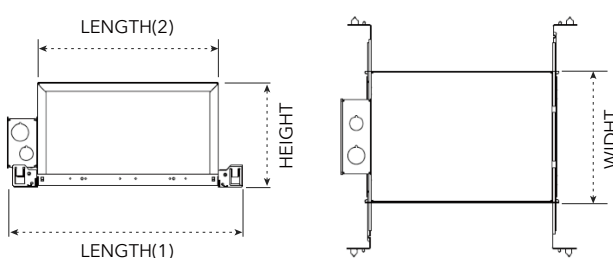
### New Construction & Remodel Mounting



### LED Driver Enclosure and Junction Box



### Chicago Plenum / Airtight



2-sectional driver and wiring box will ship when the AT/CP option is selected. Also can be used for plenum space issues.

Length	Width	Height
11 3/4"	8 1/2"	6 3/4"

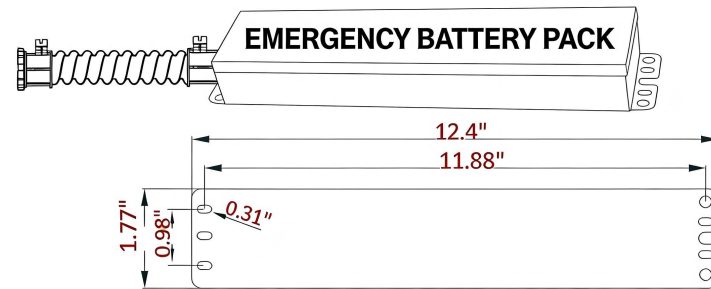
Project: \_\_\_\_\_ Type: \_\_\_\_\_ Qty: \_\_\_\_\_

## EMERGENCY

### PRIMARY SPECIFICATIONS

Output Power Max	Input Power	Input Current Max	Emergency Operating Time	Battery	Input Voltage	Output Voltage	Ambient Operating Temperature	UL Listed for Us and Canada
10W	4W	100 mA	90 min.	Li-ion 18650 7.4V 2500mAh	120-277 Vac 50/60Hz	12-55 VDC	0 °C through 55 °C	ULand cUL (UL924) Emergency LED Driver

Dimensions / Weight			
Length	12.4"	Height	1.1"
Width	1.77"	Mounting Length	11.88"
Weight	2.47 lb		



### REMOTE TEST SWITCH

The remote test switch may be mounted adjacent to the LED fixture by others.

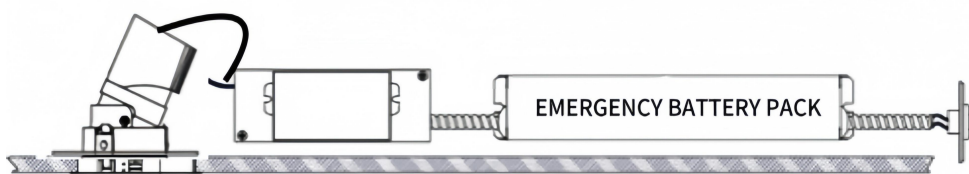
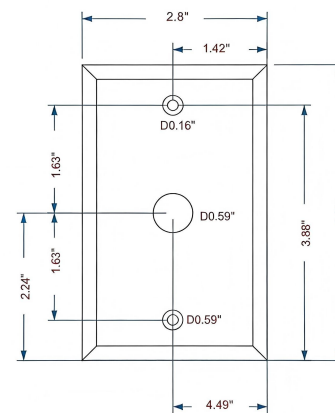
### EMERGENCY BATTERY ACCESS

Above ceiling access is recommended for ease of service, but LED fixture sizes of 4" and larger are capable of below ceiling access. IC/ICAT/CP box and ITS option require an access panel in the ceiling (or other form of access) adjacent to the installation location of the emergency battery.

### REMOTE LOCATION

Maximum remote mounting distance of the emergency driver shall be 50 feet. Remote location wiring provided by others. Follow all local and national electric/building codes.

### WALL PLATE ACCESSORIES



### TEST SWITCH

