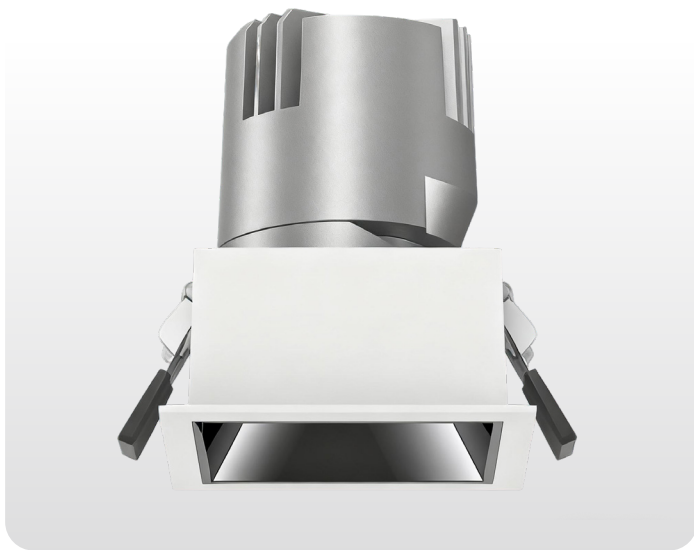


Project: \_\_\_\_\_ Type: \_\_\_\_\_ Qty: \_\_\_\_\_



## FEATURES

Modular design, field replaceable LED module, trim, beam lens, and accessories

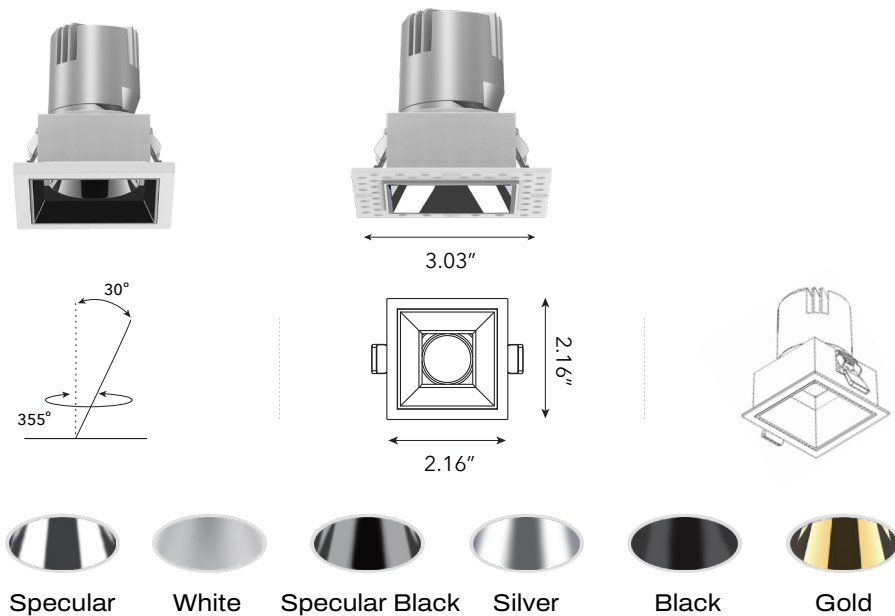
Interchangeable secondary reflector options for glare control and maximum visual comfort.

Quiet ceiling achieved through deep regress.

Precise light control, 15°/24°/38°/55° TIR lens beam options.

Offered standard with flicker free dimming to 1% and premium, fade-to-off dimming (.1%), option available.

## SPECIFICATIONS



<b>Input Voltage</b>	100-277V AC
<b>Wattage</b>	8W
<b>Delivered Lumens</b>	680Lm-840Lm +/-5%
<b>LED</b>	<3-Step MacAdam Ellipse (2-Step Available)
<b>CCT</b>	27K, 30K, 35K, 40K, D2W, TW
<b>CRI</b>	>90Ra
<b>Beam Angle</b>	TIR Lens 15°/24°/36°/55°
<b>Adjustability</b>	Max Tilt Angle 30° / Horizontal Rotation Angle 355°
<b>Dimming</b>	Trimode Dimming / Triac / 0-10V (100%-1%)
<b>Lamp Life</b>	50,000Hr
<b>Environment</b>	IP44
<b>Operating Temp</b>	-4° F - 104° F

## Order Code

ORDER CODE EXAMPLE: GO2LX-2"-ST-F-LO-40K-38D-BK-W-SF-D10-NC

SERIES	SIZE	TRIM	WATTAGE	CCT	BEAM ANGLE	FINISH		
Go2LX	2" Square Downlight	ST Square Trimmed	F Fixed	LO Low output (8W@64LM/W)	27K 2700K 30K 3000K 35K 3500K 40K 4000K TW Tunable White 2700K-6500K WD Warm Dim 3000K-1800K	10D 10 Degree 15D 15 Degree 24D 24 Degree 38D 38 Degree 55D 55 Degree	Reflector	Trim
		SL Square Trimless	A Adjustable	HO High output (8W@ 101LM/W)			--- Leave Blank for wall wash pinhole or sbt Trim Options SP Specular WH White SB Specular Black SL Silver BK Black GD Gold CS Custom	W White B Black C Custom

OPTICAL ACCESSORIES	ENVIRONMENT	DIMMING	INSTALLATION TYPE	EMERGENCY BACKUP
SF Softening Lens HL Honeycomb Louver SO Solite Lens LS Linear Spread Lens	— Leave blank if "dry or damp location (IP44)" WET for exterior wet locations (under covered ceiling only)	ELV ELV/TRIAC Phase Cutting 3% D10 0/1-10V(100%-1%) FO1 0/1-10V(100%-1%) DAL DALI-2 Dim to off 0.1%	NC New Construction IC Insulation Contact AT/CP Airtight RM Remodel	EM10 10 watts / 90 mins

Project:	Type:	Qty:
----------	-------	------

## PERFORMANCE

90CRI / 8W	2700K	3000K	3500K	4000K
15Degree	511	538	565	593
24Degree	593	624	655	688
38Degree	593	624	655	688
55Degree	698	735	772	810

## OPTICAL LENS



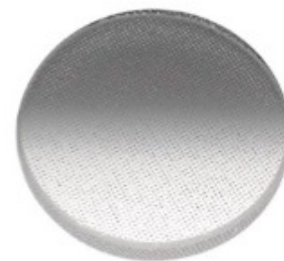
Soft Focus



Honeycomb



Linear Spread

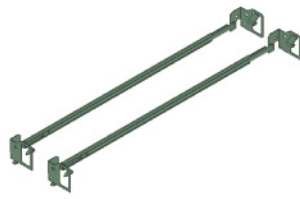
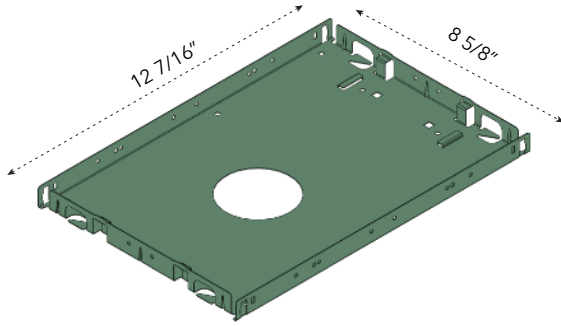


Solite

Project:	Type:	Qty:
----------	-------	------

## MOUNTING OPTIONS

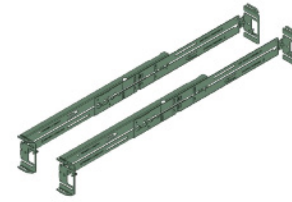
### NC - New Construction Frame-In Tray



**Standard bar hanger (included)**

Mounting Length 14 3/4" - 26".

Extension kit can be ordered separately.

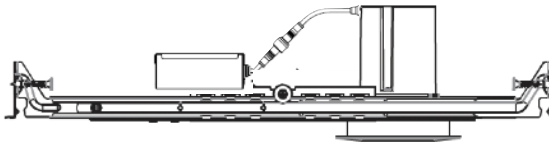
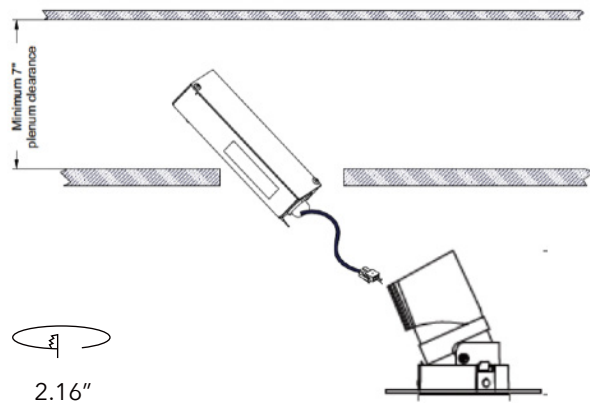


**Commercial bar hanger #1487**

Butterfly and Caterpillar brackets available



### New Construction & Remodel Mounting



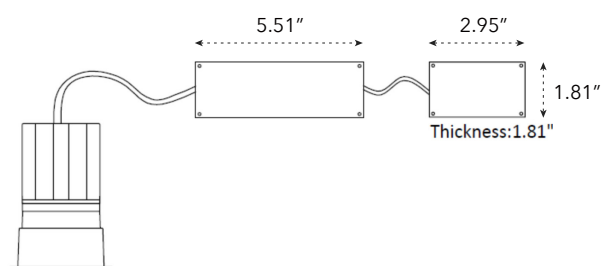
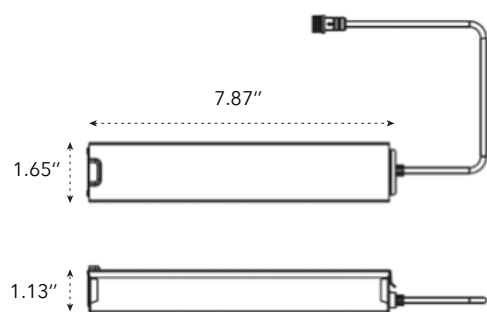
Note:

Small fixture housing and driver enclosure box assembly can be used for both new construction and remodel. For remodel application, no new construction tray is needed.

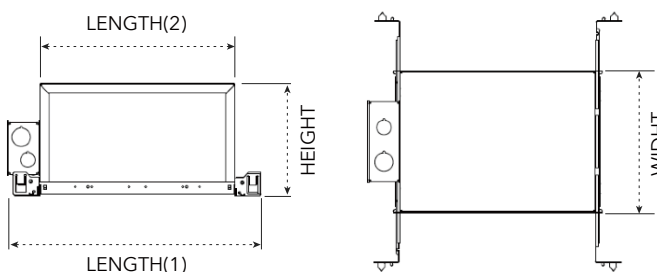
The ceiling cutout opening will be too small to fit your hand through it. So it is very important that the LED driver remains accessible by removing the lighting fixture, thus allowing you to inspect the connectors or LED driver at any time without physically damaging your ceiling or other building materials.

This mounting allows for installation from below the ceiling access and full serviceability of the LED driver and driver/junction box.

### LED Driver Enclosure and Junction Box



### Chicago Plenum / Airtight



Length	Width	Height
9 3/4"	8 1/2"	3 1/2"

2-sectional driver and wiring box will ship when the AT/CP option is selected. Also can be used for plenum space issues.

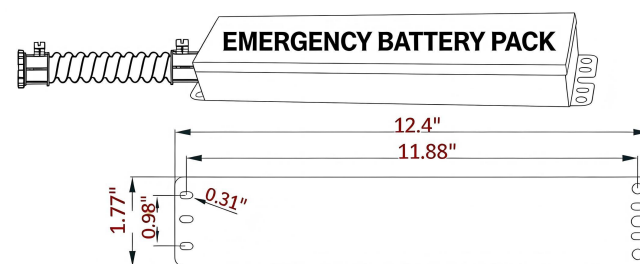
Project: \_\_\_\_\_ Type: \_\_\_\_\_ Qty: \_\_\_\_\_

## EMERGENCY

### PRIMARY SPECIFICATIONS

Output Power Max	Input Power	Input Current Max	Emergency Operating Time	Battery	Input Voltage	Output Voltage	Ambient Operating Temperature	UL Listed for Us and Canada
10W	4W	100 mA	90 min.	Li-ion 18650 7.4V 2500mAh	120-277 Vac 50/60Hz	12-55 VDC	0 °C through 55 °C	ULand cUL (UL924) Emergency LED Driver

Dimensions / Weight			
Length	12.4"	Height	1.1"
Width	1.77"	Mounting Length	11.88"
Weight	2.47 lb		



### REMOTE TEST SWITCH

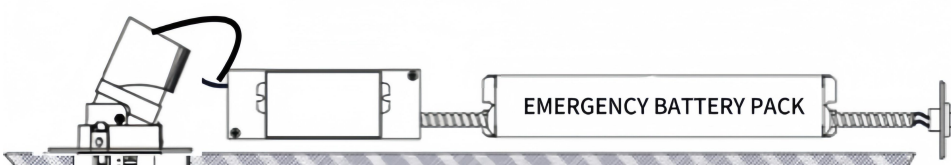
The remote test switch may be mounted adjacent to the LED fixture by others.

### EMERGENCY BATTERY ACCESS

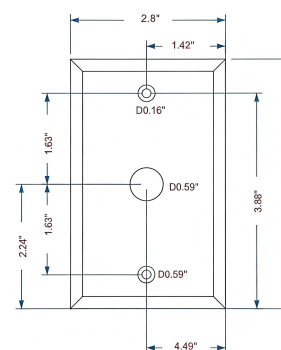
Above ceiling access is recommended for ease of service, but LED fixture sizes of 4" and larger are capable of below ceiling access. IC/ICAT/CP box and ITS option require an access panel in the ceiling (or other form of access) adjacent to the installation location of the emergency battery.

### REMOTE LOCATION

Maximum remote mounting distance of the emergency driver shall be 50 feet. Remote location wiring provided by others. Follow all local and national electric/building codes.



### WALL PLATE ACCESSORIES



### TEST SWITCH

