

Project:	Type:	Qty:
----------	-------	------



## FEATURES

Modular design, field replaceable LED module, trim, beam lens, and accessories



Interchangeable secondary reflector options for glare control and maximum visual comfort.



Quiet ceiling achieved through deep regress.



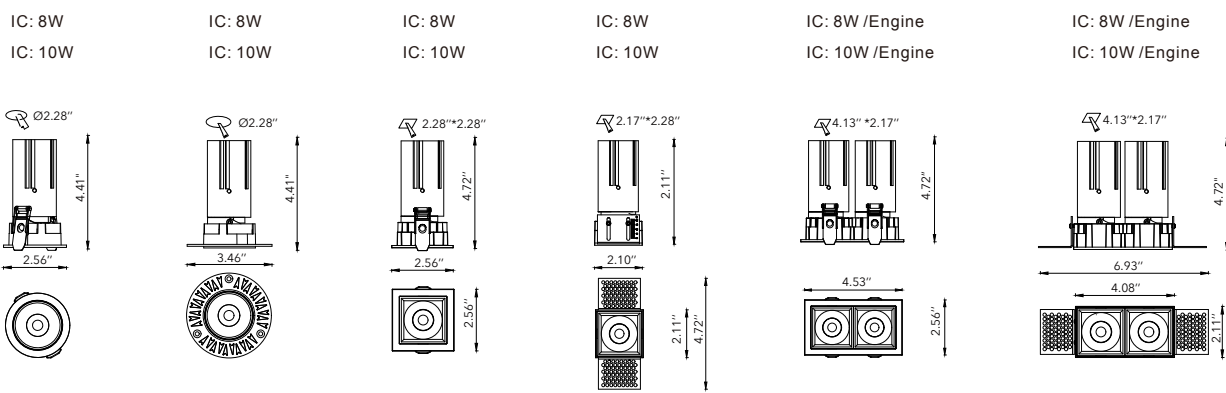
Precise light control, 10°/15°/24°/36°/55° TIR lens.



Offered standard with flicker free dimming to .1%.

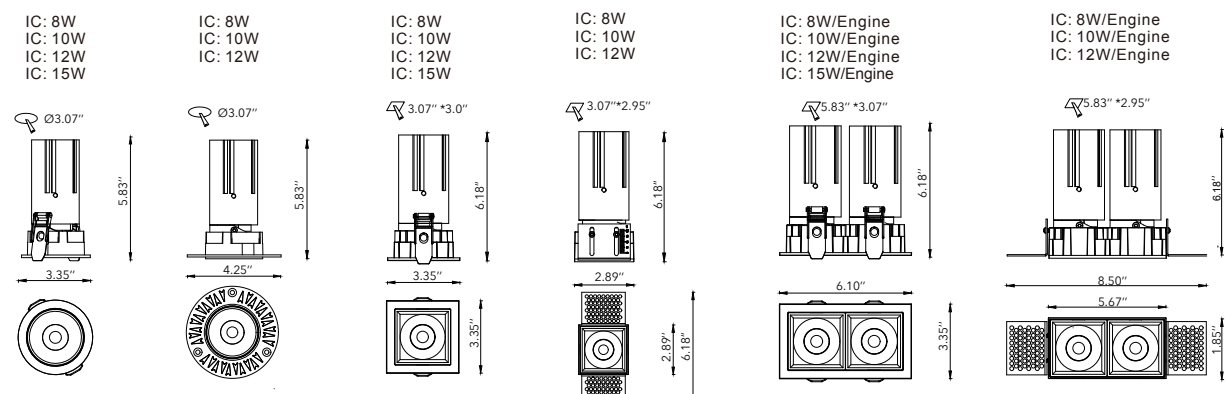
Type IC rated - approved for direct contact with insulation. No IC housing needed.

## SPECIFICATIONS 2"



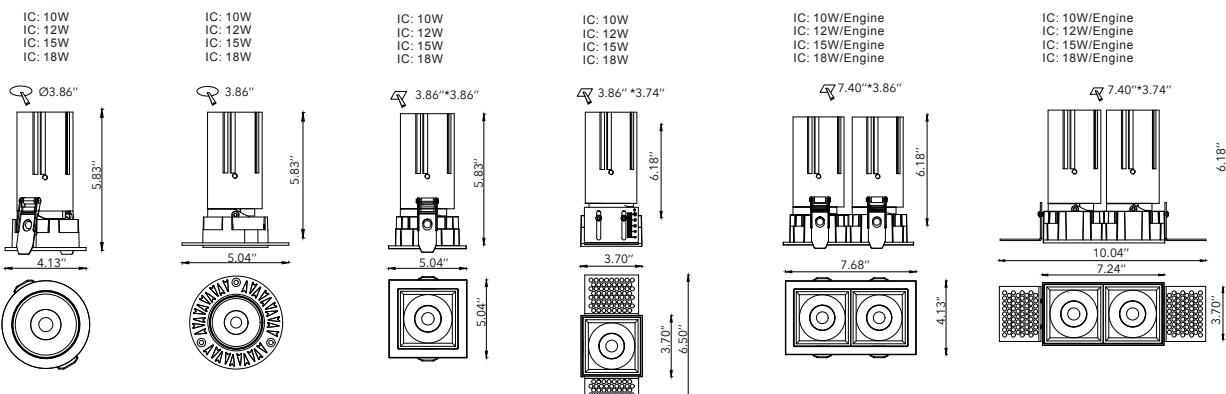
Input Voltage	100-277V AC
Wattage	8W / 10W
Delivered Lumens	480Lm-680Lm
LED	<3-Step MacAdam Ellipse (2-Step Available)
CCT	27K, 30K,35K,40K,50K(other CCTs available)
CRI	>90Ra
Adjustability	Max Tilt Angle 30° / Horizontal Rotation Angle 355°<19
Lamp Life	50,000Hr
Environment	IP20 & IP44
Heat Sink	Aluminum body with oxidized powder coating
Trim	Die-cast Aluminum
Operating Temp	-4°F-104°F

## SPECIFICATIONS 3"



Input Voltage	100-277V AC
Wattage	8W / 10W / 12W / 15W
Delivered Lumens	520Lm-1200Lm
LED	<3-Step MacAdam Ellipse (2-Step Available)
CCT	27K, 30K,35K,40K,50K(other CCTs available)
CRI	>90Ra
Adjustability	Max Tilt Angle 30° / Horizontal Rotation Angle 355°<19
Lamp Life	50,000Hr
Environment	IP20 & IP44
Heat Sink	Aluminum body with oxidized powder coating
Trim	Die-cast Aluminum
Operating Temp	-4°F-104°F

## SPECIFICATIONS 4"



Input Voltage	100-277V AC
Wattage	10W / 12W / 15W / 18W
Delivered Lumens	606Lm-1584Lm
LED	<3-Step MacAdam Ellipse (2-Step Available)
CCT	27K, 30K,35K,40K,50K(other CCTs available)
CRI	>90Ra
Adjustability	Max Tilt Angle 30° / Horizontal Rotation Angle 355°<19
Lamp Life	50,000Hr
Environment	IP20 & IP44
Heat Sink	Aluminum body with oxidized powder coating
Trim	Die-cast Aluminum
Operating Temp	-4°F-104°F

Project: \_\_\_\_\_ Type: \_\_\_\_\_ Qty: \_\_\_\_\_

## ORDER CODE ORDER CODE EXAMPLE: GO2VE-2-RT-F-LO-27K-24D-BK-B-SF-D10-NC-EM10

SERIES	SIZE	TRIM	WATTAGE	CCT	BEAM ANGLE	
Go2VE	2 2.0"	RT Round Trimmed	F Fixed	LO 8W / 544lm	27K 2700K	TIR Lens
		RL Round Trimless	A Adjustable	HO 10W / 680lm	30K 3000K	10D 10 Degree
		ST Square Trimmed	W <sup>1</sup> Wall wash	LO 8W / 640lm	35K 3500K	15D 15 Degree
	3 3.0"	SL Square Trimless	S <sup>2</sup> Shower Trim	MO 10W / 800lm	40K 4000K	24D 24 Degree
		ST2 Square Trimmed x 2	<sup>1</sup> only available for 3" option	HO 12W / 960lm	50K 5000K	36D 36 Degree
		SL2 Square Trimless x 2	<sup>2</sup> non-conductive trim for shower	XHO 15W / 1200lm	TW Tunable White 2700K-6500K	55D 55 Degree
	4 4.0"			LO 10W / 880lm	WD Warm Dim 3000K-1800K	
				MO 12W / 1056lm		
				HO 15W / 1320lm		
				XHO 18W / 1584lm		

FINISH	OPTICAL ACCESSORIES	ENVIRONMENT	DIMMING	INSTALLATION TYPE	EMERGENCY BACKUP	
Reflector WH White BK Black SV Sliver SG Specular Gold SB Specular Black SS Specular Silver	Trim W White B Black S Sliver BN Brush Nickel BR Bronze RAL# Custom	SF Soft Focus SL Solite Lens HL Hexcell Louver LS Linear Spread	— Leave blank if "dry or damp location (IP44)" WET for exterior wet locations (under covered ceiling only)	ELV Phase/Triac (3%) D10 0-10V (.1%) DAL DALI	NC New Construction Tray RM Remodel AT/CP Airtight/Chicago Plenum WC Wood Ceiling	EM10 10W/90 Min

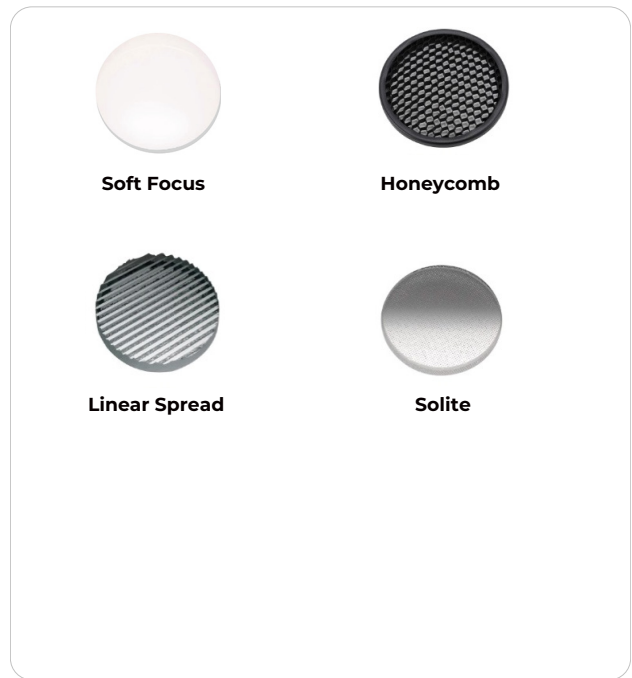
### TRIM OPTIONS



### REFLECTOR OPTIONS



### OPTICAL LENS



### PERFORMANCE 2"

90 CRI /2700K	10 DEGREE	15 DEGREE	24 DEGREE	36 DEGREE	55 DEGREE
8W	480Lm	496Lm	518Lm	528Lm	501.6Lm
10W	600Lm	620Lm	646Lm	660Lm	627Lm

90 CRI /3000K	10 DEGREE	15 DEGREE	24 DEGREE	36 DEGREE	55 DEGREE
8W	491Lm	512Lm	533Lm	544Lm	520Lm
10W	626Lm	640Lm	666Lm	680Lm	652Lm

### PERFORMANCE 3"

90 CRI /2700K	10 DEGREE	15 DEGREE	24 DEGREE	36 DEGREE	55 DEGREE
8W	520Lm	550Lm	580Lm	600Lm	570Lm
10W	655Lm	690Lm	730Lm	750Lm	712.5Lm
12W	785Lm	830Lm	870Lm	900Lm	855Lm
15W	980Lm	1030Lm	1100Lm	1125Lm	1070Lm

90 CRI /3000K	10 DEGREE	15 DEGREE	24 DEGREE	36 DEGREE	55 DEGREE
8W	590Lm	602Lm	627Lm	640Lm	620Lm
10W	735Lm	752Lm	784Lm	800Lm	768Lm
12W	885Lm	903Lm	940Lm	960Lm	920Lm
15W	1106Lm	1128Lm	1176Lm	1200Lm	1152Lm

### PERFORMANCE 4"

90 CRI /2700K	10 DEGREE	15 DEGREE	24 DEGREE	36 DEGREE	55 DEGREE
10W	758Lm	790Lm	823Lm	840Lm	815Lm
12W	910Lm	948Lm	987Lm	1008Lm	977Lm
15W	1137Lm	1185Lm	1230Lm	1260Lm	1220Lm
18W	1365Lm	1422Lm	1481Lm	1512Lm	1466Lm

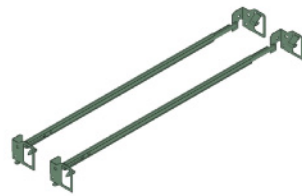
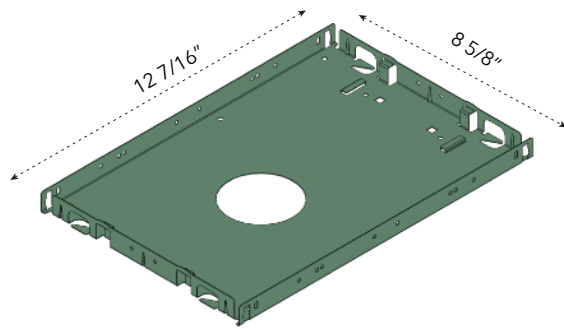
90 CRI /3000K	10 DEGREE	15 DEGREE	24 DEGREE	36 DEGREE	55 DEGREE
10W	794Lm	827Lm	862Lm	880Lm	844Lm
12W	953Lm	993Lm	1034Lm	1056Lm	1013Lm
15W	1192Lm	1241Lm	1293Lm	1320Lm	1267Lm
18W	1430Lm	1490Lm	1552Lm	1584Lm	1520Lm

In an effort to offer the best product possible, we reserve the right to change, without notice, specification or material of the product.

Project:	Type:	Qty:
----------	-------	------

## MOUNTING OPTIONS

### NC - New Construction Frame-In Tray



**Standard bar hanger (included)**

Mounting length 14 3/4" - 26".  
Extension kit can be ordered separately.

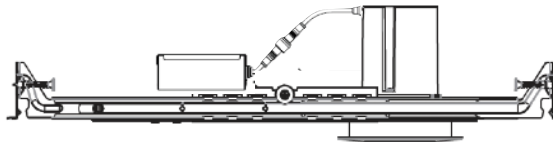
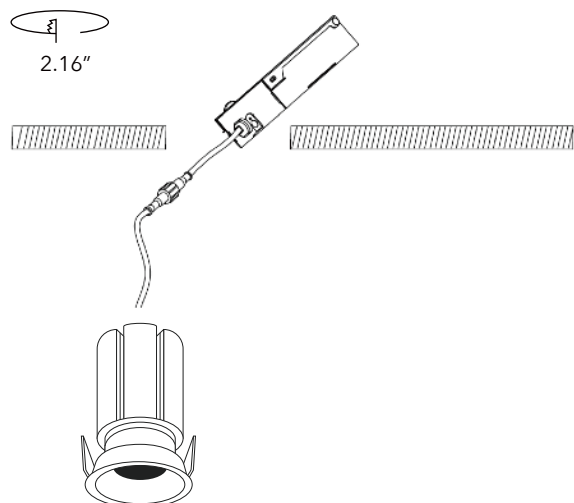


**Commercial bar hanger #1487**

Butterfly and caterpillar brackets available



### New Construction & Remodel Mounting



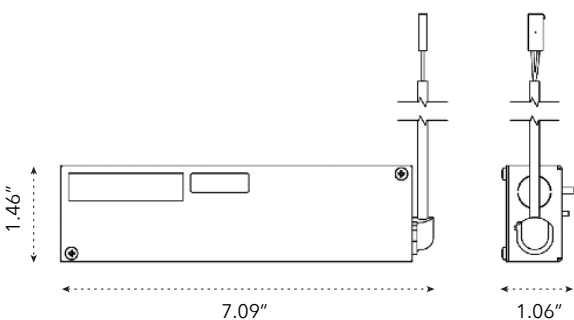
**Note:**

Small fixture housing and driver enclosure box assembly can be used for both new construction and remodel. For remodel application, no new construction tray is needed.

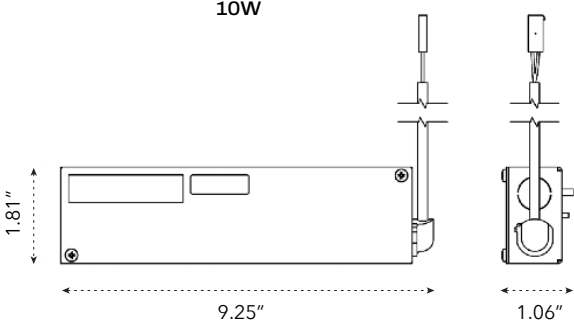
The ceiling cutout opening will be too small to fit your hand through it. So it is very important that the LED driver remains accessible by removing the lighting fixture, thus allowing you to inspect the connectors or LED driver at any time without physically damaging your ceiling or other building materials.

This mounting allows for installation from below the ceiling access and full serviceability of the LED driver and driver/junction box.

### LED Driver Enclosure and Junction Box

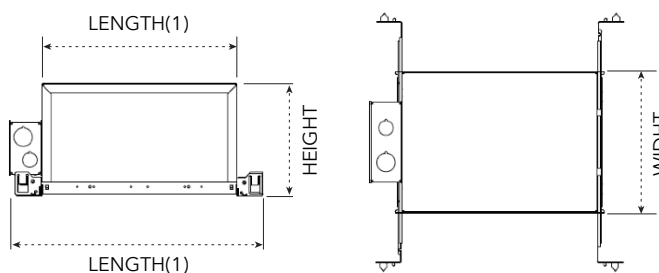


**10W**

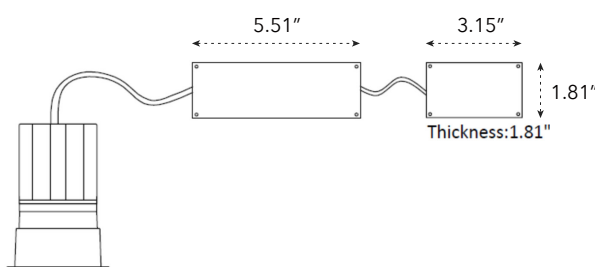


**15W**

### Chicago Plenum / Airtight



Length	Width	Height
11 3/4"	8 1/2"	4 3/4"
		6 3/4"



2-sectional driver and wiring box will ship when the AT/CP option is selected. Also can be used for plenum space issues.

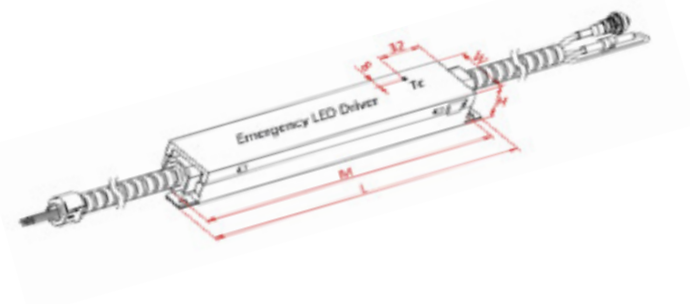
Project:	Type:	Qty:
----------	-------	------

## EMERGENCY

### PRIMARY SPECIFICATIONS

Output Power Max	Input Power	Input Current Max	Emergency Operating Time	Battery	Input Voltage	Output Voltage	Ambient Operating Temperature	UL Listed for Us and Canada
10W	4W	60 mA	90 min.	LiFePO <sub>4</sub> 24 Hour recharge 7 to 10 year Life expectancy	120-277 Vac 50/60Hz	12-55 V <sup>1</sup>	0 °C through 55 °C	ULand cUL (UL924) Emergency LED Driver

Dimensions / Weight			
Length	9.5"	Height	1.2"
Width	1.7"	Mounting Length	8.9"
Weight	2.09 lb		



### REMOTE TEST SWITCH

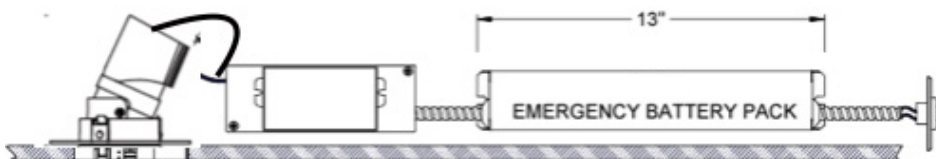
The remote test switch may be mounted adjacent to the LED fixture by others.

### EMERGENCY BATTERY ACCESS

Above ceiling access is recommended for ease of service, but LED fixture sizes of 4" and larger are capable of below ceiling access. IC/ICAT/CP box and ITS option require an access panel in the ceiling (or other form of access) adjacent to the installation location of the emergency battery.

### REMOTE LOCATION

Maximum remote mounting distance of the emergency driver shall be 50 feet. Remote location wiring provided by others. Follow all local and national electric/building codes.



### WALL PLATE ACCESSORIES

