

Project: _____ Type: _____ Qty: _____



FEATURES

Modular design, field replaceable LED module, trim, beam lens, and accessories.



Interchangeable secondary reflector options for glare control and maximum visual comfort.



Quiet ceiling achieved through deep regress.



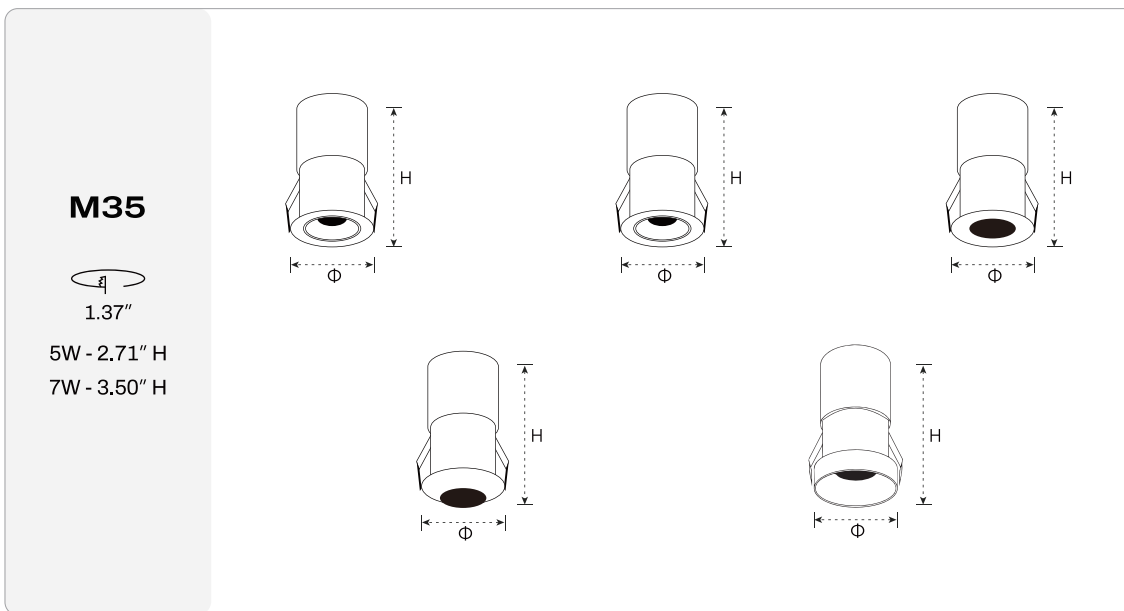
precise light control, 15°/24°/36°/50° TIR lens and Reflector lens options.



Offered standard with flicker free dimming to 1% and premium, fade-to-off dimming (.5%), option available.

Type IC Rated (approved for direct contact with insulation).
Two, Three and Four gang (clusters) available upon request.

SPECIFICATIONS



Input Voltage	100-277V AC
Wattage	5W / 7W
Delivered Lumens	440Lm-600Lm
LED	<3-Step MacAdam Ellipse (2-Step Available)
CCT	27K, 30K, 35K, 40K
CRI	>90Ra
Adjustability	Max Tilt Angle 30° / Horizontal Rotation Angle 355°
Lamp Life	50,000Hr
Environment	IP20 & IP44
Heat Sink	Aluminum body with oxidized powder coating
Trim	Die-cast Aluminum
Operating Temp	-4° F - 104° F

Order Code

ORDER CODE EXAMPLE: GO2MINI-M35-BEV-5W-27K-R24D-WH-W-LS-ELV-H3-NC-EM10

SERIES	SIZE	TRIM	WATAGE	CCT	BEAM ANGLE	FINISH	
Go2 Mini	M35 1.5"	M35 Options			Reflector Lens OR TIR Lens		Reflector Trim
		BEV Bevel BUL Bullnose PNH Pinhole SNT Snoot BEL Bell	5W 440lm 7W 600lm	27K 2700K 30K 3000K 35K 3500K 40K 4000K TW Tunable White 2700K-6500K	R24D 24 Degree R36D 36 Degree	T15D 15 Degree T24D 24 Degree T36D 36 Degree T50D 50 Degree	WH White BL Black SV Silver SP Specular SB Specular Black SG Specular Gold <small>*Available for Bevel only</small>

OPTICAL ACCESSORIES	DIMMING	HEAD CONFIGURATION *	INSTALLATION TYPE	EMERGENCY BACKUP
No Lens (leave blank) HL Hexcell Louver LS Linear Spread	ELV Phase/Triac(3%) D10 0-10V(.1%)	H1 Single Head (1 Driver / 1 Luminaire) H2 2 Heads Cluster (1 Driver / 2 Luminaires) H3 3 Heads Cluster (1 Driver / 3 Luminaires) H4 4 Heads Cluster (1 Driver / 4 Luminaires) H5 5 Heads Cluster (1 Driver / 5 Luminaires)	NC New Construction Tray RM Remodel (no NCTray)	EM10 10W/90 Min

One driver can power multiple Go2 Mini heads in a cluster. The appropriate driver output will be determined and supplied by the factory according to the combined luminaire load.

Project:	Type:	Qty:
----------	-------	------

TRIM OPTIONS



Bevel



Pinhole



Snoot



Bullnose



Bell

REFLECTOR OPTIONS



White



Black



Silver



Specular



Black Specular



Gold

PERFORMANCE

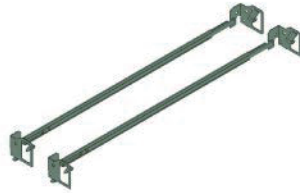
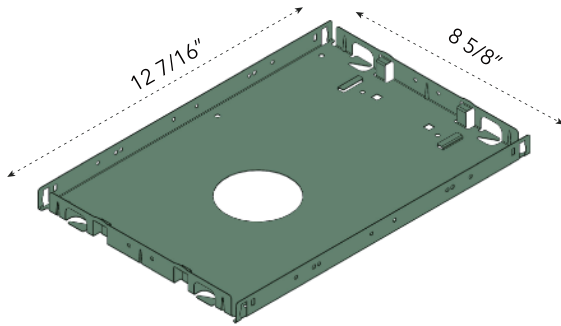
90 CRI / 3000K	15 Degree	24 Degree	38 Degree	50 Degree
5W	380Lm	400Lm	420Lm	440Lm
7W	540Lm	560Lm	580Lm	600Lm

Preliminary, pre-launch test-data. Delivered lumen values +/- 5%. Optical filters will reduce delivered lumen values

Project:	Type:	Qty:
----------	-------	------

MOUNTING OPTIONS

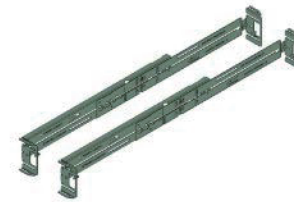
NC - New Construction Frame-In Tray



Standard bar hanger (included)

Mounting Length 14 3/4" - 26".

Extension kit can be ordered separately.

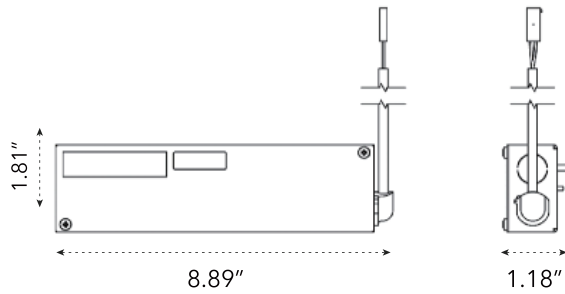


Commercial bar hanger #1487

Butterfly and Caterpillar brackets available



New Construction & Remodel Mounting



Project: _____ Type: _____ Qty: _____

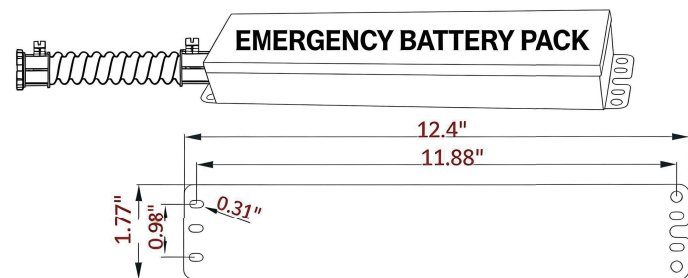
EMERGENCY

PRIMARY SPECIFICATIONS

Output Power Max	Input Power	Input Current Max	Emergency Operating Time	Battery	Input Voltage	Output Voltage	Ambient Operating Temperature	UL Listed for Us and Canada
10W	4W	100 mA	90 min.	Li-ion 18650 7.4V 2500mAh	120-277 Vac 50/60Hz	12-55 VDC	0 °C through 55 °C	ULand cUL (UL924) Emergency LED Driver

Dimensions / Weight

Length	12.4"	Height	1.1"
Width	1.77"	Mounting Length	11.88"
Weight	2.47 lb		



REMOTE TEST SWITCH

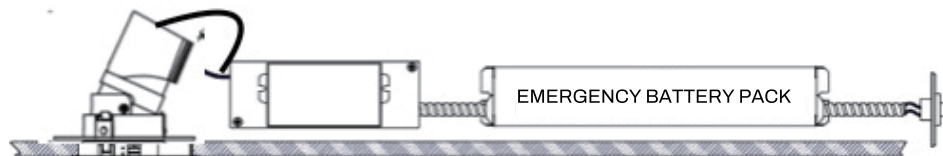
The remote test switch may be mounted adjacent to the LED fixture by others.

EMERGENCY BATTERY ACCESS

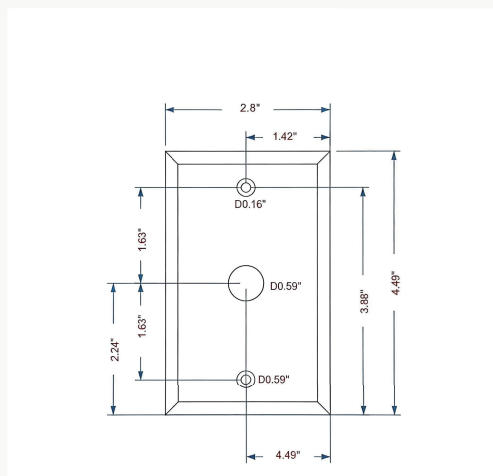
Above ceiling access is recommended for ease of service, but LED fixture sizes of 4" and larger are capable of below ceiling access. IC/ICAT/CP box and ITS option require an access panel in the ceiling (or other form of access) adjacent to the installation location of the emergency battery.

REMOTE LOCATION

Maximum remote mounting distance of the emergency driver shall be 50 feet. Remote location wiring provided by others. Follow all local and national electric/building codes.



WALL PLATE ACCESSORIES



TEST SWITCH

