

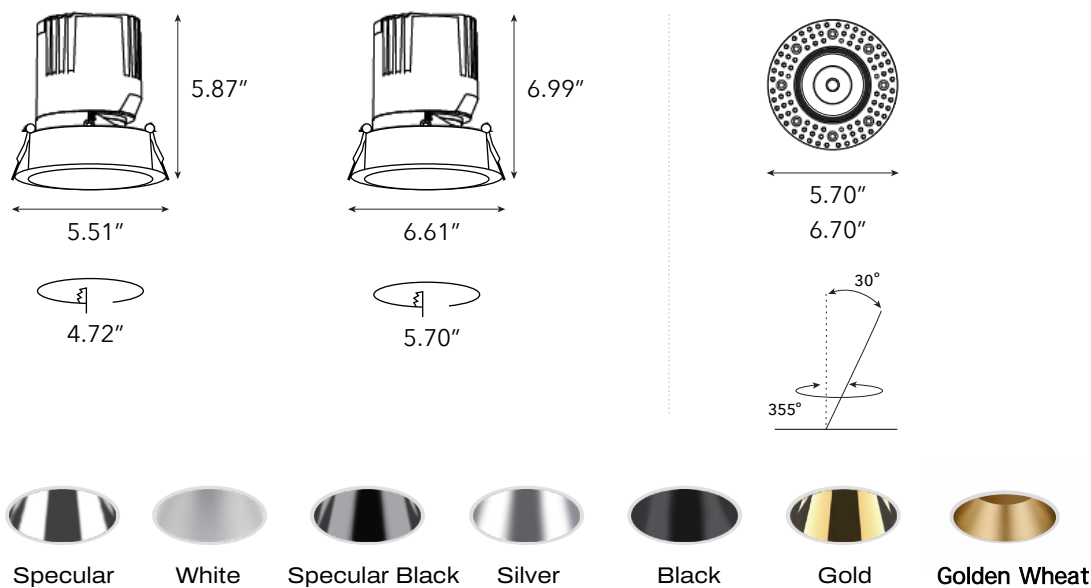
Project:	Type:	Qty:
----------	-------	------



FEATURES

- Modular design, field replaceable LED module, trim, beam lens, and accessories
- Interchangeable secondary reflector options for glare control and maximum visual comfort.
- Quiet ceiling achieved through deep regress.
- Precise light control, 10°/15°/24°/38°/55° TIR lens beam options.
- Offered standard with flicker free dimming to 1% and fade-to-off dimming (.1%), option available.

SPECIFICATIONS



Input Voltage	100-277V AC
Wattage	30W, 35W, 50W, 55W
Delivered Lumens	2550-4675Lm +/-5%
LED	<3-Step MacAdam Ellipse (2-Step Available)
CCT	27K, 30K, 35K, 40K, D2W, TW
CRI	>90Ra
Beam Angle	TIR Lens 10°/15°/24°/36°/55°
Adjustability	Max Tilt Angle 30° / Horizontal Rotation Angle 355°
Dimming	Trimode Dimming / Triac / 0-10V (100%-1%)
Lamp Life	50,000Hr
Environment	IP20 & IP44
Operating Temp	-4° F - 104° F



Order Code

ORDER CODE EXAMPLE: GO2LX-5"-RT-F-50W-40K-38D-SB-W-SF-D10-NC

SERIES	SIZE	TRIM	WATTAGE	CCT	BEAM ANGLE	FINISH
Go2LX	5" Round Downlight	RT Round Trimmed	30W 2460Lm 35W 2870Lm 50W 4100Lm 55W 4510Lm	27K 2700K 30K 3000K 35K 3500K 40K 4000K TW Tunable White 2700K-6500K WD Warm Dim 3000K-1800K	10D 10 Degree 15D 15 Degree 24D 24 Degree 38D 38 Degree 55D 55 Degree	Reflector
	6" Round Downlight	RL Round Trimless				F Fixed A Adjustable

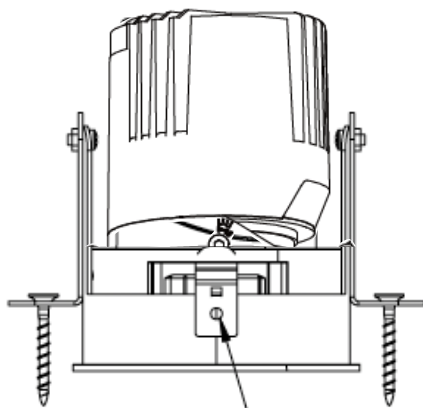
OPTICAL ACCESSORIES	ENVIRONMENT	DIMMING	INSTALLATION TYPE	ADDITIONAL OPTIONS
SF Softening Lens HL Honeycomb Louver SO Solite Lens LS Linear Spread Lens	— Leave blank if "dry or damp location (IP44)" WET for exterior wet locations (under covered ceiling only)	ELV ELV/TRIAC Phase Cutting 3% D10 0/1-10V(100%-1%) DAL DALI-2 Dim to off 0.1%	NC New Construction RM Remodel AT/CP Airtight WC Wood ceiling IC Insulation Contact	EM10 10 watts / 90 mins 2SD 2-sectioned driver box LG Standard large driver box

Project:	Type:	Qty:
----------	-------	------

ADDITIONAL VIEWS

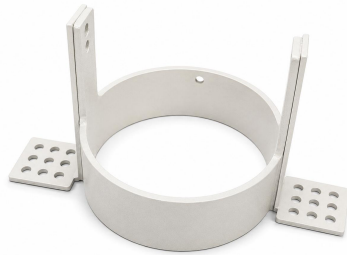


Trimless



Spring welding

Wood Ceiling Adapter



*For wood ceilings over 1" thick, specify ceiling thickness for proper spring clip selection. Ceilings over 2" require an extended collar.



Adjustable

OPTICAL LENS



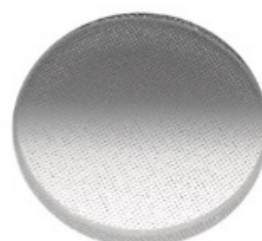
Softening
(frosted filter)



Honeycomb



Linear Spread



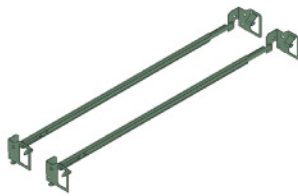
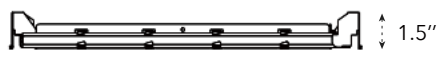
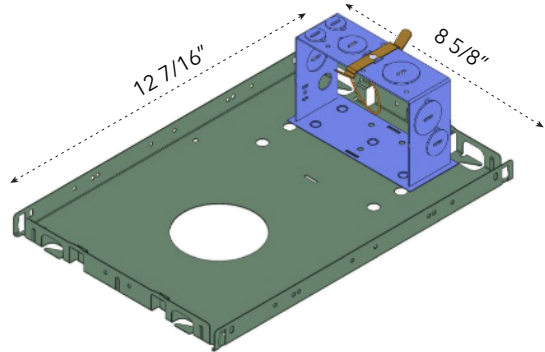
Solite

LIGHT LOSS FACTOR	
Honeycomb Louver	0.55
Solite Filter	0.70
Frosted Filter	0.70
Linear Spread Filter	0.70

Project:	Type:	Qty:
----------	-------	------

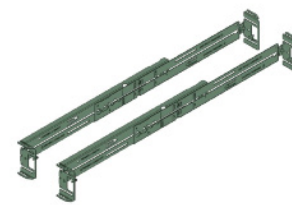
MOUNTING OPTIONS

NC - New Construction Frame-In Tray



Standard bar hanger (included)

Mounting length 14 3/4" - 26" .
Extension kit can be ordered separately.

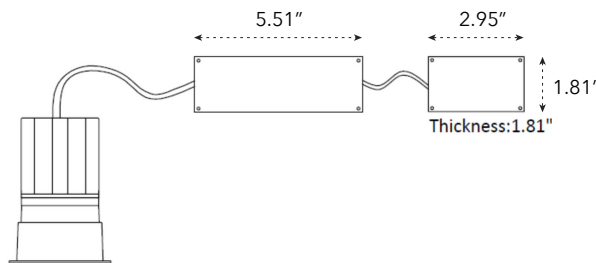
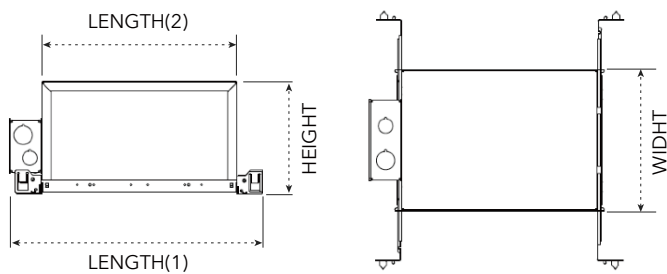


Commercial bar hanger #1487

Butterfly and caterpillar brackets available



Chicago Plenum / Airtight



2-sectional driver and wiring box will ship when the AT/CP option is selected. Also can be used for plenum space issues.

Length	Width	Height
14 7/8"	12"	8 1/2"

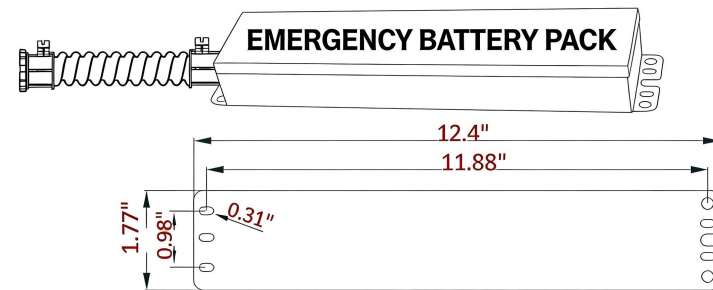
Project: _____ Type: _____ Qty: _____

EMERGENCY

PRIMARY SPECIFICATIONS

Output Power Max	Input Power	Input Current Max	Emergency Operating Time	Battery	Input Voltage	Output Voltage	Ambient Operating Temperature	UL Listed for Us and Canada
10W	4W	100 mA	90 min.	Li-ion 18650 7.4V 2500mAh	120-277 Vac 50/60Hz	12-55 VDC	0 °C through 55 °C	ULand cUL (UL924) Emergency LED Driver

Dimensions / Weight			
Length	12.4"	Height	1.1"
Width	1.77"	Mounting Length	11.88"
Weight	2.47 lb		



REMOTE TEST SWITCH

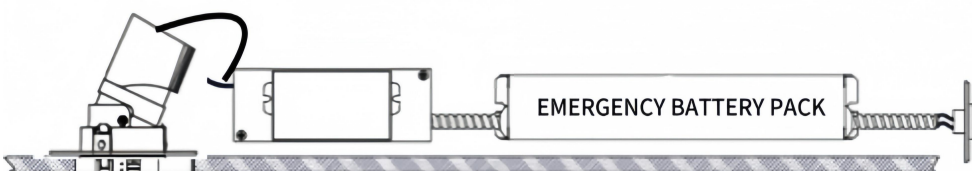
The remote test switch may be mounted adjacent to the LED fixture by others.

EMERGENCY BATTERY ACCESS

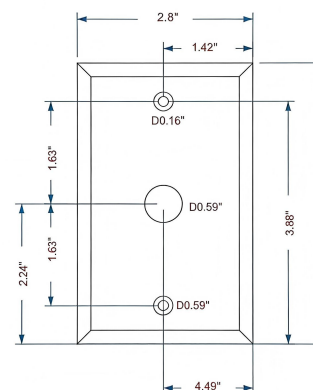
Above ceiling access is recommended for ease of service, but LED fixture sizes of 4" and larger are capable of below ceiling access. IC/ICAT/CP box and ITS option require an access panel in the ceiling (or other form of access) adjacent to the installation location of the emergency battery.

REMOTE LOCATION

Maximum remote mounting distance of the emergency driver shall be 50 feet. Remote location wiring provided by others. Follow all local and national electric/building codes.



WALL PLATE ACCESSORIES



TEST SWITCH

