

Project:	Type:	Qty:
----------	-------	------



## FEATURES

Modular design, field replaceable LED module, trim, beam lens, and accessories

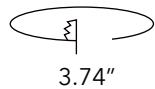
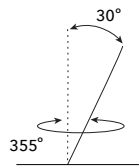
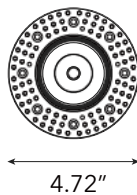
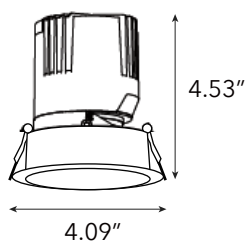
Interchangeable secondary reflector options for glare control and maximum visual comfort.

Quiet ceiling achieved through deep regress.

Precise light control, 10°/15°/24°/38°/55° TIR lens beam options.

Offered standard with flicker free dimming to 1% and premium, fade-to-off dimming (.1%), option available.

## SPECIFICATIONS



<b>Input Voltage</b>	100-277V AC
<b>Wattage</b>	25W
<b>Delivered Lumens</b>	2175Lm +/-5%
<b>LED</b>	<3-Step MacAdam Ellipse (2-Step Available)
<b>CCT</b>	27K, 30K, 35K, 40K, D2W, TW
<b>CRI</b>	>90Ra
<b>Beam Angle</b>	TIR Lens 10°/15°/24°/36°/55°
<b>Adjustability</b>	Max Tilt Angle 30° / Horizontal Rotation Angle 355°
<b>Dimming</b>	Trimode Dimming / Triac / 0-10V (100%-1%)
<b>Lamp Life</b>	50,000Hr
<b>Environment</b>	IP44
<b>Operating Temp</b>	-4° F - 104° F

## Order Code

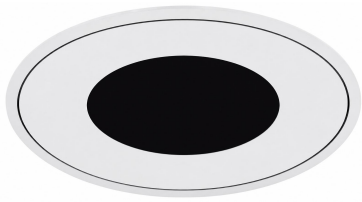
**ORDER CODE EXAMPLE: GO2LX-4"-RT-F-HO-35K-15D-SB-W-SF-D10-NC**

SERIES	SIZE	TRIM	WATTAGE	CCT	BEAM ANGLE	FINISH	
Go2LX	4" Round Downlight	<b>RT</b> Round Trimmed <b>RL</b> Round Trimless	<b>F</b> Fixed <b>A</b> Adjustable <b>P</b> Pinhole	<b>LO</b> Low output (25W@88LM/W) <b>HO</b> High output (25W@ 95LM/W)	<b>27K</b> 2700K <b>30K</b> 3000K <b>35K</b> 3500K <b>40K</b> 4000K <b>TW</b> Tunable White 2700K-6500K <b>WD</b> Warm Dim 3000K-1800K	<b>10D</b> 10 Degree <b>15D</b> 15 Degree <b>24D</b> 24 Degree <b>38D</b> 38 Degree <b>55D</b> 55 Degree	Reflector --- Leave Blank for wall wash pinhole or sbt Trim Options <b>SP</b> Specular <b>WH</b> White <b>SB</b> Specular Black <b>SL</b> Silver <b>BK</b> Black <b>GD</b> Gold <b>GW</b> Gold Wheat Trim <b>W</b> White <b>B</b> Black <b>C</b> Custom

OPTICAL ACCESSORIES	ENVIRONMENT	DIMMING	INSTALLATION TYPE	ADDITIONAL OPTIONS
<b>SF</b> Softening Lens <b>HL</b> Honeycomb Louver <b>SO</b> Solite Lens <b>LS</b> Linear Spread Lens	— Leave blank if "dry or damp location "IP44" <b>IP54</b> Dust-protected wet locations <b>IP65</b> High moisture environments	<b>ELV</b> ELV/TRIAC Phase Cutting 3% <b>D10</b> 0/1-10V(100%-1%) <b>DAL</b> DALI-2 Dim to off 0.1%	<b>NC</b> New Construction <b>RM</b> Remodel <b>AT/CP</b> Airtight <b>WC</b> Wood Ceiling <b>IC</b> Insulation Contact	<b>EM10</b> 10 watts / 90 mins <b>2SD</b> 2-sectioned driver box <b>LG</b> Standard large driver box

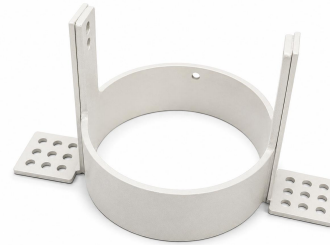
Project:	Type:	Qty:
----------	-------	------

## TRIM



Trimmed Pinhole

## WOOD CEILING ADAPTER



\*For wood ceilings over 1" thick, specify ceiling thickness for proper spring clip selection. Ceilings over 2" require an extended collar.

## PERFORMANCE

90CRI/25W	2700K	3000K	3500K	4000K
15Degree	2189	2304	2420	2541
24Degree	2121	2233	2344	2461
38Degree	2192	2308	2423	2544
55Degree	2248	2366	2485	2609

Preliminary, pre-launch test-data. Delivered lumen values +/- 5%. Optical filters will reduce delivered lumen values

## OPTICAL LENS



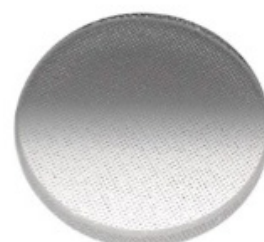
Soft Focus



Honeycomb



Linear Spread



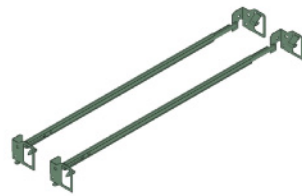
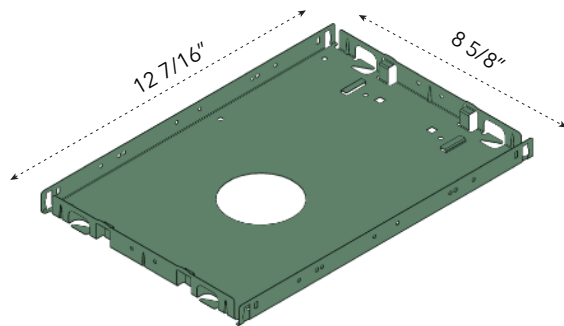
Solite

LIGHT LOSS FACTOR	
Honeycomb Louver	0.55
Solite Filter	0.70
Frosted Filter	0.70
Linear Spread Filter	0.70

Project:	Type:	Qty:
----------	-------	------

## MOUNTING OPTIONS

### NC - New Construction Frame-In Tray



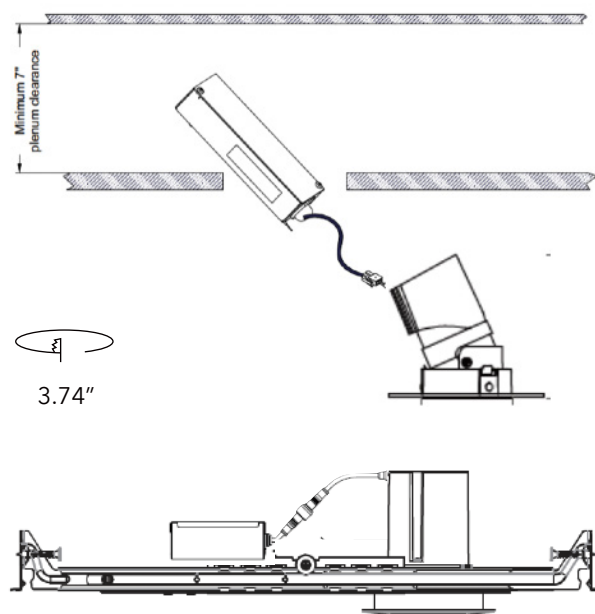
**Standard bar hanger (included)**  
 Mounting length 14 3/4" - 26".  
 Extension kit can be ordered separately.



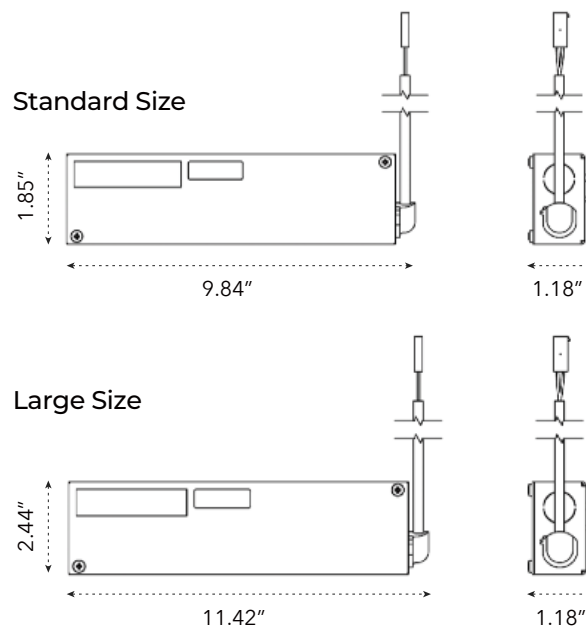
**Commercial bar hanger #1487**  
 Butterfly and caterpillar brackets available



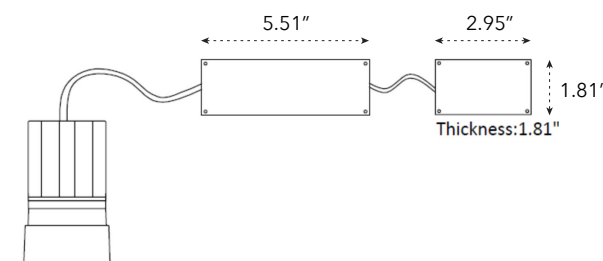
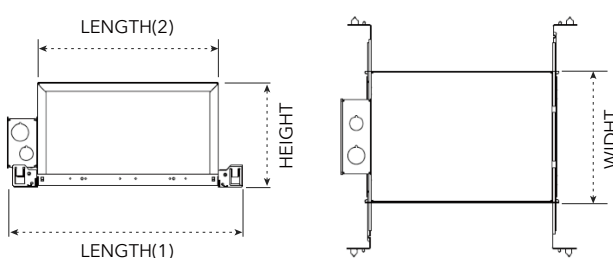
### New Construction & Remodel Mounting



### LED Driver Enclosure and Junction Box



### Chicago Plenum / Airtight



2-sectional driver and wiring box will ship when the AT/CP option is selected. Also can be used for plenum space issues.

Length	Width	Height
11 3/4"	8 1/2"	6 3/4"

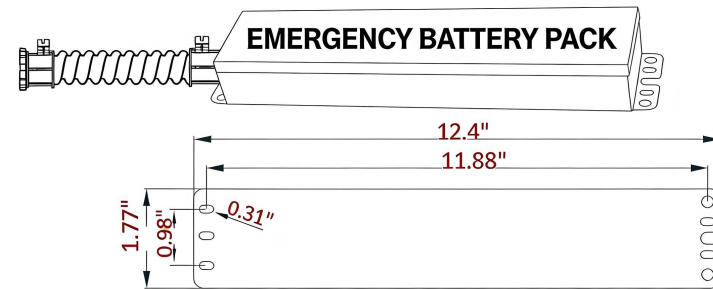
Project: \_\_\_\_\_ Type: \_\_\_\_\_ Qty: \_\_\_\_\_

## EMERGENCY

### PRIMARY SPECIFICATIONS

Output Power Max	Input Power	Input Current Max	Emergency Operating Time	Battery	Input Voltage	Output Voltage	Ambient Operating Temperature	UL Listed for Us and Canada
10W	4W	100 mA	90 min.	Li-ion 18650 7.4V 2500mAh	120-277 Vac 50/60Hz	12-55 VDC	0 °C through 55 °C	ULand cUL (UL924) Emergency LED Driver

Dimensions / Weight			
Length	12.4"	Height	1.1"
Width	1.77"	Mounting Length	11.88"
Weight	2.47 lb		



### REMOTE TEST SWITCH

The remote test switch may be mounted adjacent to the LED fixture by others.

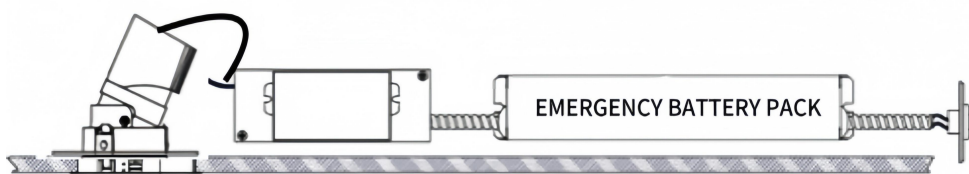
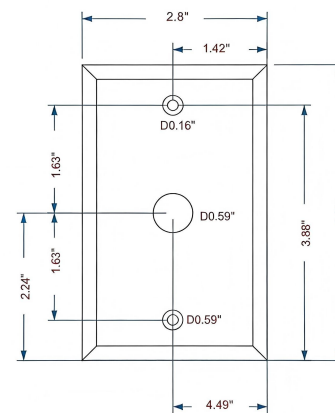
### EMERGENCY BATTERY ACCESS

Above ceiling access is recommended for ease of service, but LED fixture sizes of 4" and larger are capable of below ceiling access. IC/ICAT/CP box and ITS option require an access panel in the ceiling (or other form of access) adjacent to the installation location of the emergency battery.

### REMOTE LOCATION

Maximum remote mounting distance of the emergency driver shall be 50 feet. Remote location wiring provided by others. Follow all local and national electric/building codes.

### WALL PLATE ACCESSORIES



### TEST SWITCH

