

Project: _____ Type: _____ Qty: _____



FEATURES

- Modular design, field replaceable LED module, trim, beam lens, and accessories
- Interchangeable secondary reflector options for glare control and maximum visual comfort.
- Quiet ceiling achieved through deep regress.
- Precise light control, 10°/15°/24°/38°/55° TIR lens beam options.
- Offered standard with flicker free dimming to 1% and fade-to-off dimming (.1%), option available.

SPECIFICATIONS

Specular

White

Specular Black

Silver

Black

Gold

Golden Wheat

Input Voltage	100-277V AC
Wattage	15W
Delivered Lumens	1275Lm-1575Lm +/-5%
LED	<3-Step MacAdam Ellipse (2-Step Available)
CCT	27K, 30K, 35K, 40K, D2W, TW
CRI	>90Ra
Beam Angle	TIR Lens 10°/15°/24°/36°/55°
Adjustability	Max Tilt Angle 30° / Horizontal Rotation Angle 355°
Dimming	Trimode Dimming / Triac / 0-10V (100%-1%)
Lamp Life	50,000Hr
Environment	IP20 & IP44
Operating Temp	-4° F - 104° F

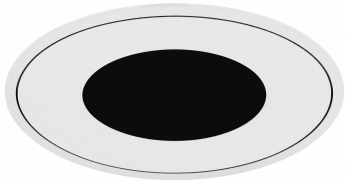
Order Code ORDER CODE EXAMPLE: GO2LX-3"-RT-W-LO-35K-15D-SL-C-SF-DAL-IC

SERIES	SIZE	TRIM	WATTAGE	CCT	BEAM ANGLE	FINISH	
Go2LX	3" Round Downlight	RT Round Trimmed RL Round Trimless	F Fixed A Adjustable W Wall Wash P Pinhole	LO Low output (15W@85LM/W) HO High output (15W@ 105LM/W)	27K 2700K 30K 3000K 35K 3500K 40K 4000K TW Tunable White 2700K-6500K WD Warm Dim 3000K-1800K	10D 10 Degree 15D 15 Degree 24D 24 Degree 38D 38 Degree 55D 55 Degree	Reflector --- Leave Blank for wall wash pinhole or sbt Trim Options SP Specular WH White SB Specular Black SL Silver BK Black GD Gold CW Gold Wheat
						Trim W White B Black C Custom	

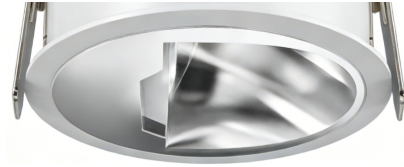
OPTICAL ACCESSORIES	ENVIRONMENT	DIMMING	INSTALLATION TYPE	ADDITIONAL OPTIONS
SF Softening Lens HL Honeycomb Louver SO Solite Lens LS Linear Spread Lens	_____ Leave blank if *dry or damp location (IP44)* IP54 Dust-protected wet locations IP65 High moisture environments	ELV ELV/TRIAC Phase Cutting 3% D10 0/1-10V(100%-1%) DAL DALI-2 Dim to off 0.1%	NC New Construction RM Remodel AT/CP Airtight WC Wood Ceiling IC Insulation Contact	EM10 10 watts / 90 mins 2SD 2-sectioned driver box LG Standard large driver box

Project:	Type:	Qty:
----------	-------	------

TRIM



Trimmed Pinhole



Polarized Wall Washer

WOOD CEILING ADAPTER



*For wood ceilings over 1" thick, specify ceiling thickness for proper spring clip selection. Ceilings over 2" require an extended collar.

PERFORMANCE

90CRI/15W	2700K	3000K	3500K	4000K
15Degree	1473	1551	1628	1710
24Degree	1498	1577	1656	1738
38Degree	1528	1609	1689	1774
55Degree	1547	1628	1709	1795

Preliminary, pre-launch test-data. Delivered lumen values +/- 5%. Optical filters will reduce delivered lumen values

OPTICAL LENS



Soft Focus



Honeycomb



Linear Spread



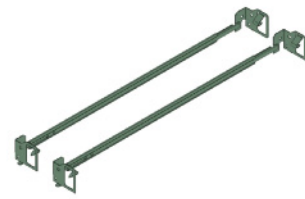
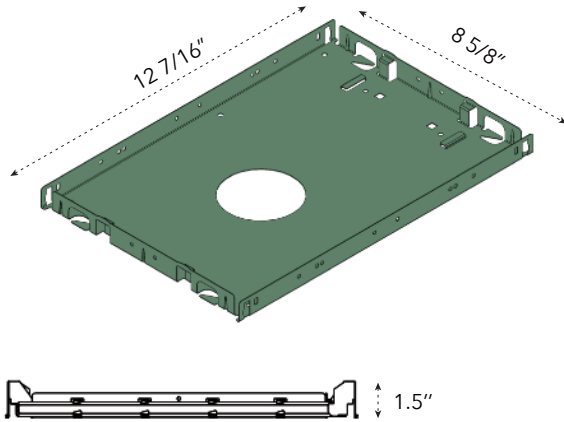
Solite

LIGHT LOSS FACTOR	
Honeycomb Louver	0.55
Solite Filter	0.70
Frosted Filter	0.70
Linear Spread Filter	0.70

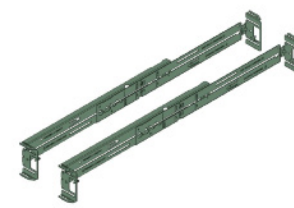
Project:	Type:	Qty:
----------	-------	------

MOUNTING OPTIONS

NC - New Construction Frame-In Tray



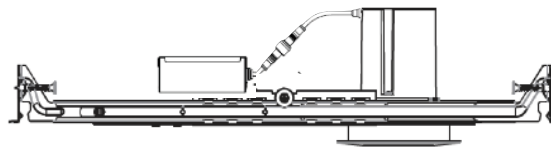
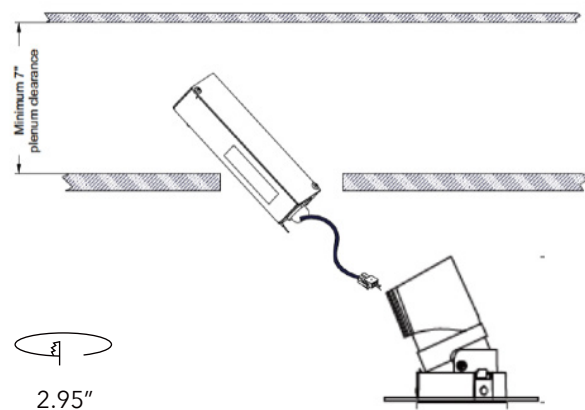
Standard bar hanger (included)
 Mounting Length 14 3/4" - 26".
 Extension kit can be ordered separately.



Commercial bar hanger #1487
 Butterfly and Caterpillar brackets available



New Construction & Remodel Mounting



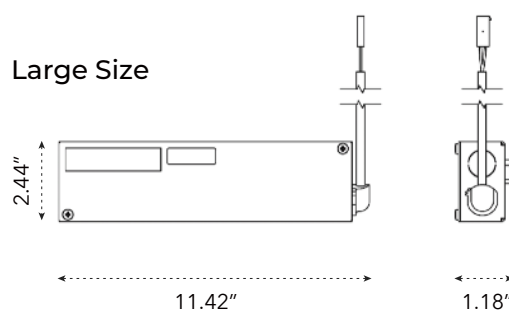
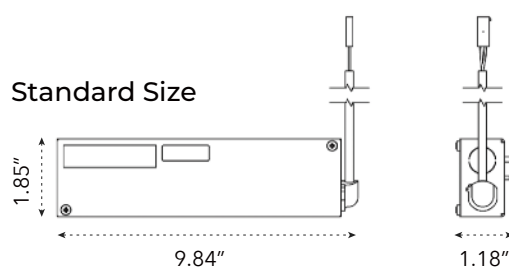
Note:

Small fixture housing and driver enclosure box assembly can be used for both new construction and remodel. For remodel application, no new construction tray is needed.

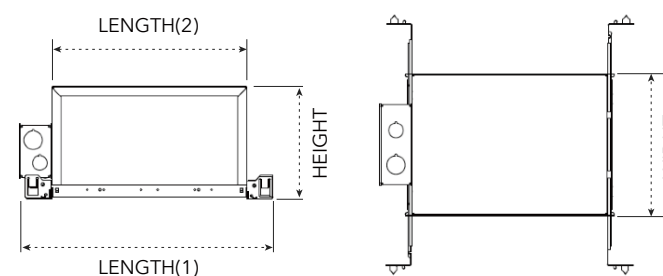
The ceiling cutout opening will be too small to fit your hand through it. So it is very important that the LED driver remains accessible by removing the lighting fixture, thus allowing you to inspect the connectors or LED driver at any time without physically damaging your ceiling or other building materials.

This mounting allows for installation from below the ceiling access and full serviceability of the LED driver and driver/junction box.

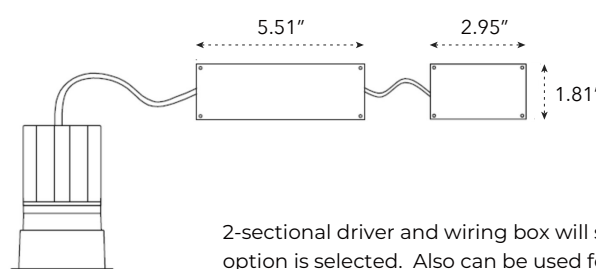
LED Driver Enclosure and Junction Box



Chicago Plenum / Airtight



Length	Width	Height
11 3/4"	8 1/2"	6 3/4"



2-sectional driver and wiring box will ship when the AT/CP option is selected. Also can be used for plenum space issues.

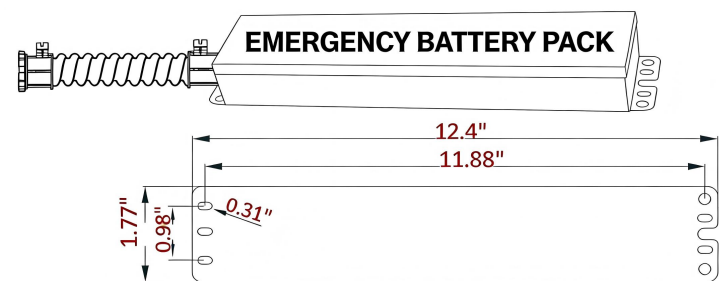
Project: _____ Type: _____ Qty: _____

EMERGENCY

PRIMARY SPECIFICATIONS

Output Power Max	Input Power	Input Current Max	Emergency Operating Time	Battery	Input Voltage	Output Voltage	Ambient Operating Temperature	UL Listed for Us and Canada
10W	4W	100 mA	90 min.	Li-ion 18650 7.4V 2500mAh	120-277 Vac 50/60Hz	12-55 VDC	0 °C through 55 °C	ULand cUL (UL924) Emergency LED Driver

Dimensions / Weight			
Length	12.4"	Height	1.1"
Width	1.77"	Mounting Length	11.88"
Weight	2.47 lb		



REMOTE TEST SWITCH

The remote test switch may be mounted adjacent to the LED fixture by others.

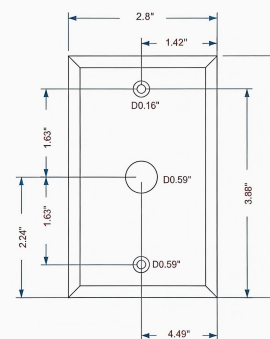
EMERGENCY BATTERY ACCESS

Above ceiling access is recommended for ease of service, but LED fixture sizes of 4" and larger are capable of below ceiling access. IC/ICAT/CP box and ITS option require an access panel in the ceiling (or other form of access) adjacent to the installation location of the emergency battery.

REMOTE LOCATION

Maximum remote mounting distance of the emergency driver shall be 50 feet. Remote location wiring provided by others. Follow all local and national electric/building codes.

WALL PLATE ACCESSORIES



TEST SWITCH

