

Project: \_\_\_\_\_ Type: \_\_\_\_\_ Qty: \_\_\_\_\_



## FEATURES

Modular design, field replaceable LED module, trim, beam lens, and accessories

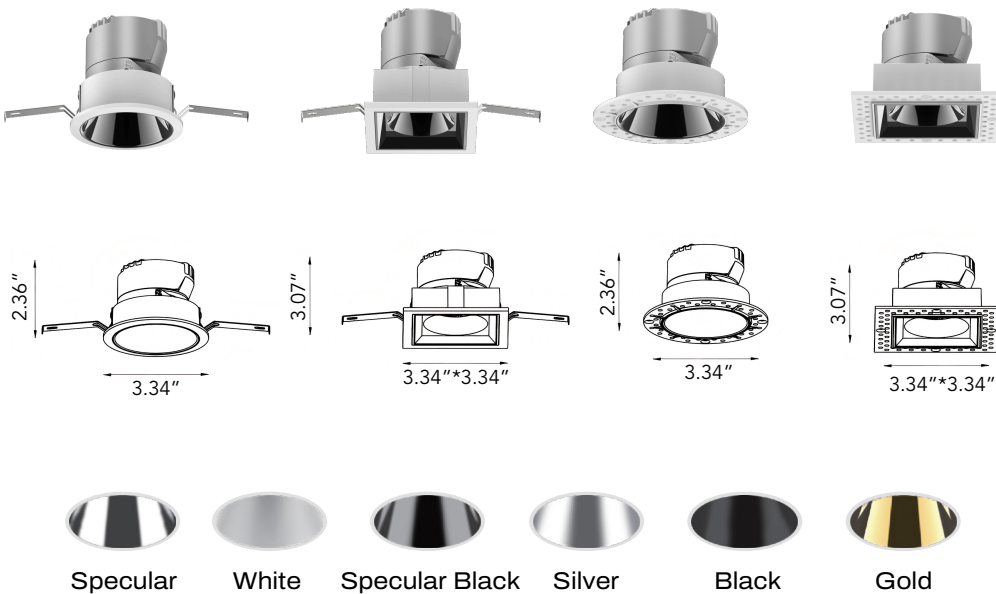
Interchangeable secondary reflector options for glare control and maximum visual comfort.

Quiet ceiling achieved through deep regress.

Precise light control, 10°/15°/24°/38°/55° TIR lens beam options.

Offered standard with flicker free dimming to 1% and fade-to-off dimming (.1%), option available.

## SPECIFICATIONS



<b>Input Voltage</b>	100-277V AC
<b>Wattage</b>	7W
<b>Delivered Lumens</b>	595Lm-665Lm +/-5%
<b>LED</b>	<3-Step MacAdam Ellipse (2-Step Available)
<b>CCT</b>	27K, 30K, 35K, 40K, D2W, TW
<b>CRI</b>	>90Ra
<b>Beam Angle</b>	TIR Lens 10°/15°/24°/36°/55°
<b>Adjustability</b>	Max Tilt Angle 30° / Horizontal Rotation Angle 355°
<b>Dimming</b>	Trimode Dimming / Triac / 0-10V (100%-1%)
<b>Lamp Life</b>	50,000Hr
<b>Environment</b>	IP20 & IP44
<b>Operating Temp</b>	-4° F - 104° F

## Order Code

ORDER CODE EXAMPLE: GO2LX-3"S-RT-F-LO-30K-24D-SB-W-SO-D10-NC

SERIES	SIZE	TRIM	WATTAGE	CCT	BEAM ANGLE	FINISH	
Go2LX	3" S shallow	<b>RT</b> Round Trimmed <b>RL</b> Round Trimless <b>ST</b> Square Trimmed <b>SL</b> Square Trimless	<b>F</b> Fixed <b>A</b> Adjustable	<b>LO</b> Low output (7W*85LM/W) <b>HO</b> High output (7W* 95LM/W)	<b>27K</b> 2700K <b>30K</b> 3000K <b>35K</b> 3500K <b>40K</b> 4000K <b>TW</b> Tunable White 2700K-6500K <b>WD</b> Warm Dim 3000K-1800K	<b>10D</b> 10 Degree <b>15D</b> 15 Degree <b>24D</b> 24 Degree <b>38D</b> 38 Degree <b>55D</b> 55 Degree	Reflector --- Leave Blank for wall wash pinhole or sbt Trim Options <b>SP</b> Specular <b>WH</b> White <b>SB</b> Specular Black <b>SL</b> Silver <b>BK</b> Black <b>GD</b> Gold <b>CS</b> Custom
						Trim <b>W</b> White <b>B</b> Black <b>C</b> Custom	

OPTICAL ACCESSORIES	ENVIRONMENT	DIMMING	INSTALLATION TYPE	EMERGENCY BACKUP
<b>SF</b> Softening Lens <b>HL</b> Honeycomb Louver <b>SO</b> Solite Lens <b>LS</b> Linear Spread Lens	_____ Leave blank if "dry or damp location (IP44)" <b>WET</b> for exterior wet locations (under covered ceiling only)	<b>ELV</b> ELV/TRIAC Phase Cutting 3% <b>D10</b> 0/1-10V(100%-1%) <b>FO1</b> 0/1-10V(100%-1%) <b>DAL</b> DALI-2 Dim to off 0.1%  <b>DAL</b> Larger size driver enclosure box Specify after dimming protocol. Example (ELV-LG)	<b>NC</b> New Construction <b>IC</b> Insulation Contact <b>AT/CP</b> Airtight <b>RM</b> Remodel	<b>EM10</b> 10 watts / 90 mins

Project:	Type:	Qty:
----------	-------	------

**PERFORMANCE**

90CRI/7W	2700K	3000K	3500K	4000K
15Degree	447	471	494	519
24Degree	519	546	573	602
38Degree	519	546	573	602
55Degree	611	643	676	709

Preliminary, pre-launch test-data. Delivered lumen values +/- 5%. Optical filters will reduce delivered lumen values

**OPTICAL LENS**



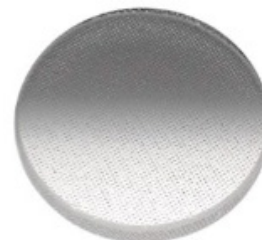
Soft Focus



Honeycomb



Linear Spread



Solite

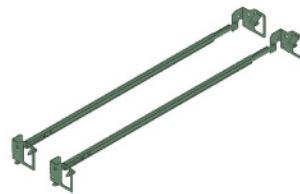
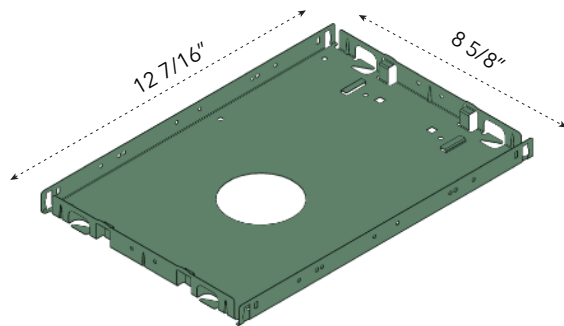
LIGHT LOSS FACTOR	
Honeycomb Louver	0.55
Solite Filter	0.70
Frosted Filter	0.70
Linear Spread Filter	0.70



Project:	Type:	Qty:
----------	-------	------

**MOUNTING OPTIONS**

**NC - New Construction Frame-In Tray**



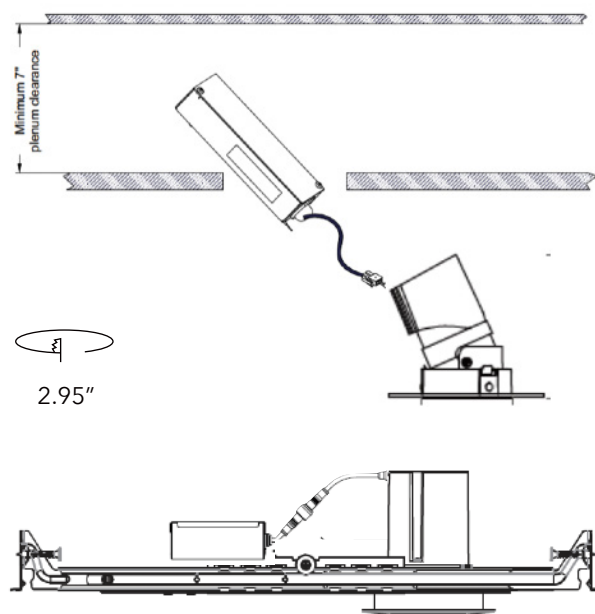
**Standard bar hanger (included)**  
 Mounting Length 14 3/4" - 26".  
 Extension kit can be ordered separately.



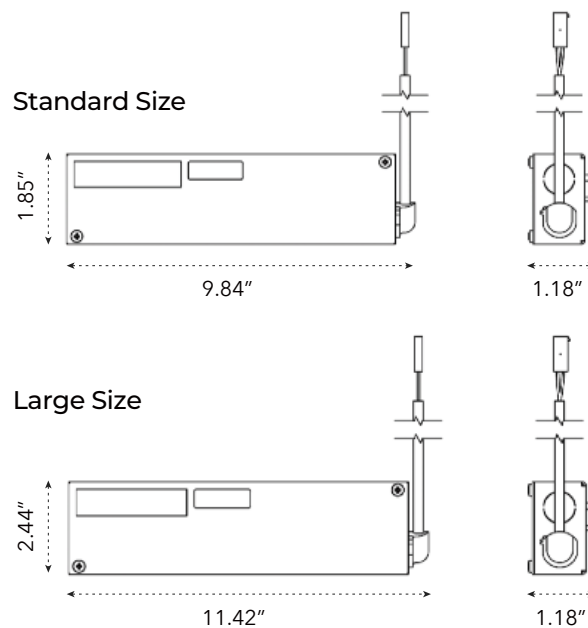
**Commercial bar hanger #1487**  
 Butterfly and Caterpillar brackets available



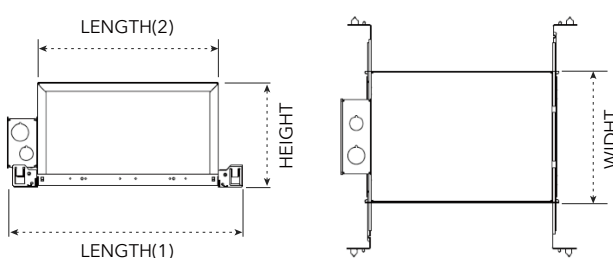
**New Construction & Remodel Mounting**



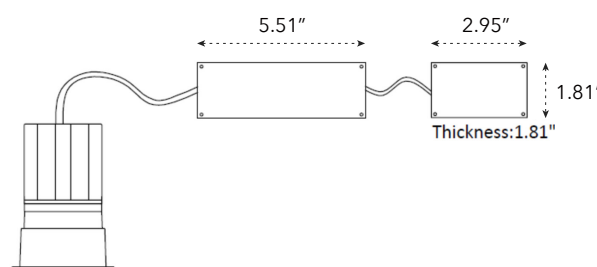
**LED Driver Enclosure and Junction Box**



**Chicago Plenum / Airtight**



Length	Width	Height
11 3/4"	8 1/2"	6 3/4"



2-sectional driver and wiring box will ship when the AT/CP option is selected. Also can be used for plenum space issues.

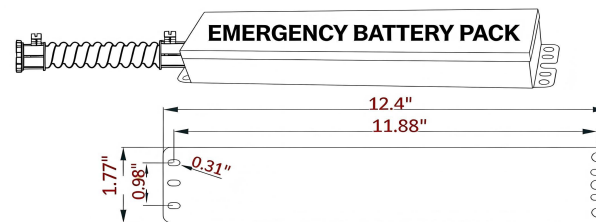
Project: \_\_\_\_\_ Type: \_\_\_\_\_ Qty: \_\_\_\_\_

## EMERGENCY

### PRIMARY SPECIFICATIONS

Output Power Max	Input Power	Input Current Max	Emergency Operating Time	Battery	Input Voltage	Output Voltage	Ambient Operating Temperature	UL Listed for Us and Canada
10W	4W	100 mA	90 min.	Li-ion 18650 7.4V 2500mAh	120-277 Vac 50/60Hz	12-55 VDC	0 °C through 55 °C	ULand cUL (UL924) Emergency LED Driver

Dimensions / Weight			
Length	12.4"	Height	1.21"
Width	1.77"	Mounting Length	11.8"
Weight	2.47 lb		



### REMOTE TEST SWITCH

The remote test switch may be mounted adjacent to the LED fixture by others.

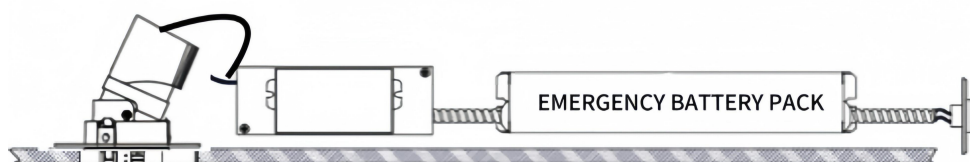
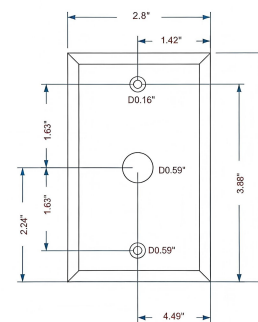
### EMERGENCY BATTERY ACCESS

Above ceiling access is recommended for ease of service, but LED fixture sizes of 4" and larger are capable of below ceiling access. IC/ICAT/CP box and ITS option require an access panel in the ceiling (or other form of access) adjacent to the installation location of the emergency battery.

### REMOTE LOCATION

Maximum remote mounting distance of the emergency driver shall be 50 feet. Remote location wiring provided by others. Follow all local and national electric/building codes.

### WALL PLATE ACCESSORIES



### TEST SWITCH

