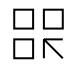






Project: \_\_\_\_\_ Type: \_\_\_\_\_ Qty: \_\_\_\_\_

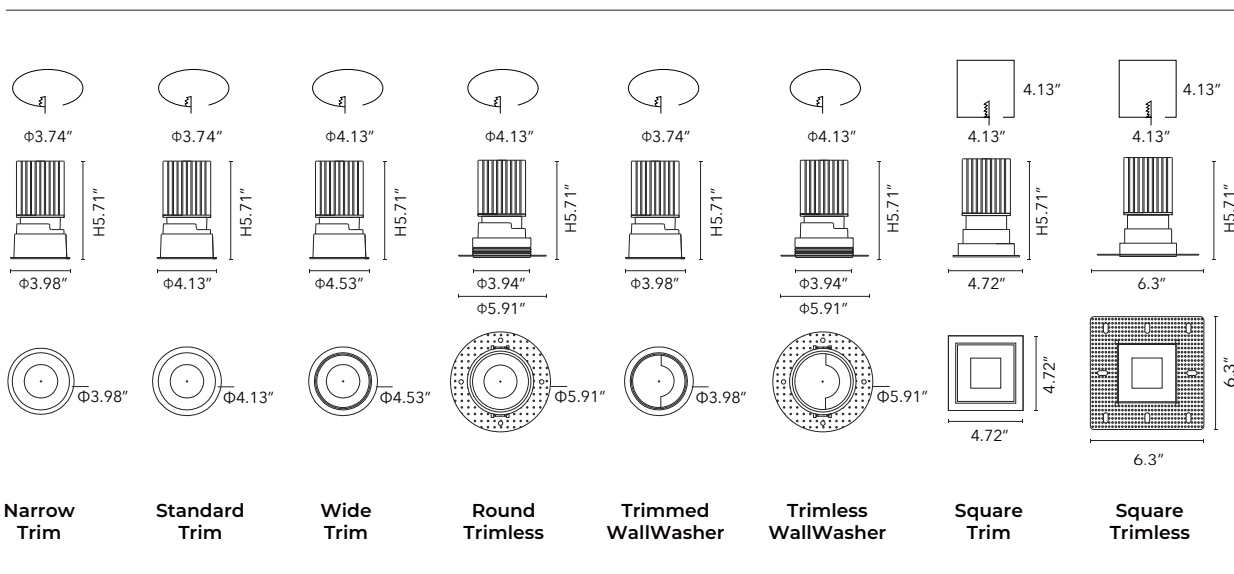


## FEATURES

-  Modular design, field replaceable LED module, trim, beam lens, and accessories.
-  Interchangeable secondary reflector options for glare control and maximum visual comfort.
-  Quiet ceiling achieved through deep regress.
-  Precise light control, 15°/24°/36°/50° TIR lens and Reflector options in 20°/30°/40°/60°
-  Offered standard with flicker free dimming to .1%.

**Type IC rated - approved for direct contact with insulation.**  
**No IC housing needed.**

## SPECIFICATIONS



<b>Input Voltage</b>	100-277V AC
<b>Wattage</b>	25W / 35W
<b>Delivered Lumens</b>	2120Lm - 2840Lm
<b>LED</b>	<3-Step MacAdam Ellipse (2-Step Available)
<b>CCT</b>	27K, 30K, 35K, 40K (other CCTs available)
<b>CRI</b>	>90Ra
<b>Adjustability</b>	Max Tilt Angle 30° / Horizontal Rotation Angle 355°<19
<b>Lamp Life</b>	50,000Hr
<b>Environment</b>	IP44 / IP54 upon request
<b>Heat Sink</b>	Aluminum body with oxidized powder coating
<b>Trim</b>	Die-cast Aluminum
<b>Operating Temp</b>	-4°F-104°F

## Order Code

**ORDER CODE EXAMPLE: GO2-4-RT-F-WD-LO-27K-R40-BK-B-SF-ELV-NC**

SERIES	SIZE	TRIM	WATTAGE	CCT	BEAM ANGLE	
Go2	4 4.0"	<b>RT</b> Round Trimmed <b>RL</b> Round Trimless <b>ST</b> Square Trimmed <b>SL</b> Square Trimless	<b>F</b> Fixed <b>A</b> Adjustable <b>W</b> Wall Wash <b>S*</b> Shower Trim <small>*Non-conductive trim for shower</small>	<b>Standard Trim</b> <b>NR</b> Narrow Trim <b>WD</b> Wide Trim <small>Leave blank for standard, trimless or square trim options</small>	<b>LO</b> 25W / 2200lm <b>HO</b> 35W / 2800lm <b>27K</b> 2700K <b>30K</b> 3000K <b>35K</b> 3500K <b>40K</b> 4000K <b>TW</b> Tunable White 2700K-6500K <b>WD</b> Warm Dim 3000K-1800K	Reflector Lens OR TIR Lens <b>R20</b> 20 Degree <b>R30</b> 30 Degree <b>R40</b> 40 Degree <b>R60</b> 60 Degree <b>R90</b> 90 Degree <small>*Choose between reflector lens or TIR lens. For 10 Degree Optic, inquire with factory.</small>
						<b>15D</b> 15 Degree <b>24D</b> 24 Degree <b>36D</b> 36 Degree <b>50D</b> 50 Degree

FINISH	OPTICAL ACCESSORIES	ENVIRONMENT	DIMMING	INSTALLATION TYPE	EMERGENCY BACKUP
Reflector <b>WH</b> White <b>BK</b> Black <b>SV</b> Silver <b>SG</b> Specular Gold <b>SB</b> Specular Black <b>SP</b> Specular <b>CW</b> Golden Wheat Trim <b>W</b> White <b>B</b> Black <b>G</b> Golden Wheat <b>S</b> Silver <b>RAL#</b> Custom #Specify color	<b>SF</b> Soft Focus <b>SL</b> Solite Lens <b>HL</b> Hexcell Louver <b>LS</b> Linear Spread	Leave blank if *dry or damp location (IP44)* <b>WET</b> for exterior wet locations (under covered ceiling only)	<b>ELV</b> Phase/Triac (3%) <b>D10</b> 0-10V (.1%) <b>DAL</b> DALI	<b>NC</b> New Construction Tray <b>RM</b> Remodel (no NC Tray) <b>AT/CP</b> Airtight/Chicago Plenum <b>WC</b> Wood Ceiling	<b>EM10</b> 10W/90 Min

Project: \_\_\_\_\_ Type: \_\_\_\_\_ Qty: \_\_\_\_\_

## TRIM OPTIONS



## REFLECTOR OPTIONS



## OPTICAL LENS



## PERFORMANCE

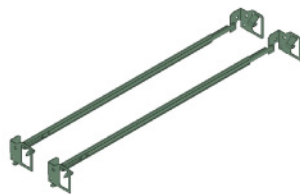
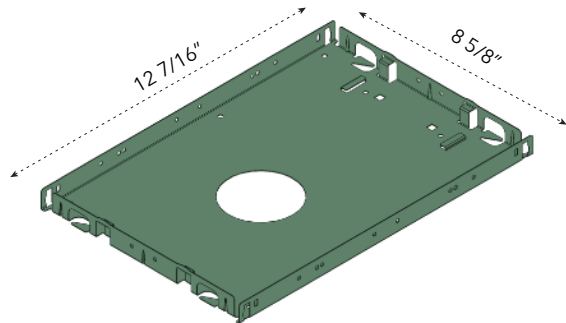
90 CRI / 2700K	15 Degree	24 Degree	36 Degree	50 Degree
25W	2120Lm	2140Lm	2160Lm	2160Lm
35W	2760Lm	2780Lm	2800Lm	2820Lm

90 CRI / 3000K	15 Degree	24 Degree	36 Degree	50 Degree
25W	2140Lm	2160Lm	2180Lm	2200Lm
35W	2780Lm	2800Lm	2820Lm	2840Lm

Preliminary, pre-launch test-data. Delivered lumen values +/- 5%. Optical filters will reduce delivered lumen values

## MOUNTING OPTIONS

### NC - New Construction Frame-In Tray



**Standard bar hanger (included)**

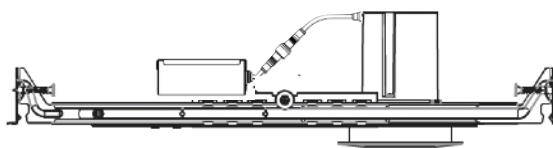
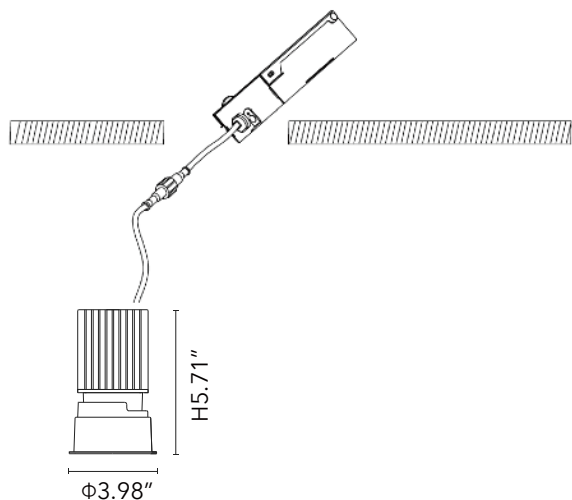
Mounting length 14 3/4" - 26".  
Extension kit can be ordered separately.

**Commercial bar hanger #1487**

Butterfly and caterpillar brackets available



### New Construction & Remodel Mounting



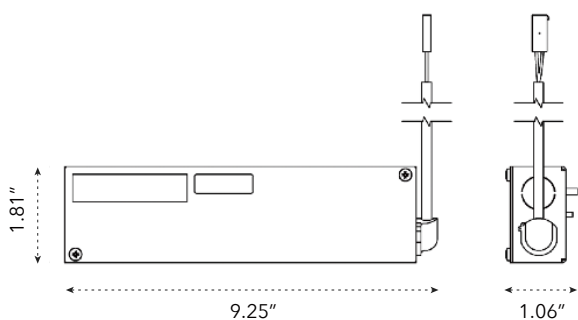
**Note:**

Small fixture housing and driver enclosure box assembly can be used for both new construction and remodel. For remodel application, no new construction tray is needed.

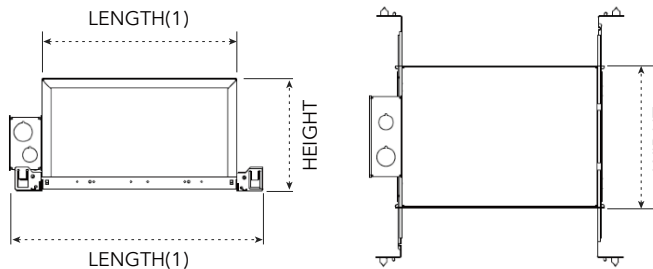
The ceiling cutout opening will be too small to fit your hand through it. So it is very important that the LED driver remains accessible by removing the lighting fixture, thus allowing you to inspect the connectors or LED driver at any time without physically damaging your ceiling or other building materials.

This mounting allows for installation from below the ceiling access and full serviceability of the LED driver and driver/junction box.

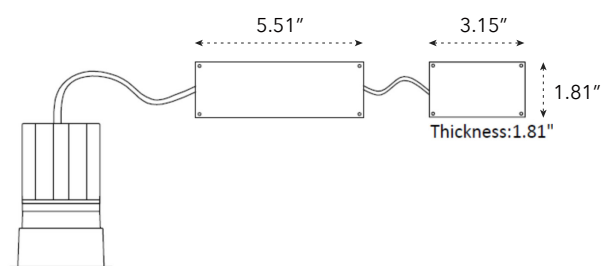
### LED Driver Enclosure and Junction Box



### Chicago Plenum / Airtight



Length	Width	Height
11 3/4"	8 1/2"	6 3/4"



2-sectional driver and wiring box will ship when the AT/CP option is selected. Also can be used for plenum space issues.

Project:

Type:

Qty:

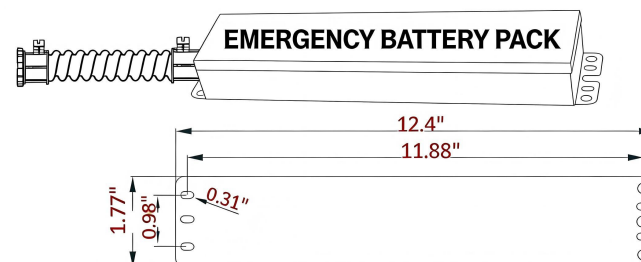
## EMERGENCY

### PRIMARY SPECIFICATIONS

Output Power Max	Input Power	Input Current Max	Emergency Operating Time	Battery	Input Voltage	Output Voltage	Ambient Operating Temperature	UL Listed for Us and Canada
10W	4W	100 mA	90 min.	Li-ion 18650 7.4V 2500mAh	120-277 Vac 50/60Hz	12-55 VDC	0 °C through 55 °C	ULand cUL (UL924) Emergency LED Driver

### Dimensions / Weight

Length	12.4"	Height	1.1"
Width	1.77"	Mounting Length	11.8"
Weight	2.47 lb		



### REMOTE TEST SWITCH

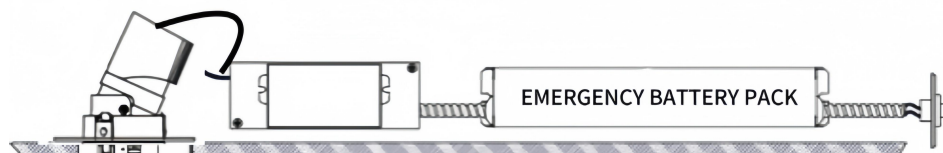
The remote test switch may be mounted adjacent to the LED fixture by others.

### EMERGENCY BATTERY ACCESS

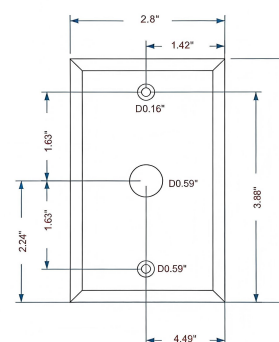
Above ceiling access is recommended for ease of service, but LED fixture sizes of 4" and larger are capable of below ceiling access. IC/ICAT/CP box and ITS option require an access panel in the ceiling (or other form of access) adjacent to the installation location of the emergency battery.

### REMOTE LOCATION

Maximum remote mounting distance of the emergency driver shall be 50 feet. Remote location wiring provided by others. Follow all local and national electric/building codes.



### WALL PLATE ACCESSORIES



### TEST SWITCH

