

Project: _____ Type: _____ Qty: _____

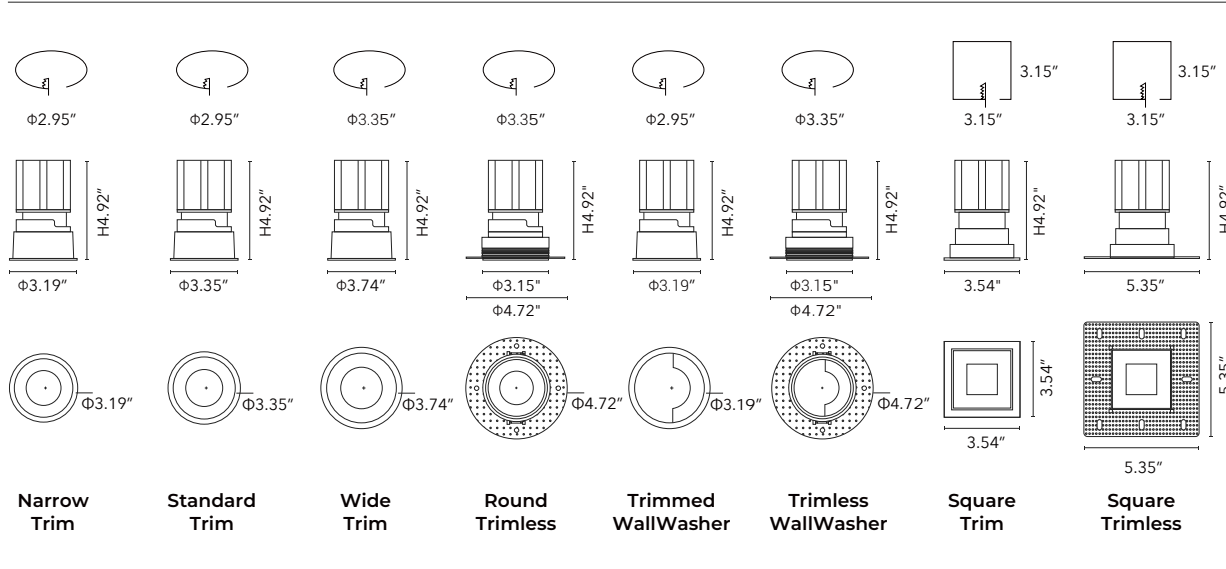


FEATURES

- Modular design, field replaceable LED module, trim, beam lens, and accessories.
- Interchangeable secondary reflector options for glare control and maximum visual comfort.
- Quiet ceiling achieved through deep regress.
- Precise light control, 20°/30°/40°/60° Reflector and TIR lens options in 15°/24°/36°/50°
- Offered standard with flicker free dimming to .1%.

Type IC rated - approved for direct contact with insulation.
No IC housing needed.

SPECIFICATIONS



Input Voltage	100-277V AC
Wattage	15W / 20W
Delivered Lumens	1160Lm - 1600Lm
LED	<3-Step MacAdam Ellipse (2-Step Available)
CCT	27K, 30K, 35K, 40K (other CCTs available)
CRI	>90Ra
Adjustability	Max Tilt Angle 30° / Horizontal Rotation Angle 355° < 19°
Lamp Life	50,000Hr
Environment	IP44 / IP54 upon request
Heat Sink	Aluminum body with oxidized powder coating
Trim	Die-cast Aluminum
Operating Temp	-4°F - 104°F

Order Code

ORDER CODE EXAMPLE: GO2-3-RT-F-WD-LO-27K-R40-BK-B-SF-ELV-NC

SERIES	SIZE	TRIM	WATTAGE	CCT	BEAM ANGLE	
Go2	3 3.0"	RT Round Trimmed RL Round Trimless ST Square Trimmed SL Square Trimless	F Fixed A Adjustable W Wall wash S* Shower Trim <small>*Non-conductive trim for shower</small>	Standard Trim NR Narrow Trim WD Wide Trim <small>Leave blank for standard, trimless or square trim options</small>	LO 15W / 1200lm HO 20W / 1600lm 27K 2700K 30K 3000K 35K 3500K 40K 4000K TW Tunable White 2700K-6500K WD Warm Dim 3000K-1800K	Reflector Lens OR TIR Lens R20 20 Degree R30 30 Degree R40 40 Degree R60 60 Degree R90 90 Degree <small>*Choose between reflector lens or TIR lens. For 10 Degree Optic, inquire with factory.</small>
						15D 15 Degree 24D 24 Degree 36D 36 Degree 50D 50 Degree

FINISH	OPTICAL ACCESSORIES	ENVIRONMENT	DIMMING	INSTALLATION TYPE	EMERGENCY BACKUP
Reflector WH White BK Black SV Silver SG Specular Gold SB Specular Black SP Specular CW Golden Wheat Trim W White B Black G Golden Wheat S Silver RAL# Custom #Specify color	SF Soft Focus SL Solite Lens HL Hexcell Louver LS Linear Spread	Leave blank if *dry or damp location (IP44) WET for exterior wet locations (under covered ceiling only)	ELV Phase/Triac (3%) D10 0-10V (.1%) DAL DALI	NC New Construction Tray RM Remodel (no NC Tray) AT/CP Airtight/Chicago Plenum WC Wood Ceiling	EM10 10W/90 Min

Project: _____ Type: _____ Qty: _____

TRIM OPTIONS



REFLECTOR OPTIONS



OPTICAL LENS



PERFORMANCE

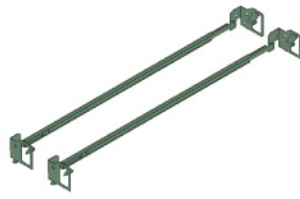
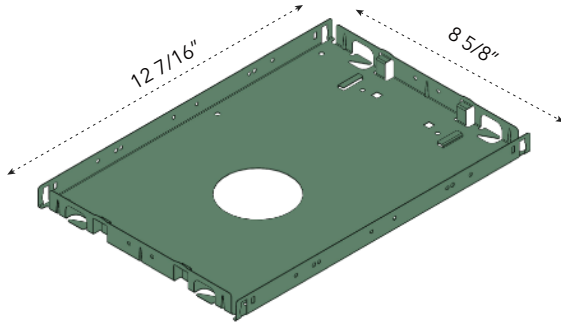
90 CRI / 2700K	15 Degree	24 Degree	36 Degree	50 Degree
15W	1160Lm	1180Lm	1200Lm	1220Lm
20W	1520Lm	1540Lm	1560Lm	1580Lm
90 CRI / 3000K	15 Degree	24 Degree	36 Degree	50 Degree
15W	1180Lm	1200Lm	1220Lm	1240Lm
20W	1540Lm	1560Lm	1580Lm	1600Lm

Preliminary, pre-launch test-data. Delivered lumen values +/- 5%. Optical filters will reduce delivered lumen values

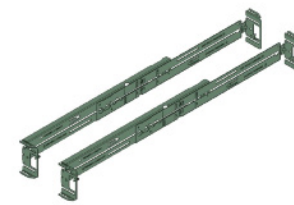
Project:	Type:	Qty:
----------	-------	------

MOUNTING OPTIONS

NC - New Construction Frame-In Tray



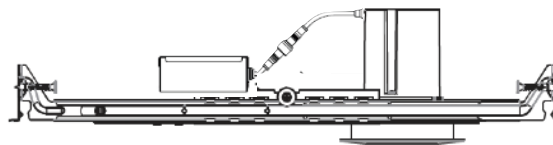
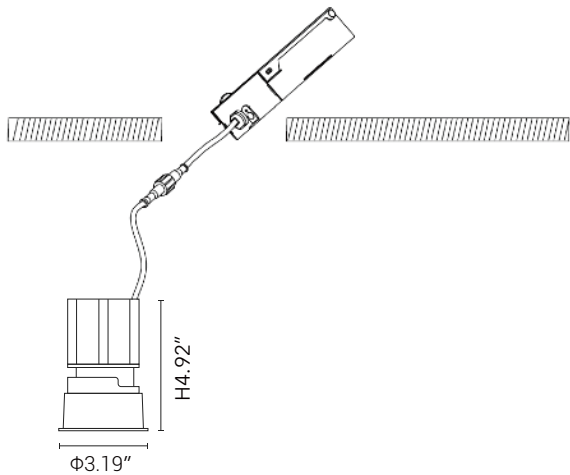
Standard bar hanger (included)
 Mounting Length 14 3/4" - 26".
 Extension kit can be ordered separately.



Commercial bar hanger #1487
 Butterfly and Caterpillar brackets available



New Construction & Remodel Mounting



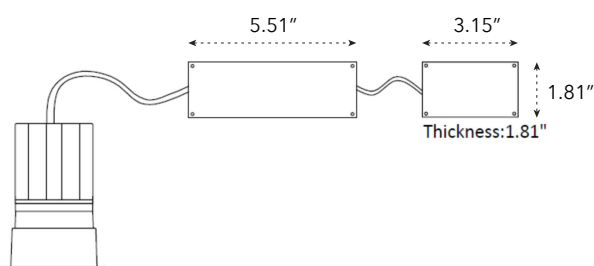
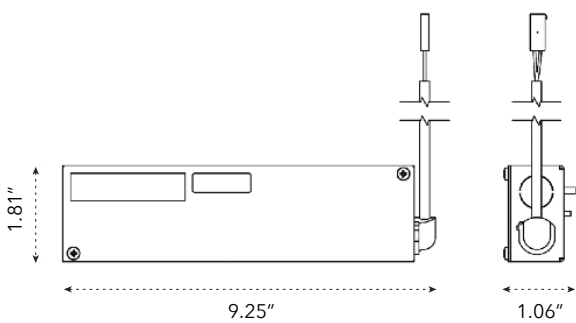
Note:

Small fixture housing and driver enclosure box assembly can be used for both new construction and remodel. For remodel application, no new construction tray is needed.

The ceiling cutout opening will be too small to fit your hand through it. So it is very important that the LED driver remains accessible by removing the lighting fixture, thus allowing you to inspect the connectors or LED driver at any time without physically damaging your ceiling or other building materials.

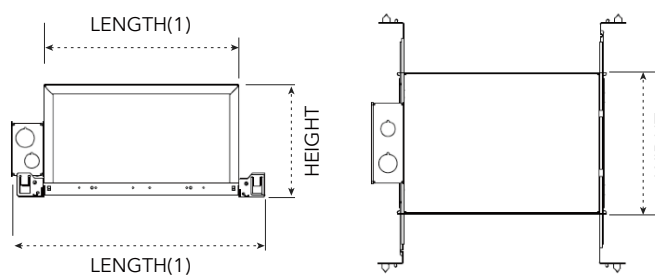
This mounting allows for installation from below the ceiling access and full serviceability of the LED driver and driver/junction box.

LED Driver Enclosure and Junction Box



2-sectional driver and wiring box will ship when the AT/CP option is selected. Also can be used for plenum space issues.

Chicago Plenum / Airtight



Length	Width	Height
11 3/4"	8 1/2"	4 3/4"
		6 3/4"

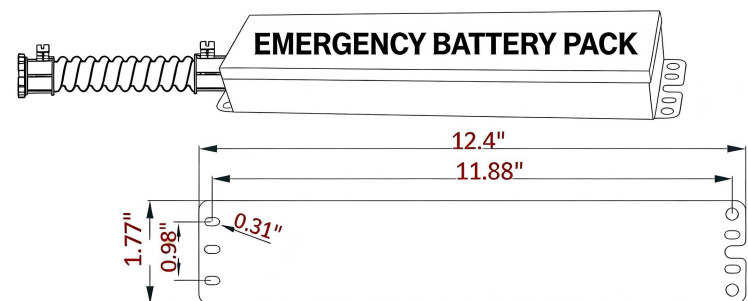
Project:	Type:	Qty:
----------	-------	------

EMERGENCY

PRIMARY SPECIFICATIONS

Output Power Max	Input Power	Input Current Max	Emergency Operating Time	Battery	Input Voltage	Output Voltage	Ambient Operating Temperature	UL Listed for Us and Canada
10W	4W	100 mA	90 min.	Li-ion 18650 7.4V 2500mAh	120-277 Vac 50/60Hz	12-55 VDC	0 °C through 55 °C	ULand cUL (UL924) Emergency LED Driver

Dimensions / Weight			
Length	12.4"	Height	1.1"
Width	1.77"	Mounting Length	11.88"
Weight	2.47 lb		



REMOTE TEST SWITCH

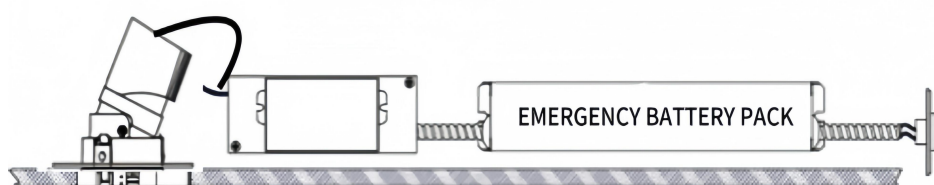
The remote test switch may be mounted adjacent to the LED fixture by others.

EMERGENCY BATTERY ACCESS

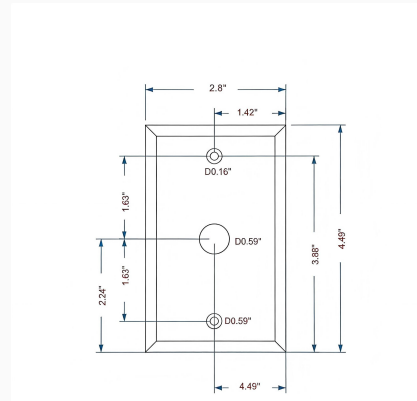
Above ceiling access is recommended for ease of service, but LED fixture sizes of 4" and larger are capable of below ceiling access. IC/ICAT/CP box and ITS option require an access panel in the ceiling (or other form of access) adjacent to the installation location of the emergency battery.

REMOTE LOCATION

Maximum remote mounting distance of the emergency driver shall be 50 feet. Remote location wiring provided by others. Follow all local and national electric/building codes.



WALL PLATE ACCESSORIES



TEST SWITCH

