

Project: _____ Type: _____ Qty: _____

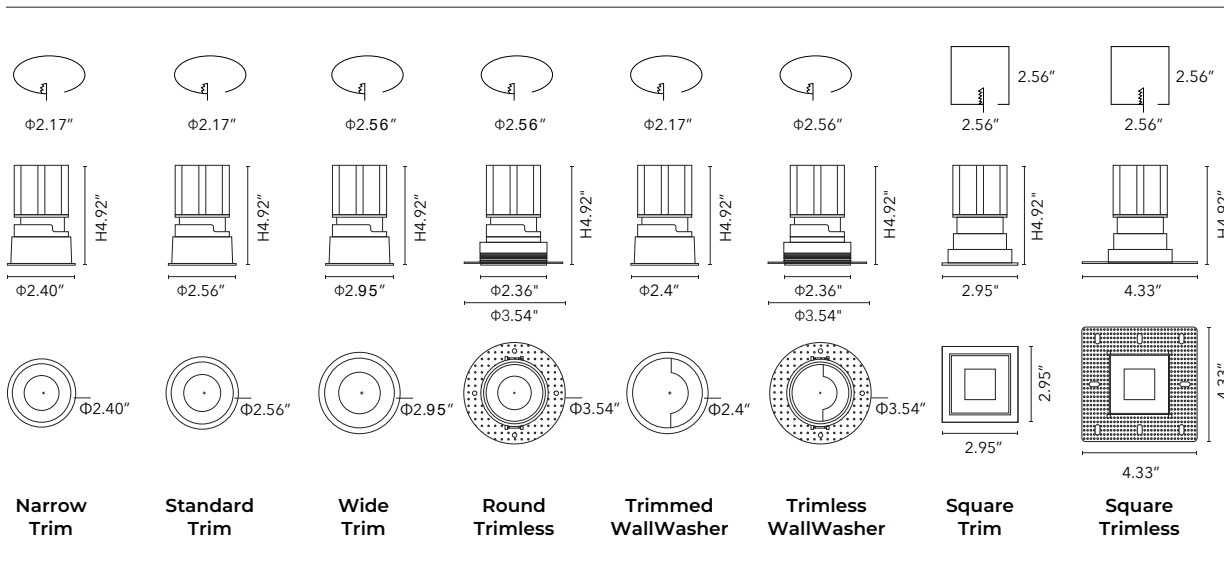


FEATURES

- Modular design, field replaceable LED module, trim, beam lens, and accessories
- ∞
 Interchangeable secondary reflector options for glare control and maximum visual comfort.
- Quiet ceiling achieved through deep regress.
- ⊙
 Precise light control, 15°/24°/36°/50° TIR lens and Reflector lens options in 20°/30°/40°/60°
- ☾
 Offered standard with flicker free dimming to .1%.

Type IC rated - approved for direct contact with insulation.
No IC housing needed.

SPECIFICATIONS



| | |
|-------------------------|--|
| Input Voltage | 100-277V AC |
| Wattage | 10W / 15W |
| Delivered Lumens | 730Lm - 1110Lm |
| LED | <3-Step MacAdam Ellipse (2-Step Available) |
| CCT | 27K, 30K, 35K, 40K (other CCTs available) |
| CRI | >90Ra |
| Adjustability | Max Tilt Angle 30° / Horizontal Rotation Angle 355° < 19 |
| Lamp Life | 50,000Hr |
| Environment | IP20 & IP44 |
| Heat Sink | Aluminum body with oxidized powder coating |
| Trim | Die-cast Aluminum |
| Operating Temp | -4°F - 104°F |

Order Code

ORDER CODE EXAMPLE: GO2-2-RT-F-WD-LO-27K-R30-BK-B-SF-D10-NC-EM10

| SERIES | SIZE | TRIM | WATTAGE | CCT | BEAM ANGLE | | | |
|--------|--------|--------------------|-----------------------------------|---|--|-----------|----------|-----------|
| | | | | | Reflector Lens | OR | TIR Lens | |
| Go2 | 2 2.0" | RT Round Trimmed | LO 10W / 800lm HO 15W / 1200lm | 27K 2700K 30K 3000K 35K 3500K 40K 4000K TW Tunable White 2700K-6500K WD Warm Dim 3000K-1800K | R20 | 20 Degree | 15D | 15 Degree |
| | | RL Round Trimless | | | R30 | 30 Degree | 24D | 24 Degree |
| | | ST Square Trimmed | | | R40 | 40 Degree | 36D | 36 Degree |
| | | SL Square Trimless | | | R60 | 60 Degree | 50D | 50 Degree |
| | | | | | R90 | 90 Degree | | |
| | | | | | *Choose between reflector lens or TIR lens. For 10 degree optic, inquire with factory. | | | |

| FINISH | OPTICAL ACCESSORIES | ENVIRONMENT | DIMMING | INSTALLATION TYPE | EMERGENCY BACKUP | |
|--|--|--|--|--|--|------------------------|
| Reflector WH White BK Black SV Silver SG Specular Gold SB Specular Black SP Specular GW Golden Wheat | Trim W White B Black G Golden Wheat S Silver RAL# Custom #Specify color | SF Soft Focus SL Solite Lens HL Hexcell Louver LS Linear Spread | Leave blank if *dry or damp location (IP44)* WET for exterior wet locations (under covered ceiling only) | ELV Phase/Triac (3%) D10 0-10V (.1%) DAL DALI | NC New Construction Tray RM Remodel AT/CP Airtight/Chicago Plenum WC Wood Ceiling | EM10 10W/90 Min |

| | | |
|----------|-------|------|
| Project: | Type: | Qty: |
|----------|-------|------|

TRIM OPTIONS



REFLECTOR OPTIONS



OPTICAL LENS



PERFORMANCE

| 90 CRI / 2700K | 15 Degree | 24 Degree | 36 Degree | 50 Degree |
|----------------|-----------|-----------|-----------|-----------|
| 10W | 730Lm | 750Lm | 770Lm | 790Lm |
| 15W | 1030Lm | 1050Lm | 1070Lm | 1090Lm |

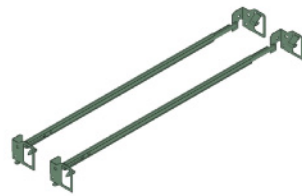
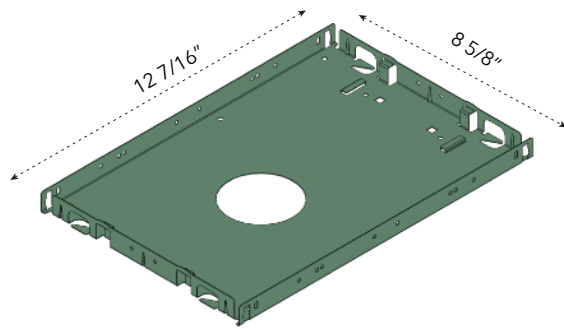
| 90 CRI / 3000K | 15 Degree | 24 Degree | 36 Degree | 50 Degree |
|----------------|-----------|-----------|-----------|-----------|
| 10W | 750Lm | 770Lm | 790Lm | 810Lm |
| 15W | 1050Lm | 1070Lm | 1090Lm | 1110Lm |

Preliminary, pre-launch test-data. Delivered lumen values +/- 5%. Optical filters will reduce delivered lumen values

| | | |
|----------|-------|------|
| Project: | Type: | Qty: |
|----------|-------|------|

MOUNTING OPTIONS

NC - New Construction Frame-In Tray



Standard bar hanger (included)

Mounting length 14 3/4" - 26".
Extension kit can be ordered separately.

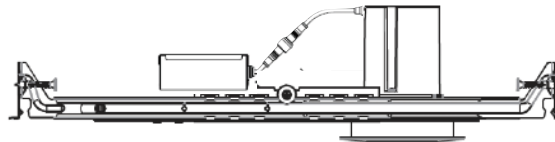
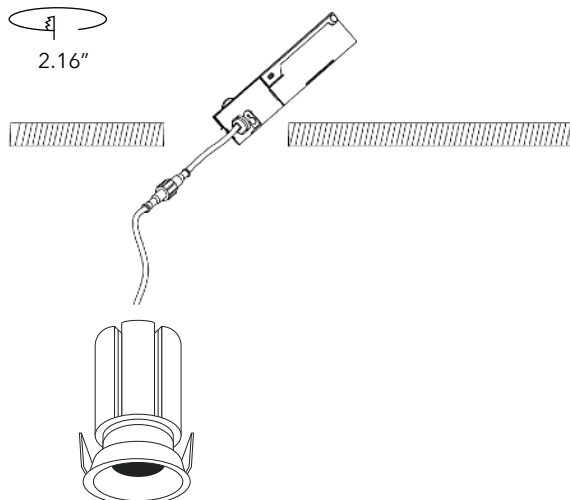


Commercial bar hanger #1487

Butterfly and caterpillar brackets available



New Construction & Remodel Mounting



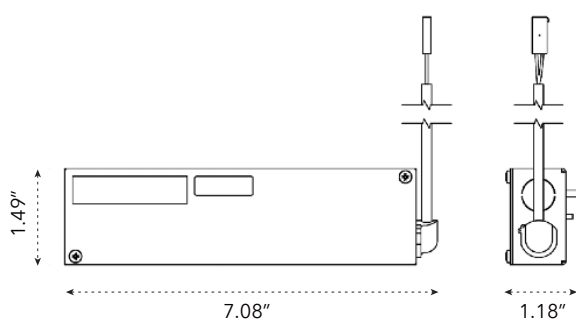
Note:

Small fixture housing and driver enclosure box assembly can be used for both new construction and remodel. For remodel application, no new construction tray is needed.

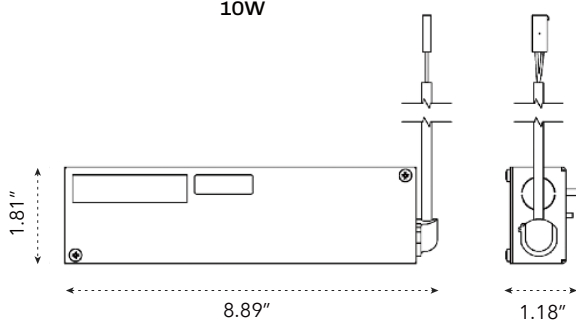
The ceiling cutout opening will be too small to fit your hand through it. So it is very important that the LED driver remains accessible by removing the lighting fixture, thus allowing you to inspect the connectors or LED driver at any time without physically damaging your ceiling or other building materials.

This mounting allows for installation from below the ceiling access and full serviceability of the LED driver and driver/junction box.

LED Driver Enclosure and Junction Box

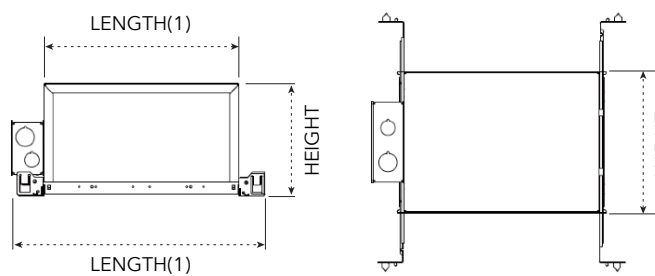


10W

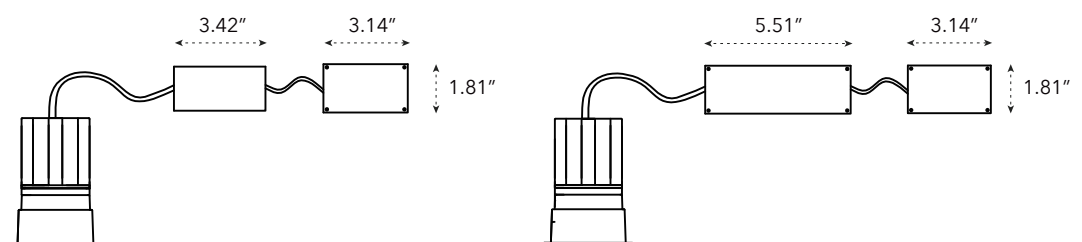


15W

Chicago Plenum / Airtight



| Length | Width | Height |
|---------|--------|--------|
| 11 3/4" | 8 1/2" | 4 3/4" |
| | | 6 3/4" |



2-sectional driver and wiring box will ship when the AT/CP option is selected. Also can be used for plenum space issues.

Project:

Type:

Qty:

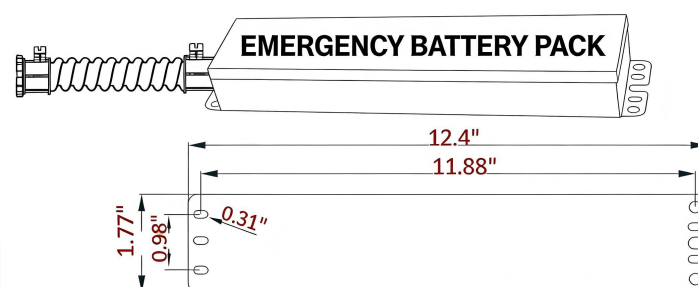
EMERGENCY

PRIMARY SPECIFICATIONS

| Output Power Max | Input Power | Input Current Max | Emergency Operating Time | Battery | Input Voltage | Output Voltage | Ambient Operating Temperature | UL Listed for Us and Canada |
|------------------|-------------|-------------------|--------------------------|---------------------------|---------------------|----------------|-------------------------------|--|
| 10W | 4W | 100 mA | 90 min. | Li-ion 18650 7.4V 2500mAh | 120-277 Vac 50/60Hz | 12-55 VDC | 0 °C through 55 °C | ULand cUL (UL924) Emergency LED Driver |

Dimensions / Weight

| | | | |
|--------|---------|-----------------|--------|
| Length | 12.4" | Height | 1.1' |
| Width | 1.77" | Mounting Length | 11.88" |
| Weight | 2.47 lb | | |



REMOTE TEST SWITCH

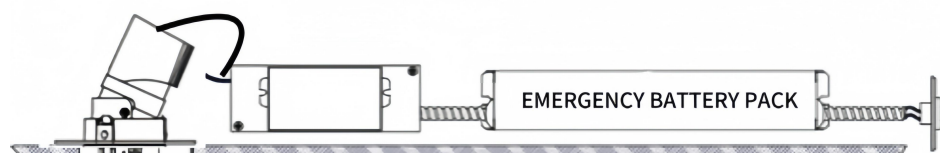
The remote test switch may be mounted adjacent to the LED fixture by others.

EMERGENCY BATTERY ACCESS

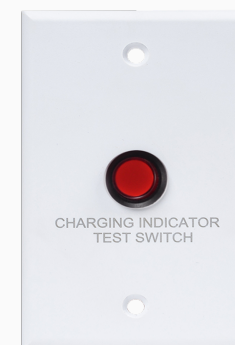
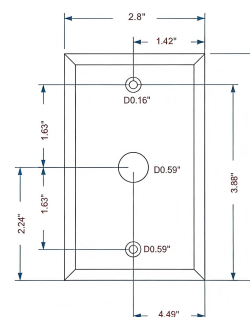
Above ceiling access is recommended for ease of service, but LED fixture sizes of 4" and larger are capable of below ceiling access. IC/ICAT/CP box and ITS option require an access panel in the ceiling (or other form of access) adjacent to the installation location of the emergency battery.

REMOTE LOCATION

Maximum remote mounting distance of the emergency driver shall be 50 feet. Remote location wiring provided by others. Follow all local and national electric/building codes.



WALL PLATE ACCESSORIES



TEST SWITCH

