

Project: _____ Type: _____ Qty: _____

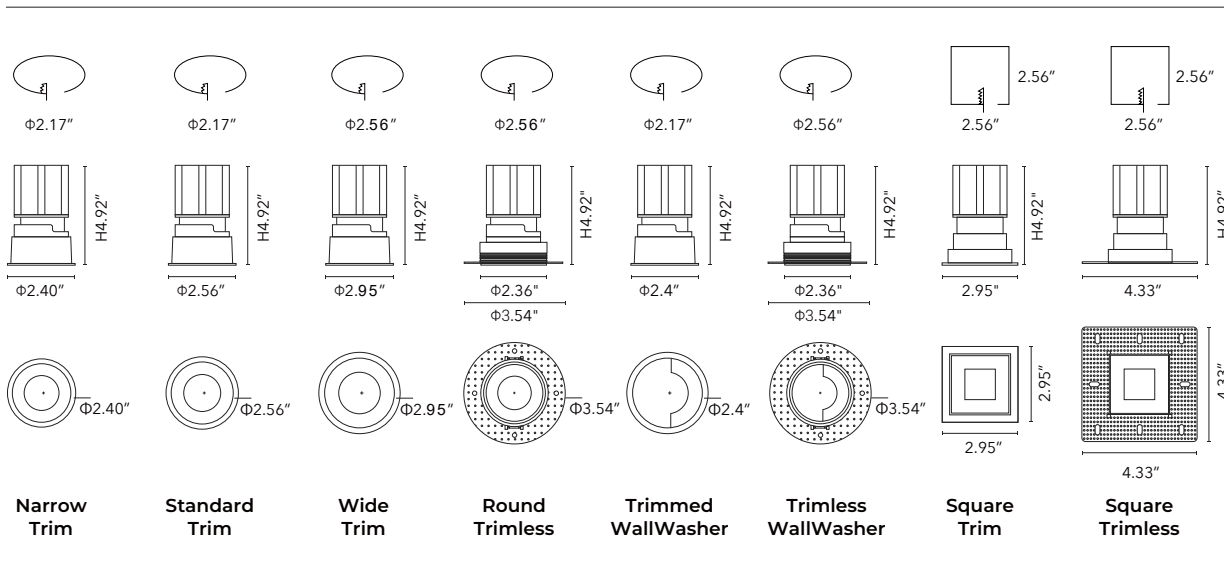


FEATURES

- Modular design, field replaceable LED module, trim, beam lens, and accessories
- Interchangeable secondary reflector options for glare control and maximum visual comfort.
- Quiet ceiling achieved through deep regress.
- Precise light control, 15°/24°/36°/50° TIR lens and Reflector lens options in 20°/30°/40°/60°
- Offered standard with flicker free dimming to .1%.

Type IC rated - approved for direct contact with insulation.
No IC housing needed.

SPECIFICATIONS



Input Voltage	100-277V AC
Wattage	10W / 15W
Delivered Lumens	730Lm - 1110Lm
LED	<3-Step MacAdam Ellipse (2-Step Available)
CCT	27K, 30K, 35K, 40K (other CCTs available)
CRI	>90Ra
Adjustability	Max Tilt Angle 30° / Horizontal Rotation Angle 355° < 19
Lamp Life	50,000Hr
Environment	IP20 & IP44
Heat Sink	Aluminum body with oxidized powder coating
Trim	Die-cast Aluminum
Operating Temp	-4°F - 104°F

Order Code

ORDER CODE EXAMPLE: GO2-2-RT-F-WD-LO-27K-R30-BK-B-SF-D10-NC-EM10

SERIES	SIZE	TRIM	WATTAGE	CCT	BEAM ANGLE
Go2	2 2.0"	RT Round Trimmed	F Fixed	Standard Trim	Reflector Lens OR TIR Lens R20 20 Degree 15D 15 Degree R30 30 Degree 24D 24 Degree R40 40 Degree 36D 36 Degree R60 60 Degree 50D 50 Degree R90 90 Degree <small>*Choose between reflector lens or TIR lens. For 10 degree optic, inquire with factory.</small>
		RL Round Trimless	A Adjustable	NR Narrow Trim	
		ST Square Trimmed	W Wall wash	WD Wide Trim	
		SL Square Trimless	S* Shower Trim		
			<small>*Non-conductive trim for shower</small>	<small>Leave blank for standard, trimless or square trim options</small>	
			LO 10W / 800lm HO 15W / 1200lm 27K 2700K 30K 3000K 35K 3500K 40K 4000K TW Tunable White 2700K-6500K WD Warm Dim 3000K-1800K FWCA FWC Amber		

FINISH	OPTICAL ACCESSORIES	ENVIRONMENT	DIMMING	INSTALLATION TYPE	ADDITIONAL OPTIONS
Reflector WH White BK Black SV Silver SG Specular Gold SB Specular Black SP Specular GW Golden Wheat	Trim W White B Black G Golden Wheat S Silver RAL# Custom <small>#Specify color</small>	SF Soft Focus SL Solite Lens HL Hexcell Louver LS Linear Spread CR Cutoff Ring <small>*CR option available for fixed only</small>	Leave blank if "dry or damp location (IP44)" WET for exterior wet locations (under covered ceiling only)	ELV Phase/Triac (3%) D10 0-10V (.1%) DAL DALI	NC New Construction Tray RM Remodel AT/CP Airtight/Chicago Plenum WC Wood Ceiling

Project: _____ Type: _____ Qty: _____

TRIM OPTIONS



REFLECTOR OPTIONS



OPTICAL LENS



WOOD CEILING ADAPTER



*For wood ceilings over 1" thick, specify ceiling thickness for proper spring clip selection. Ceilings over 2" require an extended collar.

PERFORMANCE

90 CRI / 2700K	15 Degree	24 Degree	36 Degree	50 Degree
10W	730Lm	750Lm	770Lm	790Lm
15W	1030Lm	1050Lm	1070Lm	1090Lm

90 CRI / 3000K	15 Degree	24 Degree	36 Degree	50 Degree
10W	750Lm	770Lm	790Lm	810Lm
15W	1050Lm	1070Lm	1090Lm	1110Lm

Preliminary, pre-launch test-data. Delivered lumen values +/- 5%. Optical filters will reduce delivered lumen values

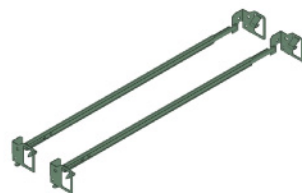
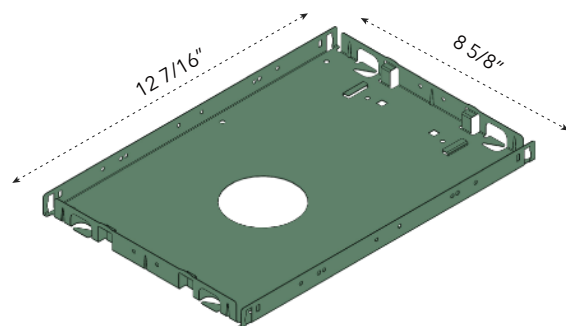
Project:

Type:

Qty:

MOUNTING OPTIONS

NC - New Construction Frame-In Tray



Standard bar hanger (included)

Mounting length 14 3/4" - 26".
Extension kit can be ordered separately.

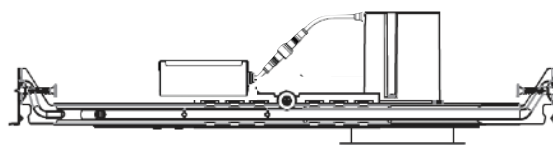
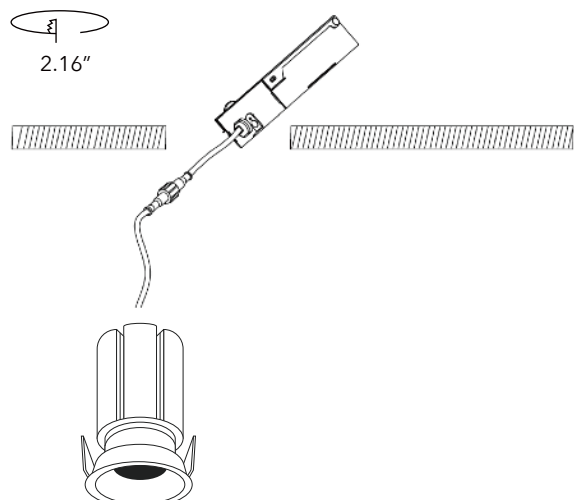


Commercial bar hanger #1487

Butterfly and caterpillar brackets available



New Construction & Remodel Mounting



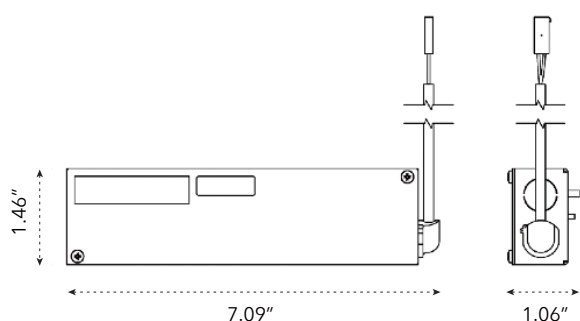
Note:

Small fixture housing and driver enclosure box assembly can be used for both new construction and remodel. For remodel application, no new construction tray is needed.

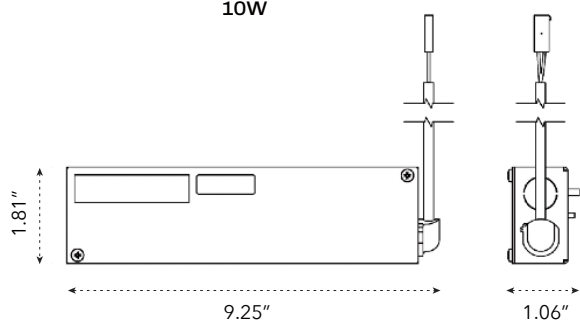
The ceiling cutout opening will be too small to fit your hand through it. So it is very important that the LED driver remains accessible by removing the lighting fixture, thus allowing you to inspect the connectors or LED driver at any time without physically damaging your ceiling or other building materials.

This mounting allows for installation from below the ceiling access and full serviceability of the LED driver and driver/junction box.

LED Driver Enclosure and Junction Box

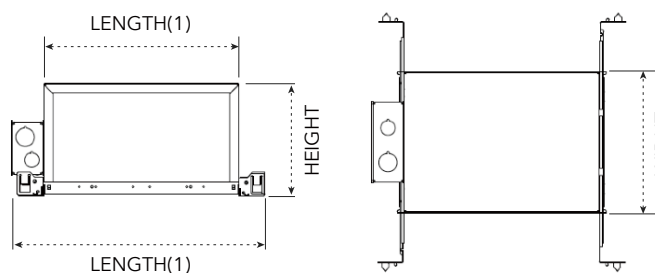


10W

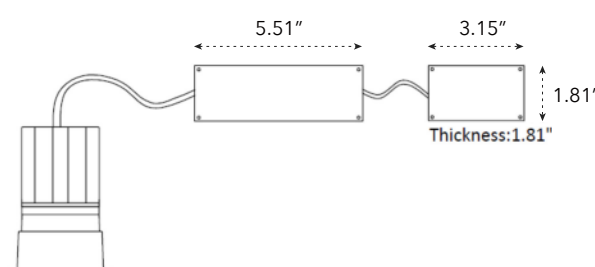


15W

Chicago Plenum / Airtight



Length	Width	Height
11 3/4"	8 1/2"	4 3/4"
		6 3/4"



2-sectional driver and wiring box will ship when the AT/CP option is selected. Also can be used for plenum space issues.

✉ info@binacompany.com

☎ 305.735.3114

🌐 www.binacompany.com



