

EDGE SLOT SYSTEM

Adjustable Spot Head

Project: _____ Type: _____ Qty: _____



FEATURES

Seamless, sharp-edged architectural feature that provides a clean-cut solution for any ceiling

EDGE is field cuttable or factory cut to length

Plaster-in precision knife edge.

Use with a variety of articulating arm spots and LED linear tape options.

Spots range from 10W (737lm) to 35W (2973lm)

Linear LED tape wattage options from 1.5W, 4W, 6W, 8.8W Per foot

Order Code

ORDER CODE EXAMPLE: EDSP-2.2-LO20W-35K-90-24D-BL-S-D10

SERIES	SIZE	WATTAGE	CCT	CRI	BEAM ANGLE	FINISH	
EDSP	2.2 2.2in (55mm)	LO 10W / 737lm	HO 15W / 1142Lm	80 Ra80 90 Ra90	15D 15 degree	WH White	
		LO 20W / 1669Lm	HO 25W / 2114Lm				24D 24 degree
	3.1 3.1in(80mm)	LO 30W / 2548Lm	HO 35W / 2973Lm		35K 3500K	36D 36 degree	CS Custom
					40K 4000K		
					57K 5700K		
					65K 6500K		
					TW Tunable White 2700K-6500K		
			WD Warm Dim 3000K-1600K				

OPTICAL ACCESSORIES	BASE	DIMMING
H Honeycomb Lens	Adj w / magnetic base-short arm	ELV ELV/TRIAC Phase Cutting3%
S Insulation Contact	Retracting Arm w / magnetic base-long arm	D10 0/1-10V(100%-1%)
	Retracting Arm w / screw base	DAL DALI-2 Dim to off 0.1%



*20W and 25W are also available with this fixture body.
Please select 2.5" and 2.75" under "SIZE" in the order code.
EXAMPLE: EDSP-2.5-LO-27K-80-15D-WH-S-M1-ELV

EDGE SLOT SYSTEM

Adjustable Spot Head

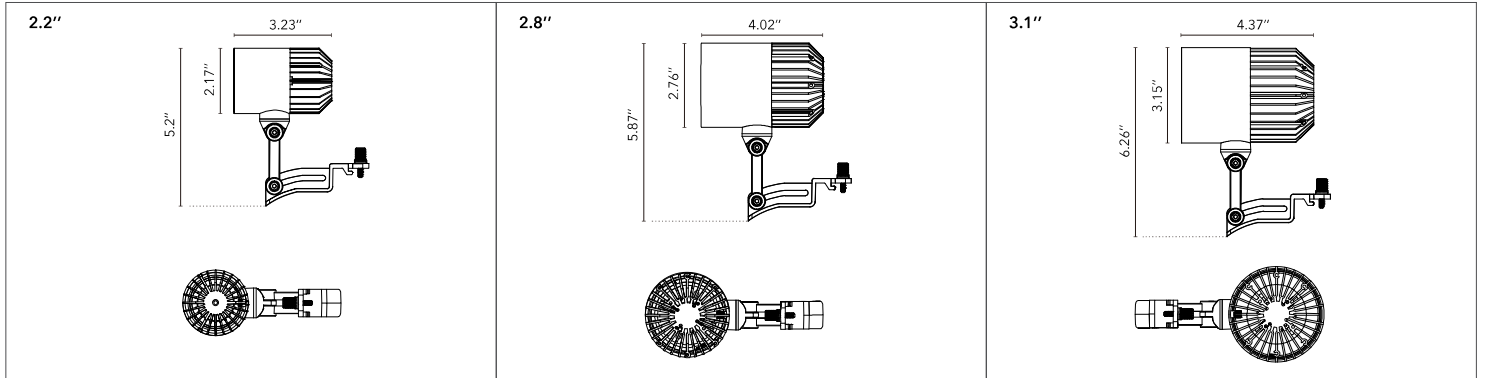
Project:

Type:

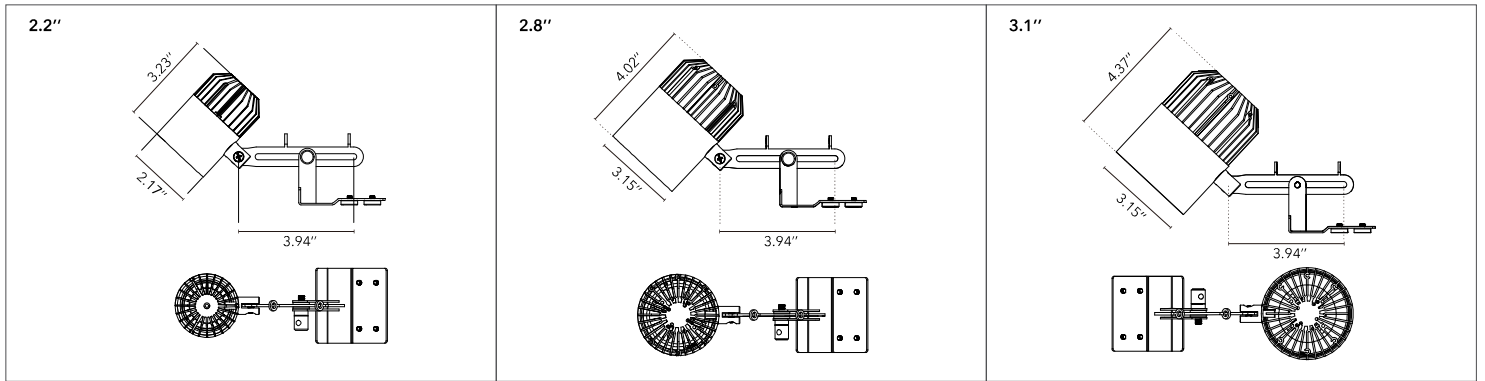
Qty:

DIMENSIONS AND MOUNTING OPTIONS

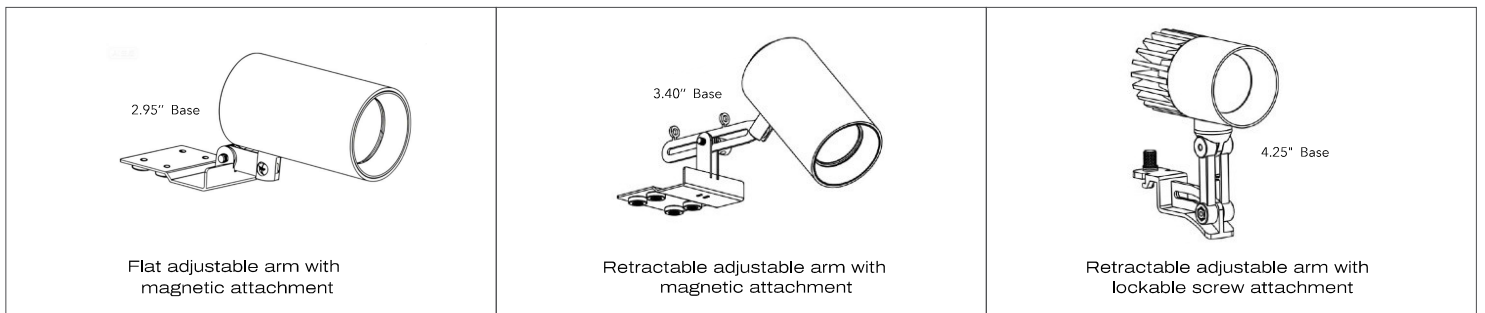
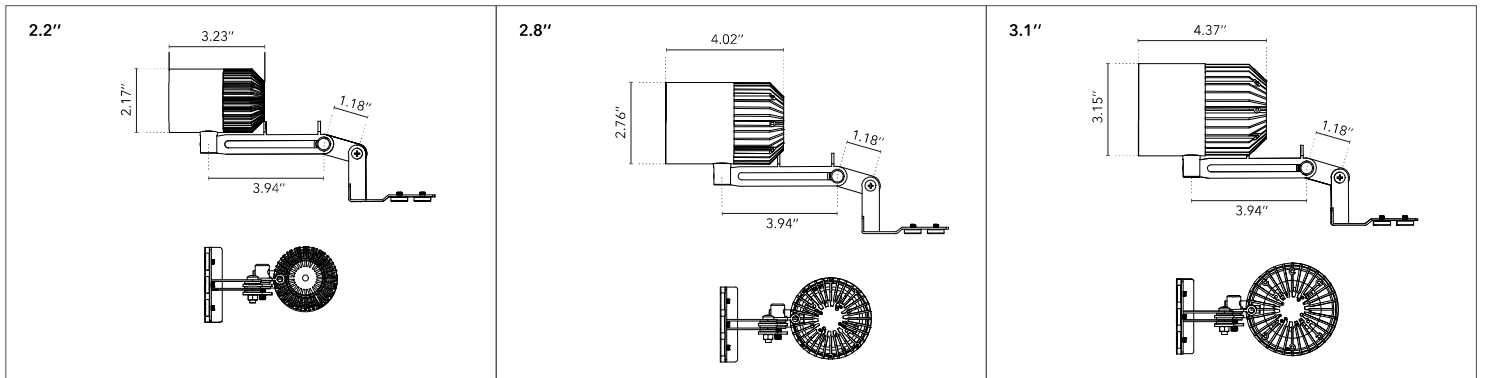
SCREWED STRUCTURE



MAGNETIC BASE WITH SHORT ARM



MAGNETIC BASE WITH MEDIUM ARM

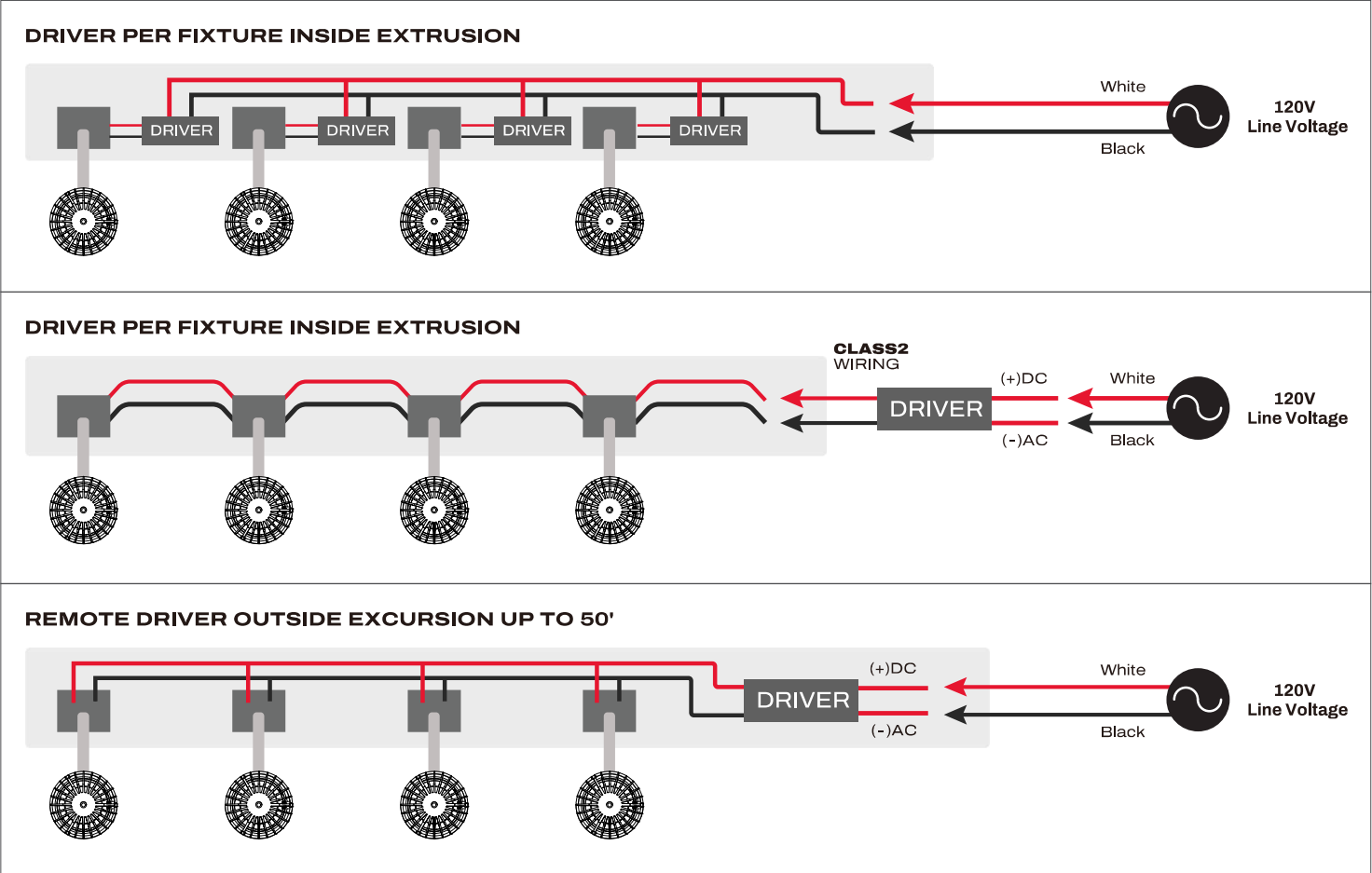


EDGE SLOT SYSTEM

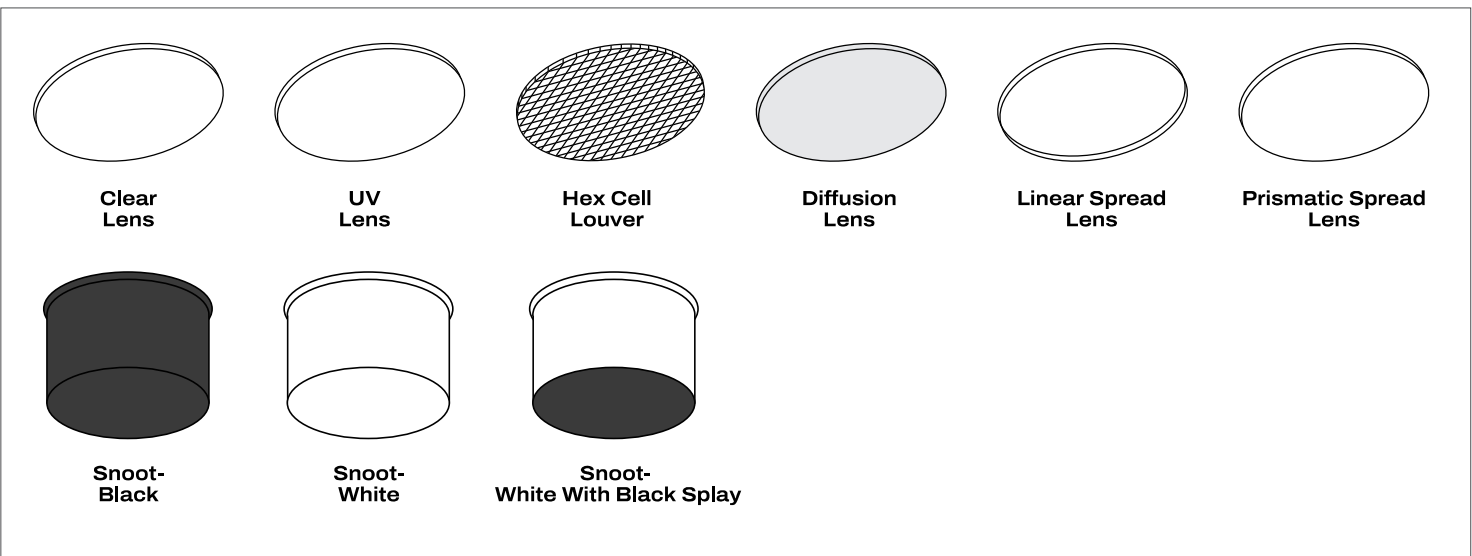
Adjustable Spot Head

Project: _____ Type: _____ Qty: _____

DRIVER WIRING OPTIONS



OPTICAL ACCESSORY



In an effort to offer the best product possible, we reserve the right to change, without notice, specification or material of the product.

EDGE SLOT SYSTEM

Adjustable Spot Head

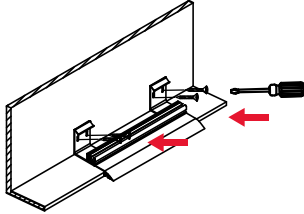
Project:

Type:

Qty:

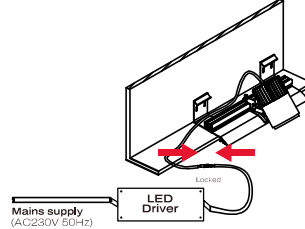
SCREW BASE

STEP 1 ▶



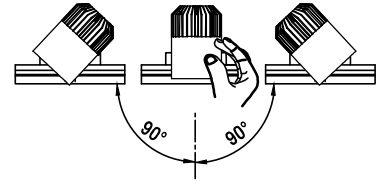
Secure the mounting plate to the ceiling junction box using the provided screws. Ensure the mounting plate is firmly fastened before proceeding.

STEP 2 ▶



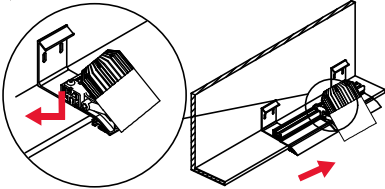
Align the fixture with the mounting plate and slide it into position as indicated.

STEP 3 ▶



Tighten the hand nut in the direction shown to lock the fixture onto the mounting plate. Confirm the fixture is fully secured.

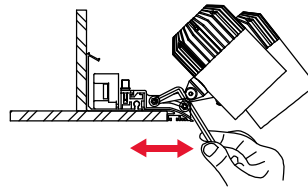
STEP 4 ▶



Connect the driver output to the luminaire input. Then connect the driver input to the building power supply. After wiring is completed, place the driver securely above the ceiling.

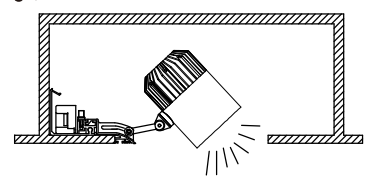
*All electrical connections must comply with local and national electrical codes.

STEP 5 ▶



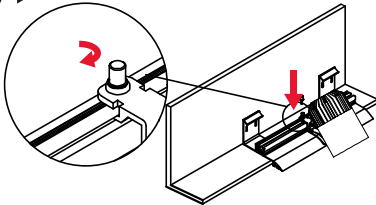
Use a wrench to loosen or tighten the adjustment screws to fine-tune the sliding position of the fixture.

STEP 6 ▶



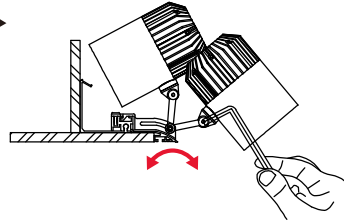
6: Use a wrench to adjust the screws on the fixture body to set the desired mounting position.

STEP 7 ▶



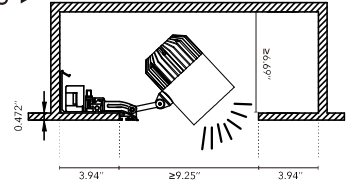
Manually rotate the fixture head to adjust the light projection direction.

STEP 8 ▶



As shown in Figures 5 and 6, adjust the fixture to the desired angle. Once properly positioned, restore power and turn on the switch.

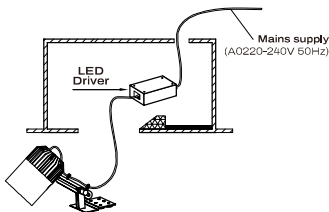
STEP 9 ▶



Refer to the installation sketch for final reference.

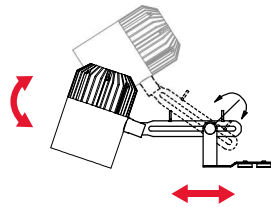
MAGNETIC BASE

STEP 1 ▶



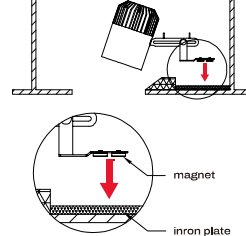
Turn off power before installation. Connect the driver input to the building power supply. After wiring is completed, place the driver securely in the designated position inside the lamp trough.

STEP 2 ▶



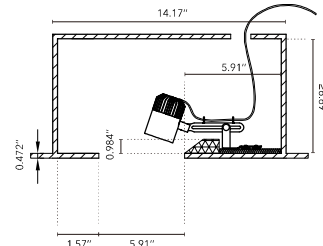
Adjust the sliding position of the fixture by turning the adjustment screw as required.

STEP 3 ▶



As shown in Figure 2, adjust the fixture to the desired angle. Secure the lamp holder magnet onto the steel plate in the direction indicated.

STEP 4 ▶



Adjust the beam angle to the desired spot position. Restore power and turn on the switch.

*Turn off power before installation. Installation must be performed by a qualified electrician. Wear protective gloves during installation.

In an effort to offer the best product possible, we reserve the right to change, without notice, specification or material of the product.

info@binacompany.com
305.735.3114
www.binacompany.com

