

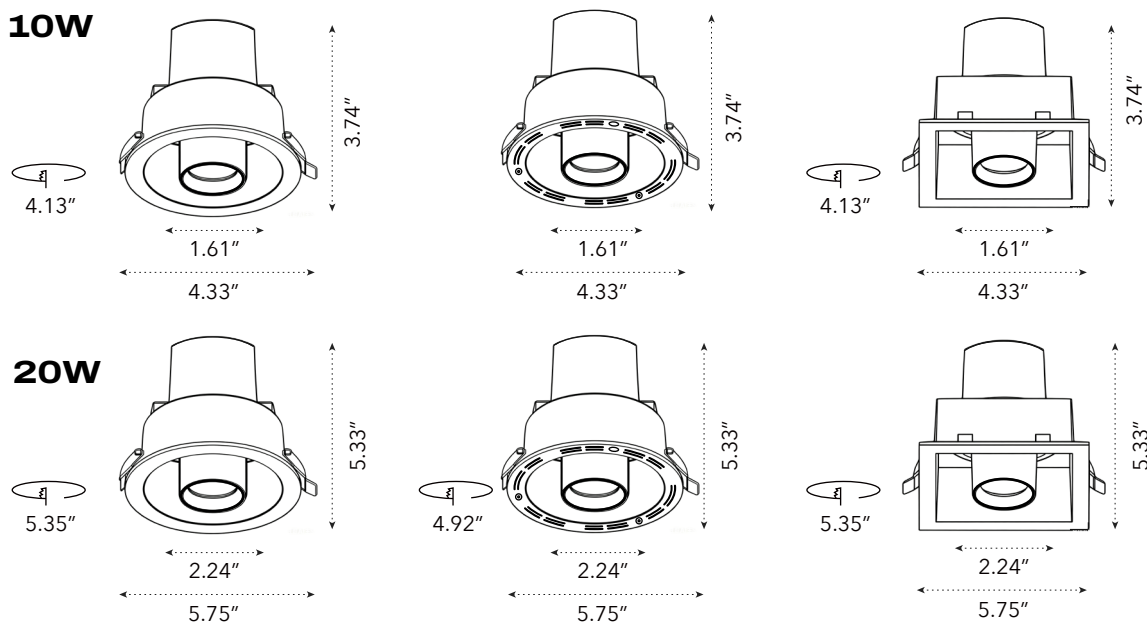
|          |       |      |
|----------|-------|------|
| Project: | Type: | Qty: |
|----------|-------|------|



## FEATURES

- COCKATOO features a unique, retractable light head that offers adjustable positioning and can rotate 360 degrees, providing versatile and dynamic lighting. The fixture boasts an excellent structural design, with a quick-click installation mechanism, making it ideal for high-end lighting projects. Its user-friendly design ensures easy installation, removal, and maintenance, enhancing both efficiency and longevity in demanding environments.
- Offered in square and round, with both trimmed and trimless options
- Standard CCTs 27K, 30K, 40K, 50K, 60K
- Black and White finish options

## SPECIFICATIONS



|                  |   |
|------------------|---|
| Input Voltage    | 100-277V AC   |
| Wattage          | 10W / 20W   |
| Delivered Lumens | 758Lm - 1656Lm +/-5%                                |
| LED              | <3-Step MacAdam Ellipse (2-Step Available)          |
| CCT              | 27K, 30K, 35K, 40K, D2W, TW                         |
| CRI              | >90Ra   |
| Adjustability    | 15°/24°/36°   |
| Lamp Life        | Max Tilt Angle 45° / Horizontal Rotation Angle 355° |
| Environment      | Trimmode Dimming / Triac / 0-10V (100%-1%)          |
| Heat Sink        | 50,000Hr  |
| Trim             | IP20  |
| Operating Temp   | -4° F - 104° F                                      |

## Order Code

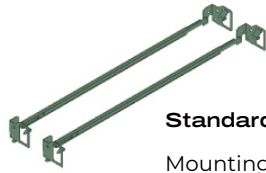
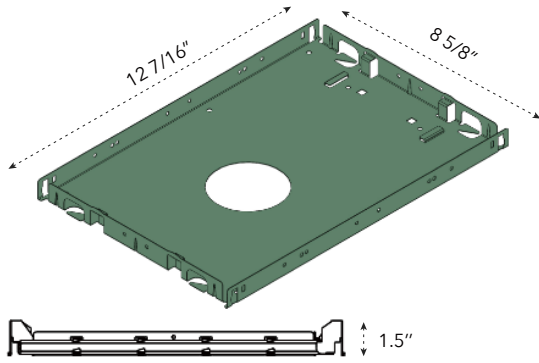
ORDER CODE EXAMPLE: CA2-57-T-27K-24D-WH-DAL-NC

| SERIES                  | SIZE     | TRIM                         | CCT       | BEAM ANGLE    | FINISH   | DIMMING                        |
|-------------------------|----------|------------------------------|-----------|---------------|----------|--------------------------------|
| CA2                     | 41 1.61" | T Trimmed                    | 27K 2700K | 15D 15 Degree | WH White | ELV ELV/TRIAC Phase Cutting 3% |
|                         | 57 2.24" | L Trimless                   | 30K 3000K | 24D 24 Degree | BL Black | D10 0/1-10V (100% - 1%)        |
|                         |          | S* Square                    | 35K 3500K | 36D 36 Degree |          | DAL DALI-2 Dim to off 0.1%     |
|                         |          | 40K 4000K                    |           |               |          |                                |
|                         |          | TW Tunable White 2700K-6500K |           |               |          |                                |
| WD Warm Dim 3000K-1800K |          |                              |           |               |          |                                |

| INSTALLATION TYPE               | EMERGENCY BACKUP |
|---------------------------------|------------------|
| NC New Construction Tray        | EM10 10W/90 Min  |
| IC Insulation Contact           |                  |
| AT/CP Airtight / Chicago Plenum |                  |

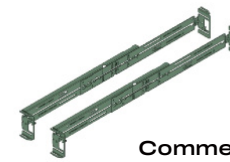
## MOUNTING OPTIONS

### NC - New Construction Frame-In Tray



**Standard bar hanger (included)**

Mounting length 14 3/4" - 26".  
Extension kit can be ordered separately.



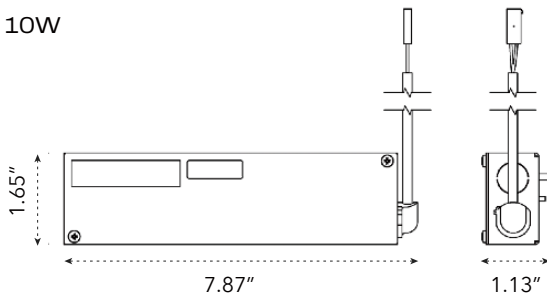
**Commercial bar hanger #1487**

Butterfly and caterpillar brackets available

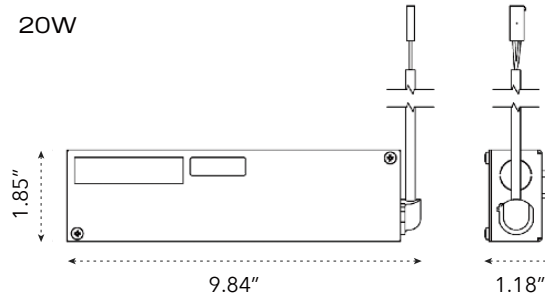


### LED Driver Enclosure and Junction Box

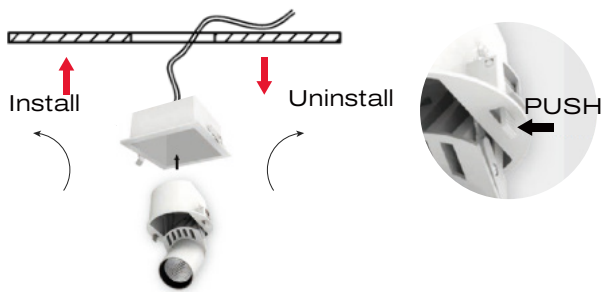
10W



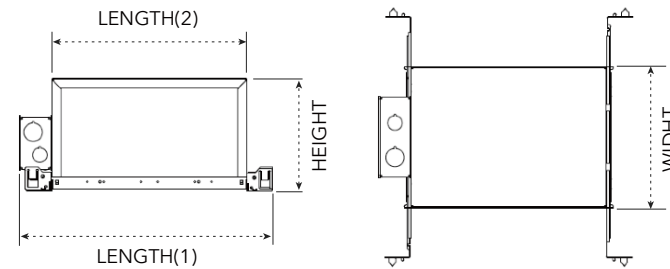
20W



### New Construction & Remodel Mounting



### IC / Chicago Plenum / Airtight



| Length  | Width  | Height |
|---------|--------|--------|
| 11 3/4" | 8 1/2" | 6 3/4" |

Project: \_\_\_\_\_ Type: \_\_\_\_\_ Qty: \_\_\_\_\_

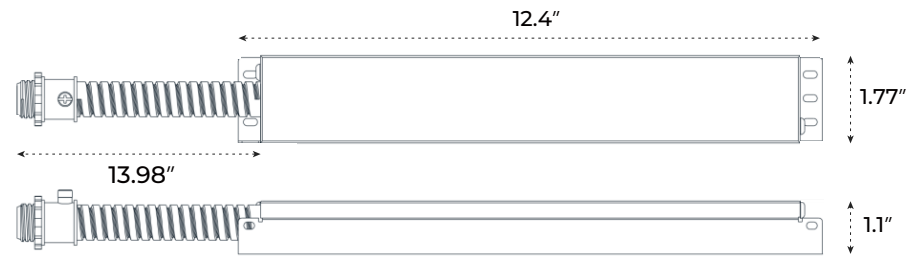
## EMERGENCY

### PRIMARY SPECIFICATIONS

| Output Power Max | Input Power | Input Current Max | Emergency Operating Time | Battery                      | Input Voltage | Output Voltage | Ambient Operating Temperature | UL Listed for Us and Canada |
|------------------|-------------|-------------------|--------------------------|------------------------------|---------------|----------------|-------------------------------|-----------------------------|
| 10W              | <5W         | 100mA             | >90 min                  | Li-ion 18650<br>7.4V 2500mAh | 100-277Vac    | 15-55Vdc       | 0°C through 50°C              | CUS                         |

### Dimensions / Weight

|        |         |                 |        |
|--------|---------|-----------------|--------|
| Length | 12.4"   | Height          | 1.1"   |
| Width  | 1.77"   | Mounting Length | 11.88" |
| Weight | 2.47 lb |                 |        |



### REMOTE TEST SWITCH

The remote test switch may be mounted adjacent to the LED fixture by others.

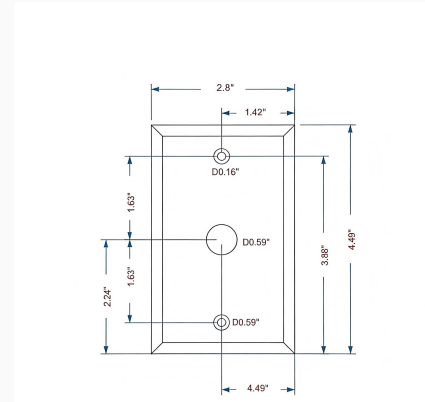
### EMERGENCY BATTERY ACCESS

Above ceiling access is recommended for ease of service, but LED fixture sizes of 4" and larger are capable of below ceiling access. IC/ICAT/CP box and ITS option require an access panel in the ceiling (or other form of access) adjacent to the installation location of the emergency battery.

### REMOTE LOCATION

Maximum remote mounting distance of the emergency driver shall be 50 feet. Remote location wiring provided by others. Follow all local and national electric/building codes.

### WALL PLATE ACCESSORIES



### TEST SWITCH

