

Project:	Type:	Qty:
----------	-------	------



## Key Features

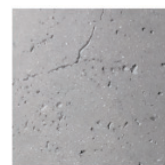
- Cement body with refined stainless steel frame for a contemporary architectural look
- Two optical options: wavy acrylic cover or textured diffuser
- Soft, uniform, and glare-free light distribution
- IP65-rated for outdoor resistance to rain, dust, and moisture
- IP68 waterproof connectors for enhanced electrical safety and durability
- Designed for long-term outdoor use with high structural stability
- Suitable for modern landscape and architectural lighting applications

## Order Code

ORDER CODE EXAMPLE: BRUT BOLLARD-RD3-H2-27K-24V-D10-PS

SERIES	TYPE/WATTAGE		ACCESSORIES		CCT			
<b>Brut Bollard</b>	<b>RD1</b>	Round type1 20W(687LM)	<b>TH1</b>	Thin type1 9.6W(846LM)	<b>H1</b>	Short flat ring *Only applicable to	<b>27K</b>	2700K
	<b>RD2</b>	Round type2 20W(687LM)	<b>TH2</b>	Thin type1 9.6W(846LM)	<b>H2</b>	High flat ring Types RD1-RD3	<b>30K</b>	3000K
	<b>RD3</b>	Round type3 20W(687LM)	<b>YT1</b>	Yshape twin beam 1 9.6W(1369LM)	<b>H3</b>	High step	<b>35K</b>	3500K
	<b>RD4</b>	Round type4 20W(687LM)	<b>YT2</b>	Yshape twin beam 1 9.6W(1369LM)	<b>C1</b>	Chrome reflector *Only applicable to	<b>40K</b>	4000K
	<b>RD5</b>	Round type5 20W(687LM)			<b>C2</b>	Cement reflector Types RD4&RD5		
	<b>SQ1</b>	Square type1 9.6W(760LM)						
	<b>SQ2</b>	Square type2 9.6W(760LM)						
	<b>SQ3</b>	Square type3 9.6W(760LM)						

INPUT VOLTAGE	DIMMING	FINISH
<b>12V</b> 12V DC	<b>NON</b> Non Dim	<b>PS</b> Pepper Sand(12)
<b>24V</b> 24V DC	<b>ELV</b> Triac/ELV	<b>SG</b> Starling Grey(13)
	<b>D10</b> 0-10V	<b>NS</b> Natural Stone(18)
	<b>DALI</b> DALI	<b>SEB</b> Slat Earth Brown(04)



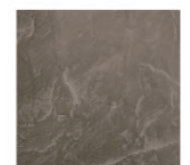
Limestone (21)



Pepper Sand (12)



Natural Stone (18)

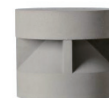


Slate Earth Brown (4)

### OPTIONAL LIGHT HEADS



H1 Short flat



H2 High flat



H3 High step

\*Only applicable to Types RD1-RD3

### OPTIONAL REFLECTOR



C1

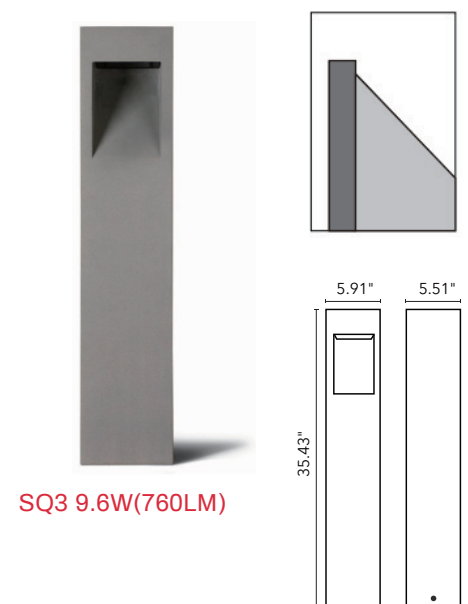
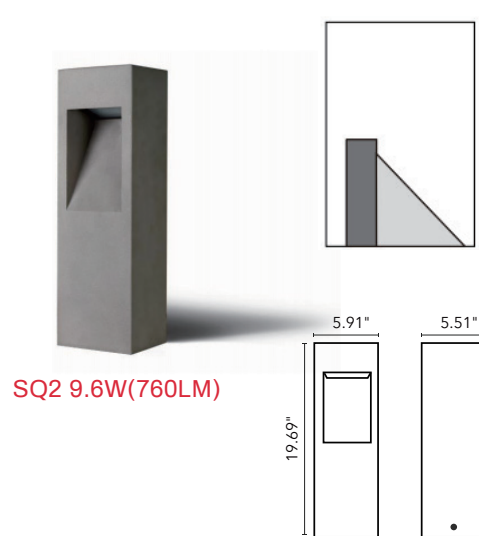
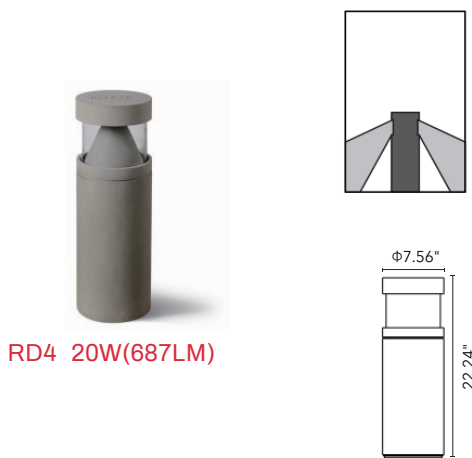
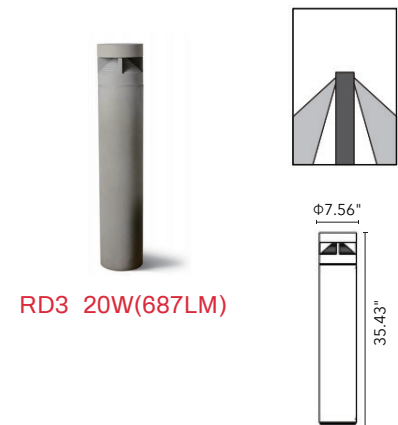
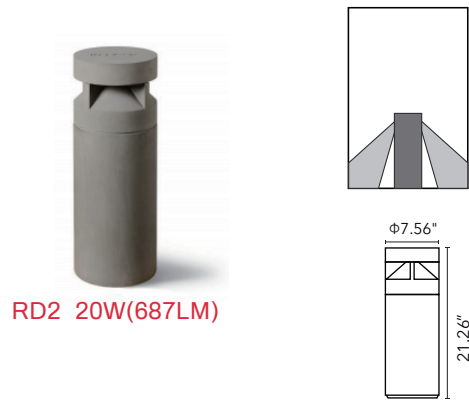
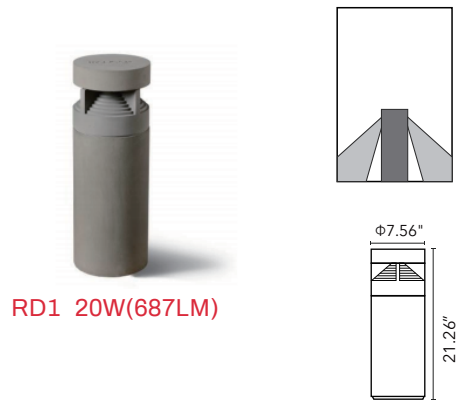


C2

\*Only applicable to Types RD4&RD5

Project: \_\_\_\_\_ Type: \_\_\_\_\_ Qty: \_\_\_\_\_

## LUMINAIRE STYLES



Project: Type: Qty:

## LUMINAIRE STYLES



## LUMINAIRE STYLES

