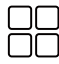






Project:	Type:	Qty:
----------	-------	------

 Wide selection of luminaires that work with both the LITHE and CATWALK lighting systems.


 An assortment of spots, linear and decorative pendants in 48V DC

 Dimmable down to 1% (0-10V) and DALI. Premium dimming (.1% 0-10V) available (consult factory).

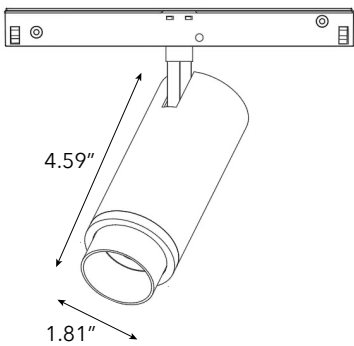
 Warm dimming and tunable white available (consult factory)

 Fixtures click and lock into place

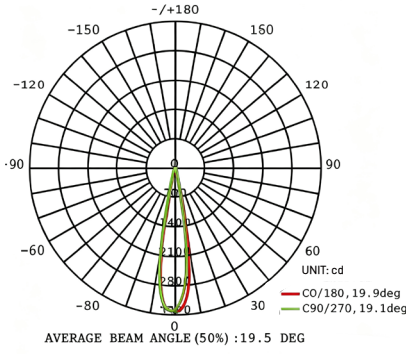
SPOT LUMINAIRES



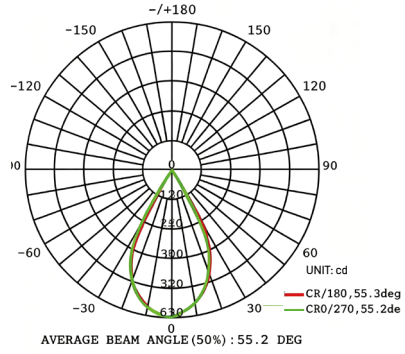
4.59"
1.81"




3.80"
2.28"



AVERAGE BEAM ANGLE (50%) : 19.5 DEG



AVERAGE BEAM ANGLE (50%) : 55.2 DEG



Zoom Lens - 15 - 55 degree

ORDER CODE

ORDER CODE EXAMPLE: Z6-48V-80-27K-Z-D10-WH-FA

MODEL	VOLTAGE	CRI	CCT	BEAM
Z6 6W(395-450lm)	48V 48VDC	80 80Ra	27K 2700K	Z Zoomable Lens
Z15 15W (1140-1215lm)		90 90Ra	30K 3000K	
			35K 3500K	
			40K 4000K	
			TW Tunable White 2700K-6500K	
			WD Warm Dim 3000K-1800K	

DIMMING	FINISH	ACCESSORY
D10 0-10V	WH White	HC Honeycomb Black
DALI DALI	BK Black	LS Linear Spread
WLS Wireless / Bluetooth	RAL Custom RAL	FA Flexible arm for uplight(0.75"+0.85" length)
ELV ELV / Phase		FAC# Flexible arm for uplight with custom length, specify length

Project:	Type:	Qty:
----------	-------	------

SPOT LUMINAIRES

Spots

S8 **S12** **S15** **S21**

S23 **S15A**

Flexible track head for curved tracks Flexible arm for upright track

Please consult BINA for detailed information based on your specific requirements.

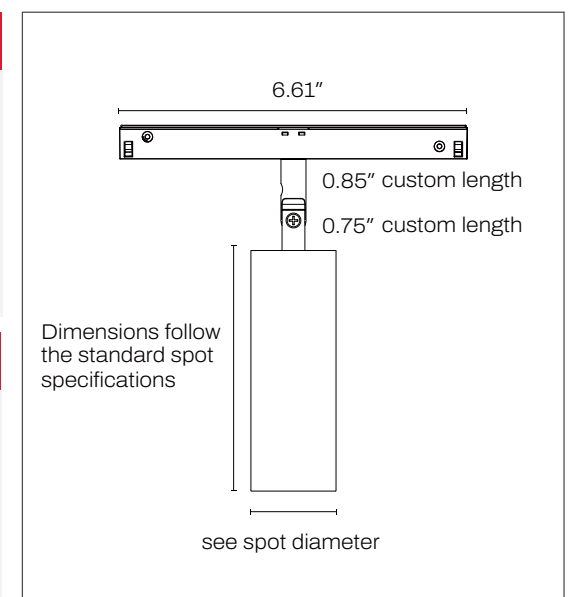
HC **LS** **CB**

ORDER CODE

ORDER CODE EXAMPLE: S21-48V-80-30K-24D-D10-WH-HC

MODEL	VOLTAGE	CRI	CCT	BEAM
S8	8W (560lm)	48V 48VDC	80 80Ra	27K 2700K
S12	12W (840lm)		90 90Ra	30K 3000K
S15	15W (1260LM)			35K 3500K
S21	21W (1470lm)			40K 4000K
S23	22.5 (1725lm)			TW Tunable White 2700K-6500K
S15A	15W (1050lm)			WD Warm Dim 3000K-1800K

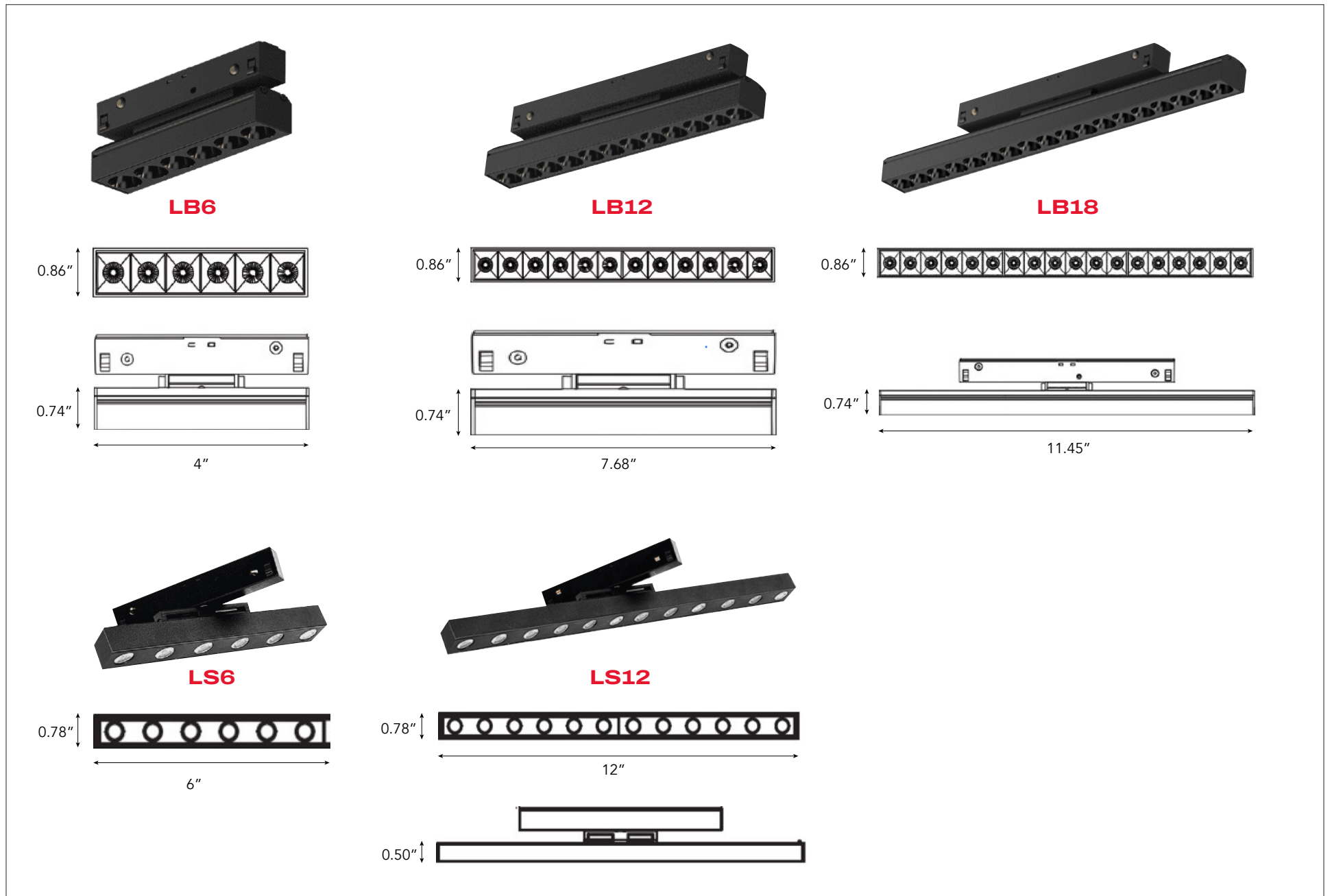
DIMMING	FINISH	ACCESSORY
D10 0-10V	WH White	HC Honeycomb Black
DALI DALI	BK Black	LS Linear Spread
ELV ELV / Phase	RAL Custom RAL	CB Cross Baffle
WLS Wireless / Bluetooth		FA Flexible arm for upright(0.75"+0.85" length)
		FAC# Flexible arm for upright with custom length, specify length



Project: _____ Type: _____ Qty: _____

LINEAR LUMINAIRES

Linear Baffle



ORDER CODE ORDER CODE EXAMPLE: LB6-48V-90-30K-34D-45D-DALI-BK

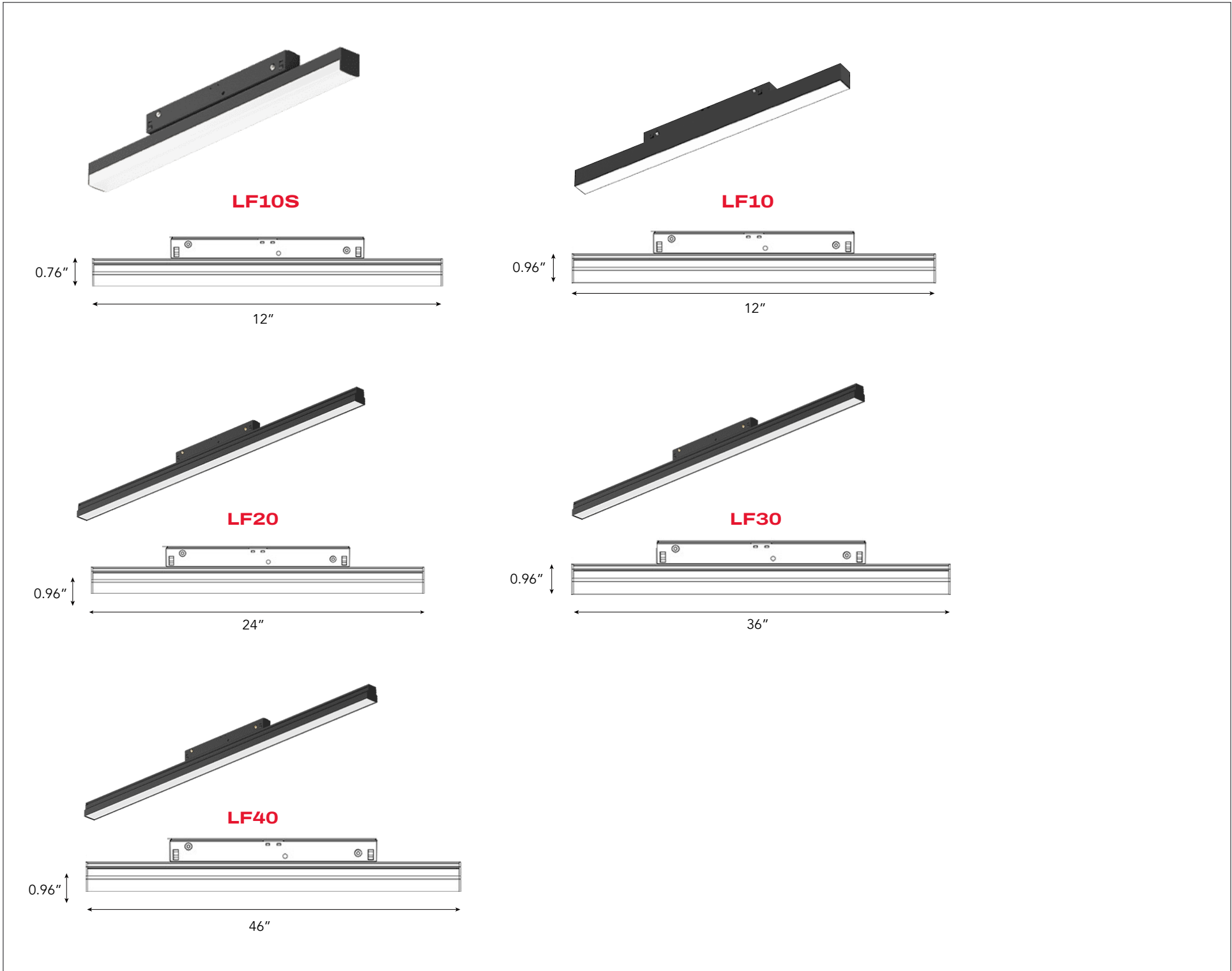
MODEL	VOLTAGE	CRI	CCT	BEAM	
LB6	48V 48VDC	80 80Ra 90 90Ra	27K 2700K 30K 3000K 35K 3500K 40K 4000K	LB Series	
LB12				20D 20 Degree	20D 20 Degree
LB18				34D 34 Degree	45D 45 Degree
LS6				48D 48 Degree	60D 60 Degree
LS12			TW Tunable White 2700K-6500K		
			WD Warm Dim 3000K-1800K		

DIMMING		FINISH	
D10	0-10V	WH	White
DALI	DALI	BK	Black
ELV	ELV / Phase	RAL	Custom RAL
WLS	Wireless / Bluetooth		

Project: _____ Type: _____ Qty: _____

LINEAR LUMINAIRES

Linear Frost



ORDER CODE

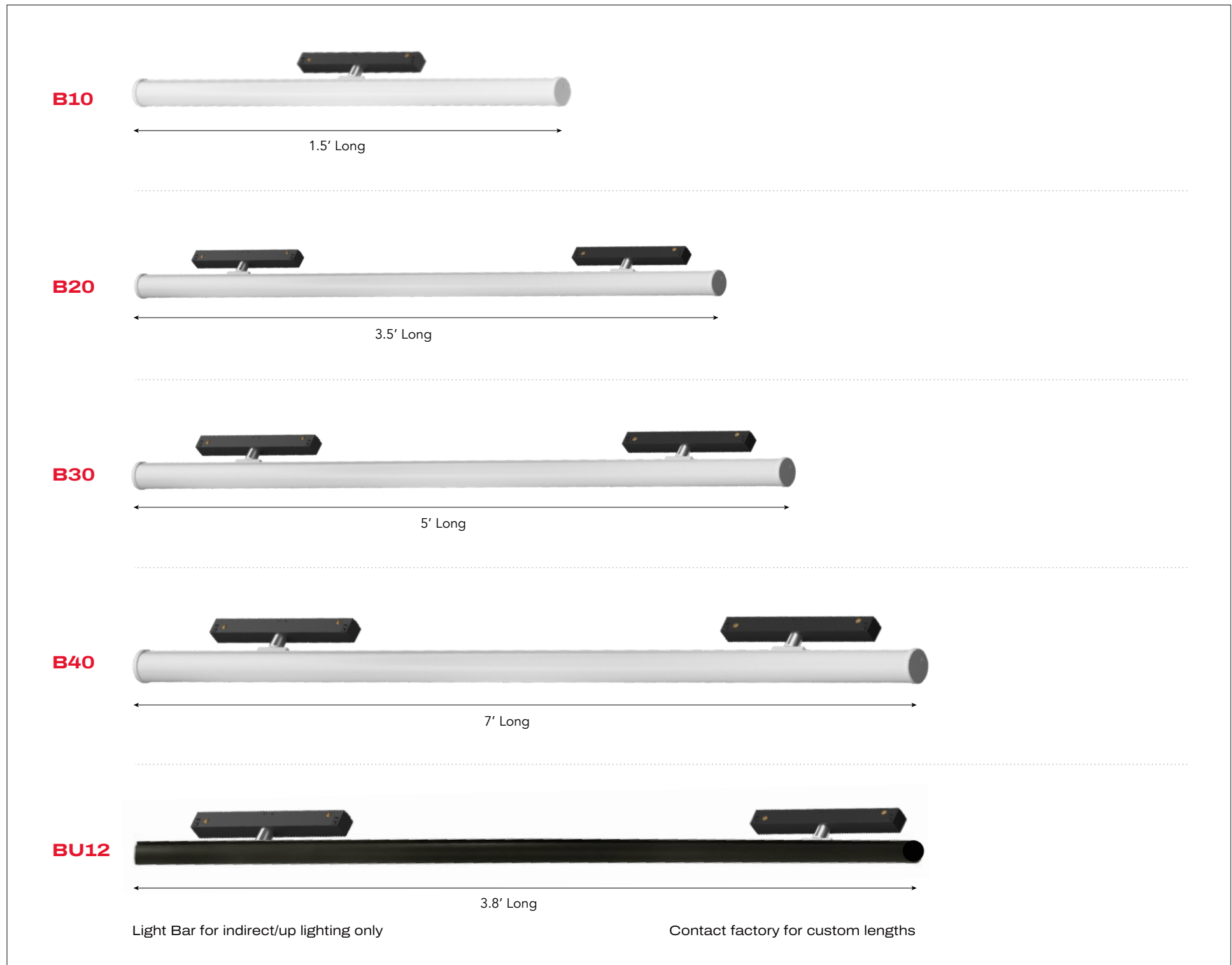
ORDER CODE EXAMPLE: LF10-48V-80-30K-100D-D10-WH

MODEL	VOLTAGE	CRI	CCT	BEAM	DIMMING	FINISH
LF10S 10W (600lm)	48V 48VDC	80 80Ra	27K 2700K	100D LF10, LF20, LF40	D10 0-10V	WH White
LF10 10W (600lm)		90 90Ra	30K 3000K	300D LF10S	DALI DALI	BK Black
LF20 20W (1200lm)			35K 3500K		ELV ELV / Phase	RAL Custom RAL
LF30 30W (1800l)			40K 4000K		WLS Wireless / Bluetooth	
LF40 40W (2400lm)			TW Tunable White 2700K-6500K			
			WD Warm Dim 3000K-1800K			

Project: _____ Type: _____ Qty: _____

LINEAR LUMINAIRES

Light Bars



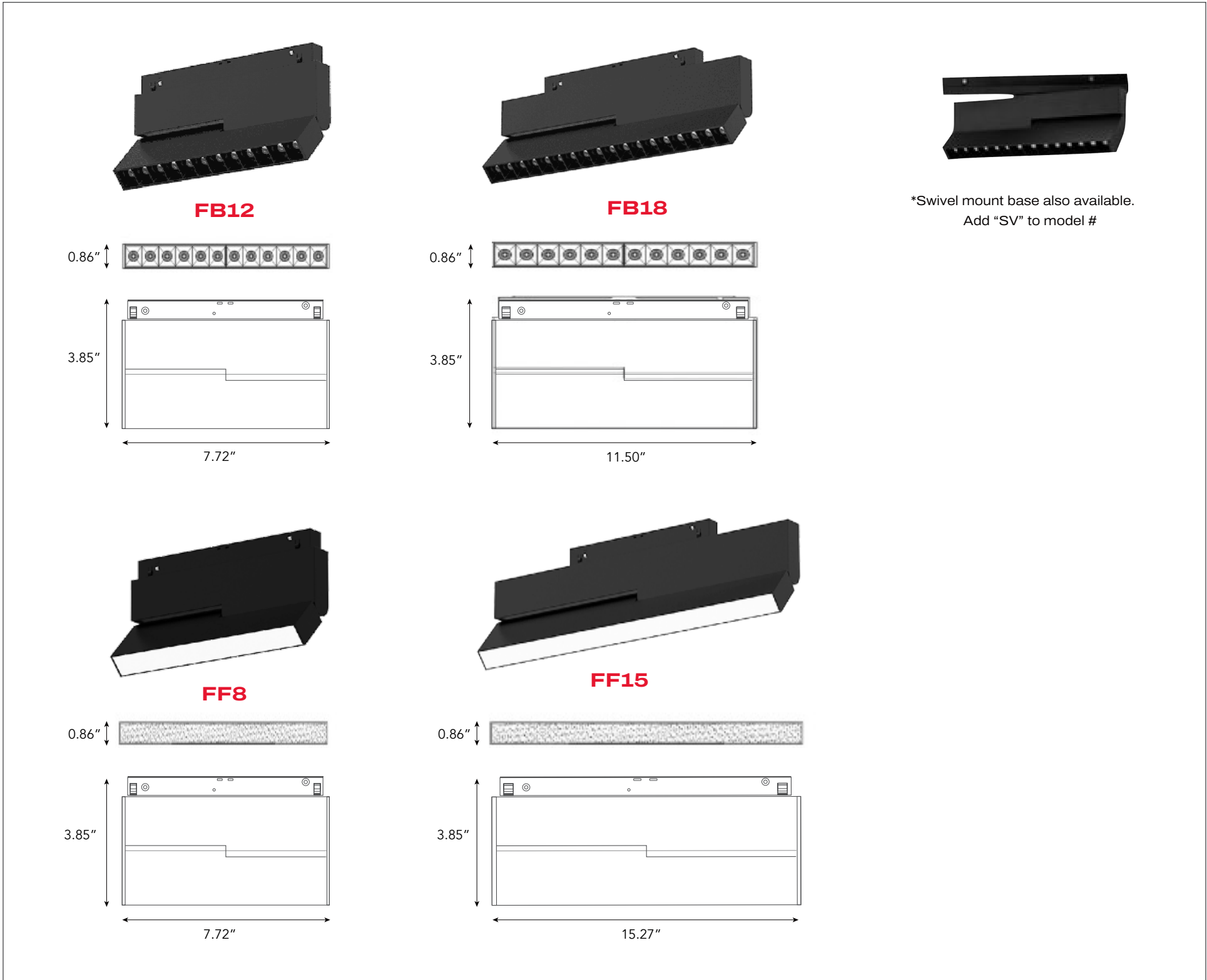
ORDER CODE ORDER CODE EXAMPLE: B10-48V-80-30K-D-D10-WH

MODEL	VOLTAGE	CRI	CCT	BEAM	DIMMING	FINISH
B10 10W (600lm)	48V 48VDC	80 80Ra	27K 2700K	D Diffused	D10 0-10V	WH White
B20 20W (1200lm)		90 90Ra	30K 3000K		DALI DALI	BK Black
B30 30W (1800lm)		35K 3500K	ELV ELV / Phase		RAL Custom RAL	
B40 40W (2400lm)		40K 4000K	WLS Wireless / Bluetooth			
BU12 12W (600lm)		TW Tunable White 2700K-6500K				
	WD Warm Dim 3000K-1800K					

Project: _____ Type: _____ Qty: _____

FOLDABLE LUMINAIRES

Foldable



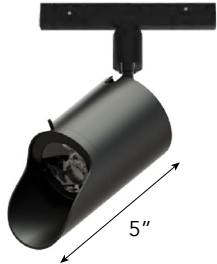
ORDER CODE

ORDER CODE EXAMPLE: FB12-48V-80-30K-25D-D10-WH

MODEL	VOLTAGE	CRI	CCT	BEAM	DIMMING	FINISH
FB12 12W (960lm)	48V 48VDC	80 80Ra	27K 2700K	25D 25 Degree	D10 0-10V	WH White
FB18 18W (1260lm)		90 90Ra	30K 3000K	45D 45 Degree	DALI DALI	BK Black
FF8 8W (480lm)			35K 3500K	60D 60 Degree	ELV ELV / Phase	RAL Custom RAL
FF15 15W (900lm)			40K 4000K	110D Only FF Series	WLS Wireless / Bluetooth	
			TW Tunable White 2700K-6500K			
			WD Warm Dim 3000K-1800K			

Project:	Type:	Qty:
----------	-------	------

WALL WASH AND FEXIBLE LUMINAIRES



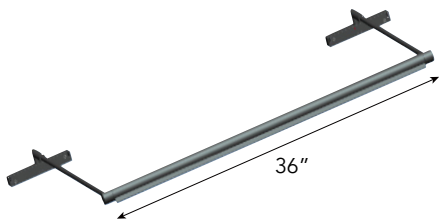
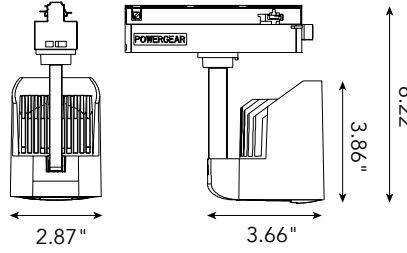
SW15

Spot with wall wash optic. 90 degree adjustment with 360 degree rotation



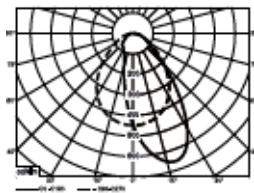
WW12

Superior wall-washing and glare control performance



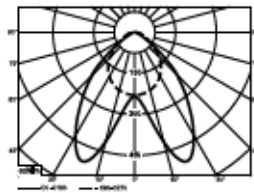
ARM20

Single polarized wall washer with a rotatable bar, making it easy to aim the light where you need it.

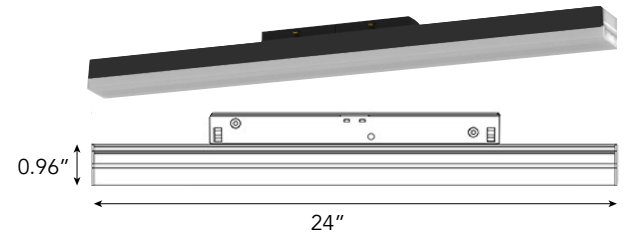


ASY20

Asymmetric linear wall wash with single and dual polarized optic



DAS20



Flexible



SC6 SC12 SC18

Soft Silicone for straight and curved track



CH6

Flexible Chain for straight and curved track

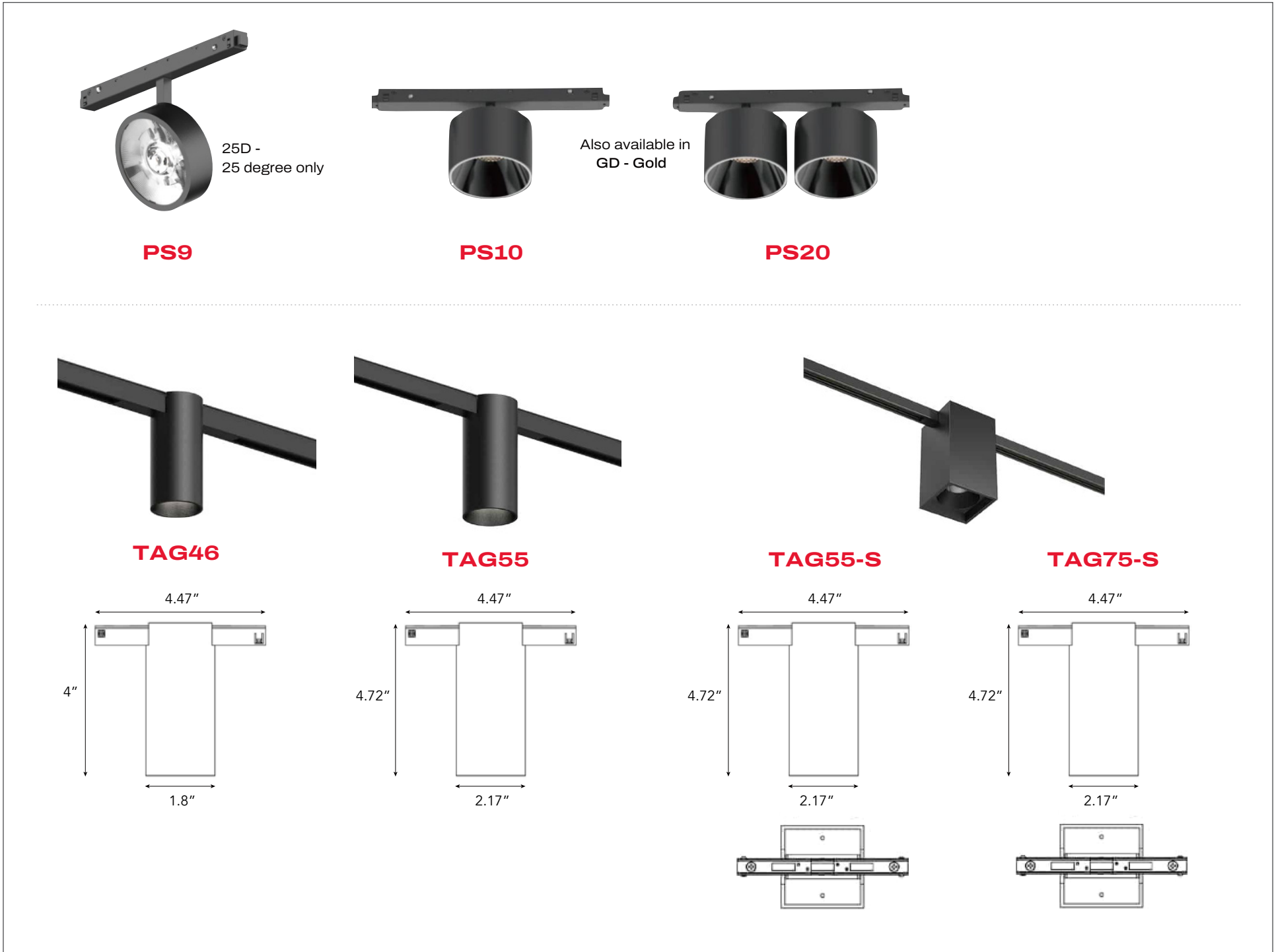
ORDER CODE ORDER CODE EXAMPLE: DAS20-48V-80-30K-25D-D10-WH

MODEL	VOLTAGE	CRI	CCT	BEAM	DIMMING	FINISH
SW15	15W (1200lm)	48V 48VDC	80 80Ra	27K 2700K	25D 25 Degree	D10 0-10V
WW12	12W(960lm),		90 90Ra	30K 3000K	45D 45 Degree	DALI DALI
ASY20	20W (1600lm)		35K 3500K	60D 60 Degree	ELV ELV / Phase	RAL Custom RAL
DAS20	20W (1600lm)		40K 4000K	----- Leave Blank	WLS Wireless / Bluetooth	
ARM20	20W (1550lm)		TW Tunable White 2700K-6500K			
SC6	6W (210lm)		WD Warm Dim 3000K-1800K			
SC12	12W (420lm)					
SC18	18W (840lm)					
CH6	6W (480lm)					

Project:	Type:	Qty:
----------	-------	------

POINT SOURCES

Point Source

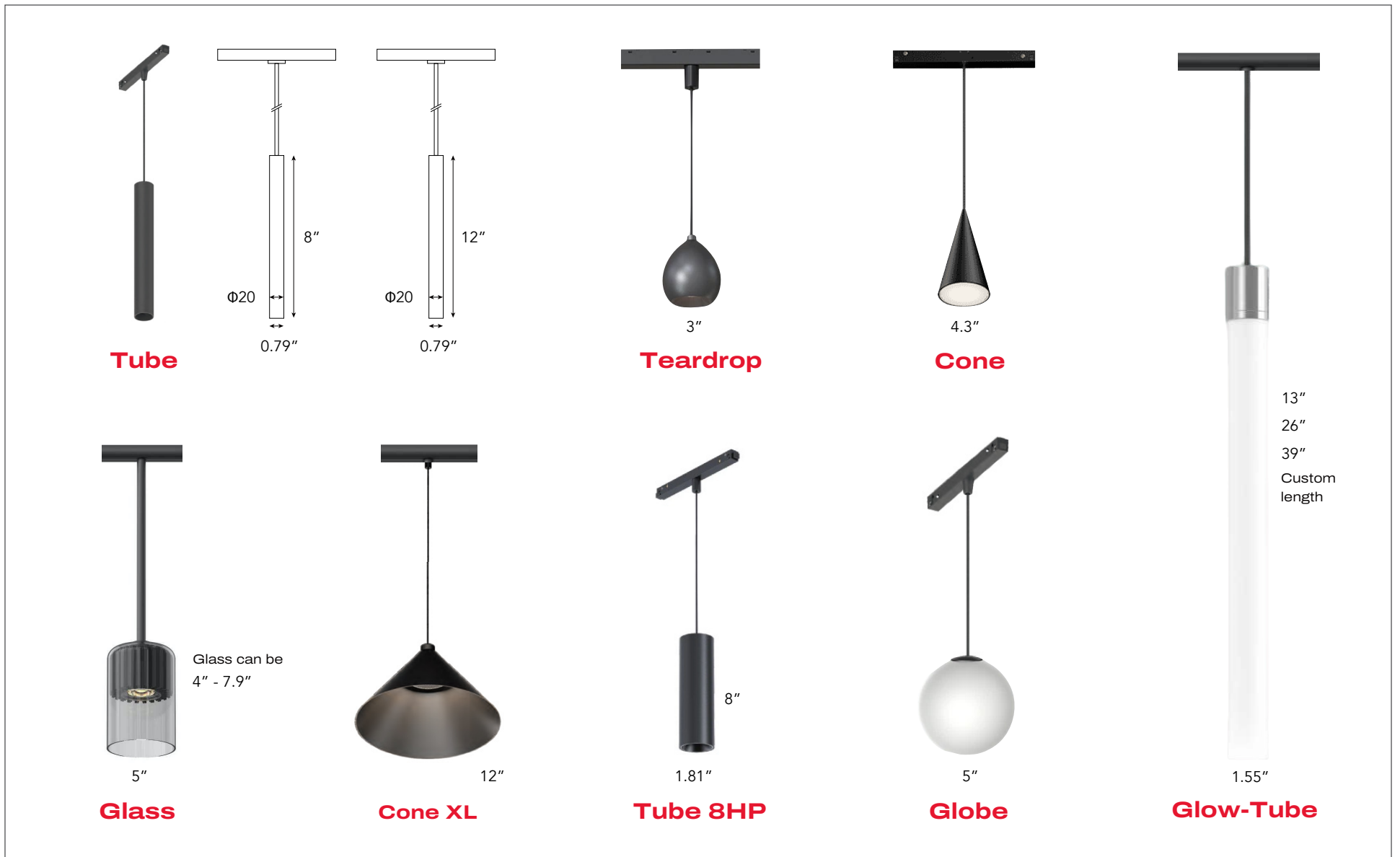


ORDER CODE ORDER CODE EXAMPLE: PS9-48V-80-30K-24D-D10-WH

MODEL	VOLTAGE	CRI	CCT	BEAM	DIMMING	FINISH	
PS9	9W (650LM)	48V 48VDC	80 80Ra	27K 2700K	15D 15 Degree	D10 0-10V	WH White
PS10	10W (750LM)		90 90Ra	30K 3000K	24D 24 Degree	DALI DALI	BK Black
PS20	20W (1500LM)			35K 3500K	36D 36 Degree	ELV ELV / Phase	RAL Custom RAL
TAG46	10W (600LM)		40K 4000K		WLS Wireless / Bluetooth		
TAG55	15W (900LM)		TW Tunable White 2700K-6500K				
TAG55-S	10W (600LM)		WD Warm Dim 3000K-1800K				
TAG75-S	15W (900LM)						

Project: _____ Type: _____ Qty: _____

DECORATIVE LUMINAIRES




ORDER CODE ORDER CODE EXAMPLE: TUBE8-48V-80-30K-24D-D10-WH-R

MODEL	VOLTAGE	CRI	CCT	BEAM	DIMMING	FINISH	
Tube8	5W (250lm)	48V 48VDC	80 80Ra	27K 2700K	15D 15 Degree	D10 0-10V	WH White
Tube12	5W (250lm)		90 90Ra	30K 3000K	24D 24 Degree	DALI DALI	BK Black
Glow-Tube13	10W (550lm)		35K 3500K	36D 36 Degree	ELV ELV / Phase	CL Clear	
Glow-Tube26	20W (1100lm)		40K 4000K	*D Diffused	WLS Wireless / Bluetooth	SM Smokey For 5"Glass Only	
Glow-Tube39	25W (1375lm)		TW Tunable White 2700K-6500K			RD Red For 5"Glass Only	
Cone	5W (225lm)		WD Warm Dim 3000K-1800K			TL Teal For 5"Glass Only	
Teardrop	5W (500lm)					RAL Custom RAL	
Globe	10W (650lm)						
Tube8HP	12W (1100lm)						
Glass	15W (1100lm)						
ConeXL	18W (780lm)						

	LENGTH CABLE
SUSPENSION	XX" inches Specify in
R Rod	
C Cable/Wire	

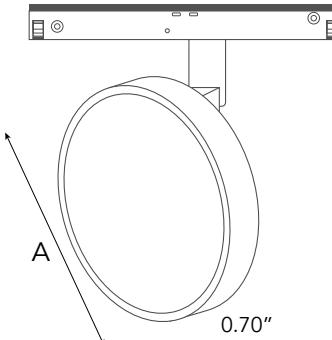
Project: _____ Type: _____ Qty: _____

DECORATIVE LUMINAIRES




Sun10 - 3.96"
Sun20 - 5.33"

Sun10 **Sun20**



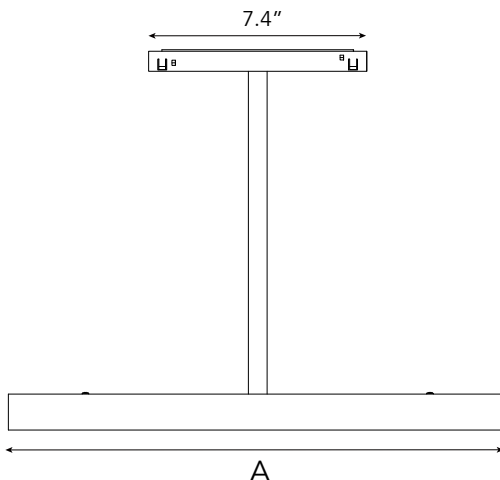
A

0.70"



Sun20P - 10"
Sun35P - 17"

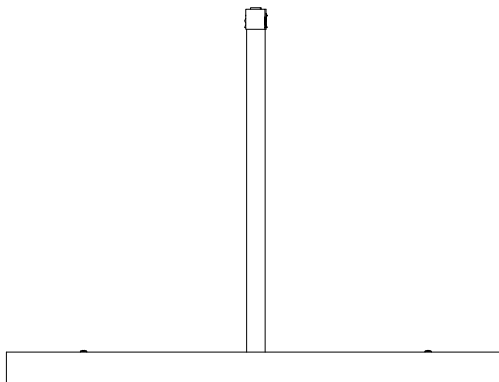
Sun20P **Sun35P**



7.4"

1.22"

A



Ceiling Rod Length: 2" / 12" / 15.75" / 27.56" / Custom
 Cable / Wire Length: Can be adjusted from 2" to 6'5".
 Consult factory for longer lengths.

ORDER CODE ORDER CODE EXAMPLE: SUN10-48V-80-30K-D10-WH-R

MODEL	VOLTAGE	CRI	CCT	BEAM	DIMMING
Sun10 10W (840lm)	48V 48VDC	80 80Ra	27K 2700K	Leave blank 110 Degree	D10 0-10V
Sun20 20W (1740lm)		90 90Ra	30K 3000K		DALI DALI
Sun20P 20W (1740lm)		35K 3500K	ELV ELV / Phase		
Sun35P 35W (2993lm)		40K 4000K	WLS Wireless / Bluetooth		
			TW Tunable White 2700K-6500K		
			WD Warm Dim 3000K-1800K		

FINISH	SUSPENSION	LENGTH
WH White	R Rod	XX" inches Specify in
BK Black	C Cable/Wire	
GD Gold		
RAL Custom RAL		

In an effort to offer the best product possible, we reserve the right to change, without notice, specification or material of the product.

Project:	Type:	Qty:
----------	-------	------

INSTALLATION

