

Sleek Modular Lighting System

Project: _____ Type: _____ Qty: _____



- Various Mounting Options and Sizes
- Pendant, Surface, Recessed and Millwork
- Assortment of Luminaires that lock in place
- Top and Bottom Illuminated
- 48VDC magnetic low voltage
- Vertical and Horizontal Installation
- Curved Options Available
- Shapes and Patterns
- Field Cuttable
- No buzzing or humming
- Dimmable down to 1% (0-10V) and DALI.
- *Premium dimming down to .1% available (inquire with factory).
- Warm dimming and tunable white available (consult factory)

Order Code

ORDER CODE EXAMPLE: LITHE-48V-P2-C-US-AC-B-120"x72"x120"-D10-AC09

SERIES	WATTAGE	MOUNTING	APPLICATION	SHARPE
LITHE	48V 48V	P1 / P2 / P2U / P2UB / P3 / P3U / P3UB R1 / R2 / R3 / R4 S1 / S2	Pendant Recessed Surface	C Ceiling W Wall WC Wall to Ceiling SR Straight Run LS L-Shape US U-Shape <small>Only S2/P2 track can be used for curved sections</small> SS Square / Rectangle CC Circular <small>Only S2/P2 track can be used for curved sections</small> CS Custom Shape <small>Only S2/P2 track can be used for curved sections</small>

CORNER	FINISH	RUN LENGTHS	DIMMING	OPTIONS
Angled Corner AC Standard is 90 Degree corner Radius Corner R# Specify Radius <small>Minimum radius:0.6M/2ft</small>	B Black W White # RAL #	Straight Run (in feet) ___' Shape (in feet) ___' x ___' x ___' x ___' Circle diameter (in feet) ___' <small>Custom shapes- write "custom" Drawings will be required for all custom shapes</small>	D10 0-10V DAL DALI WLS Wireless <small>For individual control of luminaires, use DALI or Wireless control.</small>	<small>High track application, see page 5.</small> Acoustic Felt options Felt Thickness AC12 12mm (Standard) AC06 6mm AC09 9mm <small>Please consult factory for more acoustic solution</small> Felt Colors BI# <small>Refer to Felt color Board for color number</small>

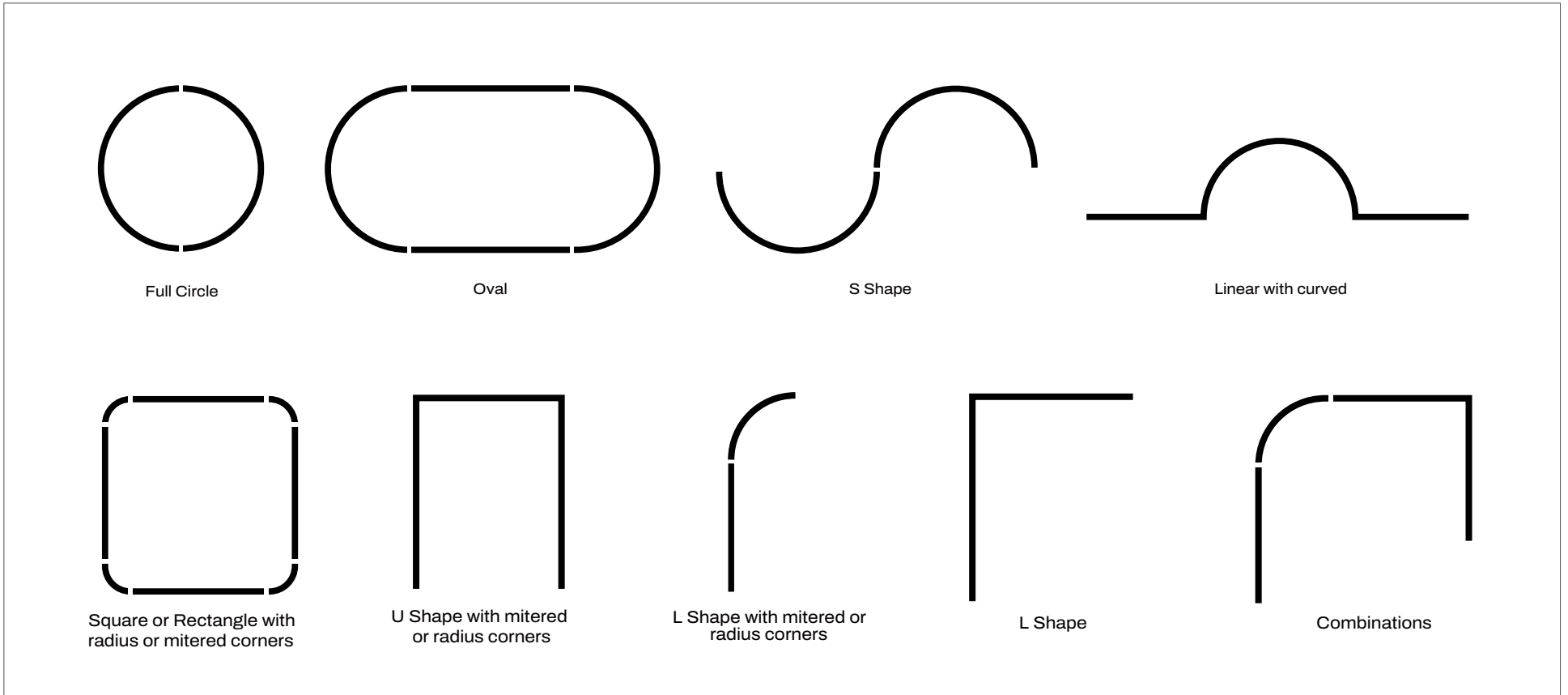
MOUNTING KEY: SEE PG3 FOR DETAILS

P1 - Slim Pendant	R1-Slim recessed
P2 - Tall Pendant	R2-Tall recessed
P2U-Tall w/ Uplight	R3-Slim recessed in Millwork
P2UB - Tall w/ Uplight Batwing distribution	R4-Tall recessed in Millwork
P3 - Top & Bottom Illuminated	S 1 - Slim Surface
	S2 - Tall Surface

Electrical & Control
 Drivers can be remote or ceiling mounted in decorative driver box.
120V and 277V
IP20 / Dry only

Project:	Type:	Qty:
----------	-------	------

Configurations Examples



NOTES:

All necessary accessories and components for installation will be determined and supplied by the factory. Additional cost may apply.

Corner type will be determined by factory based on the design/layout. Corners can power track.

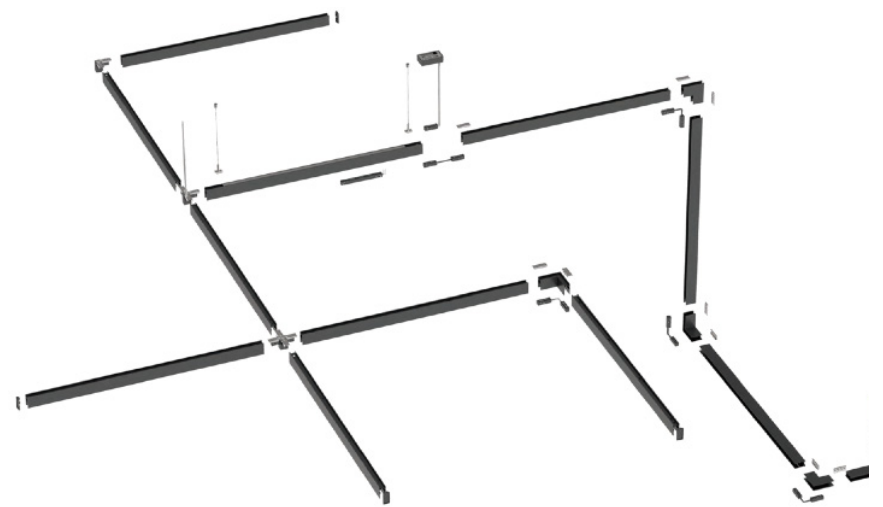
Electrical Contractor to supply wire from driver to track. Drivers should be installed in a driver enclosure box and in an accessible location. Drivers can be located up to 50' away.

The number of drivers needed will be determined by the type of lighting module, wattage and quantity used per run length.

Track is field cuttable. Refer to installation instructions.

Emergency backup can be provided.

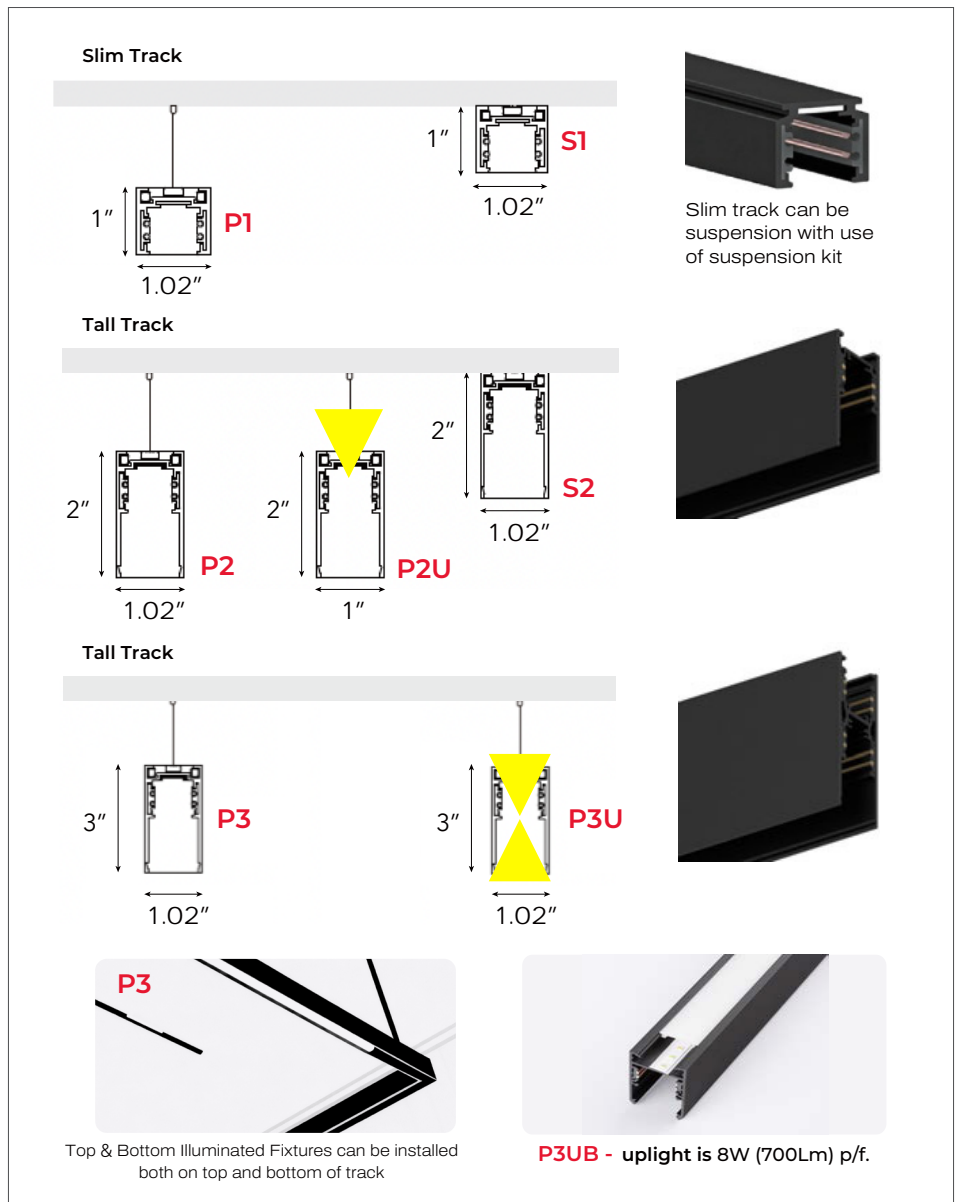
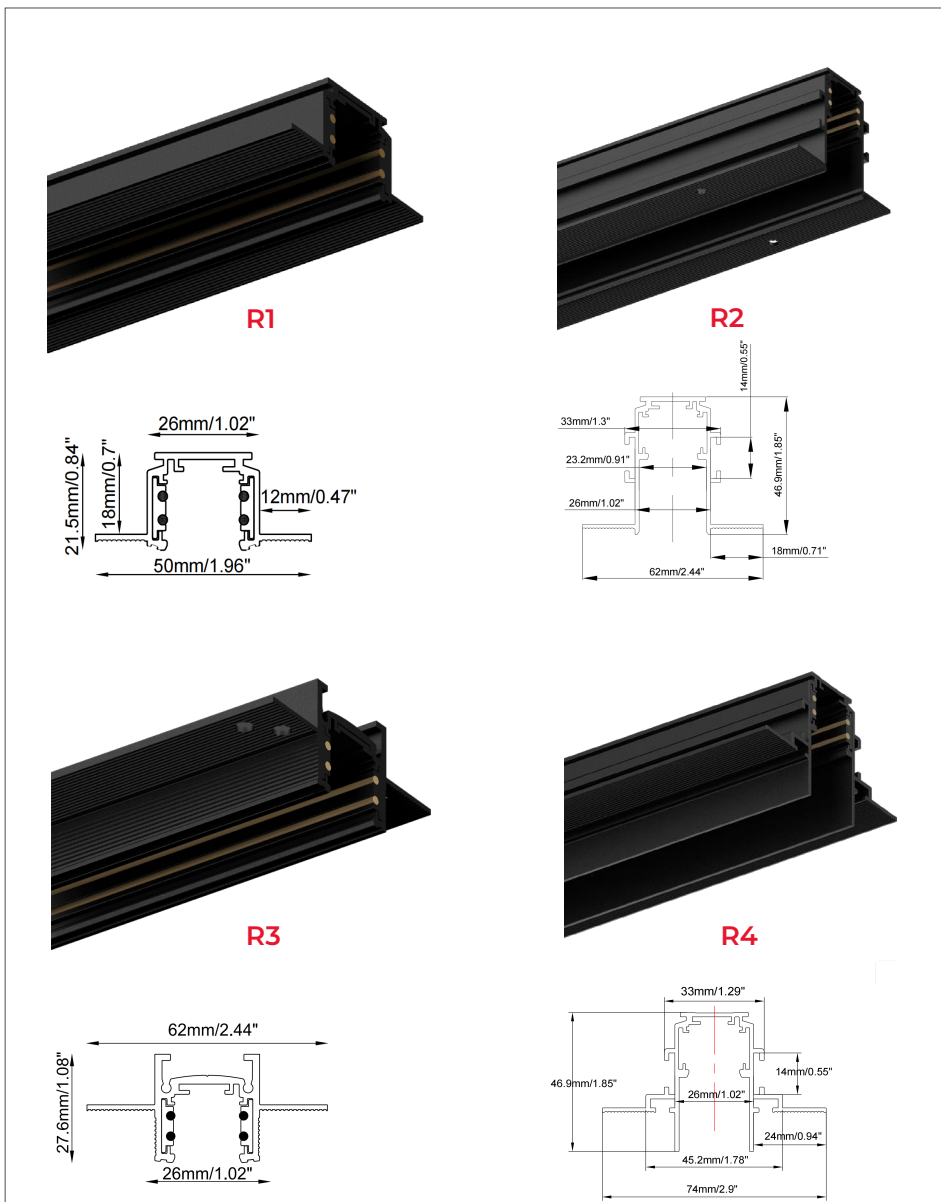
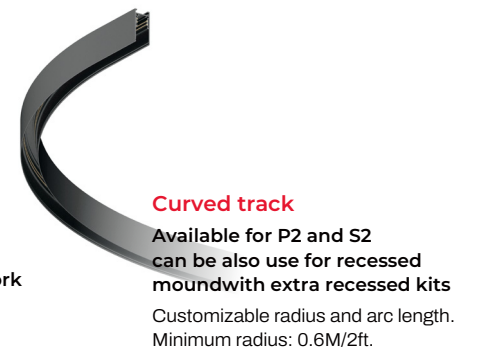
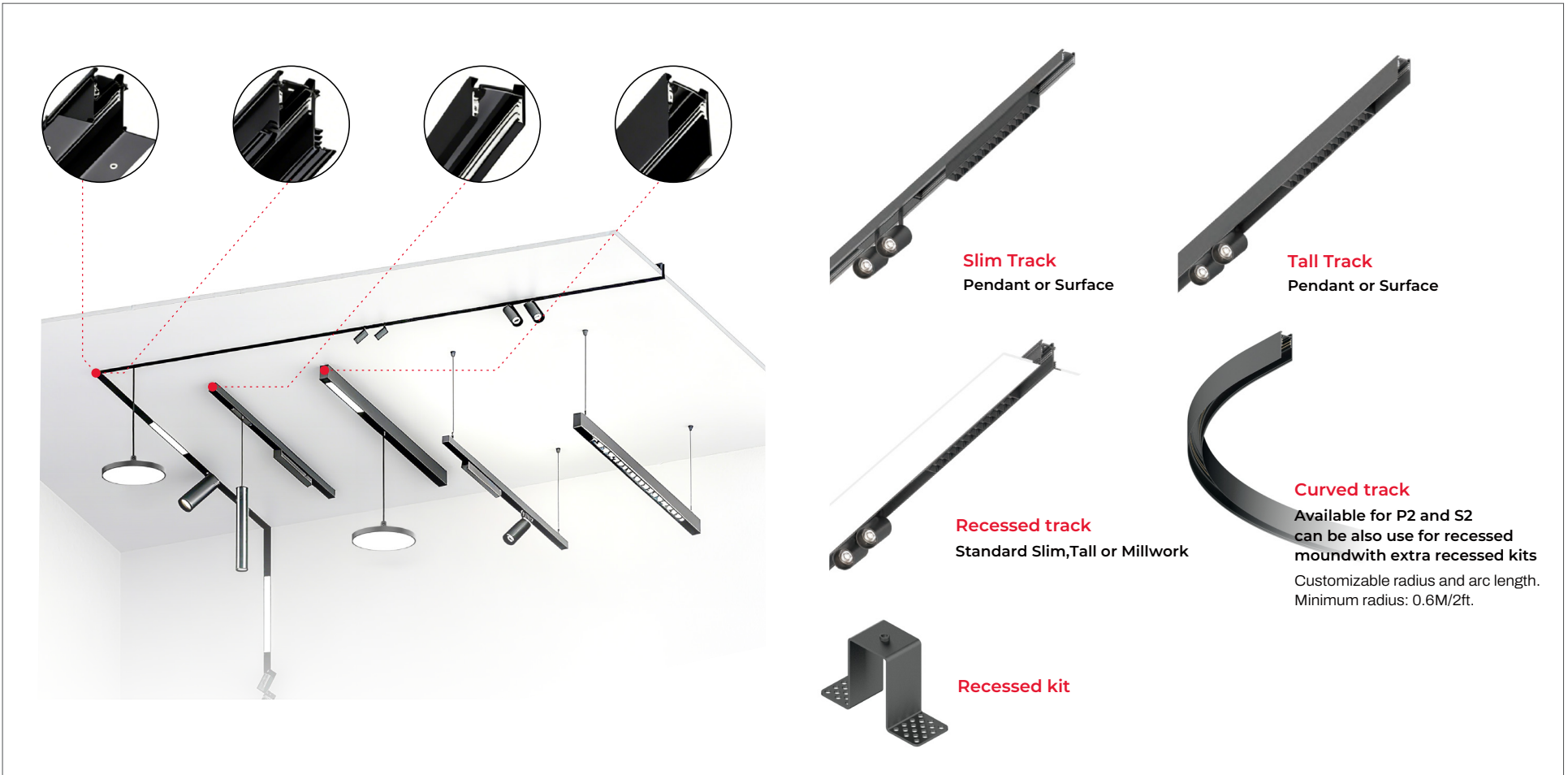
Factory shop drawings will be supplied for all custom and complex designs. Shop drawings will not be supplied for straight runs and simple designs unless requested.



Wall to Ceiling Example Layout

Project: _____ Type: _____ Qty: _____

Mounting



Project:	Type:	Qty:
----------	-------	------

Lighting Modules

See luminaire spec sheet for all available luminaires and details.



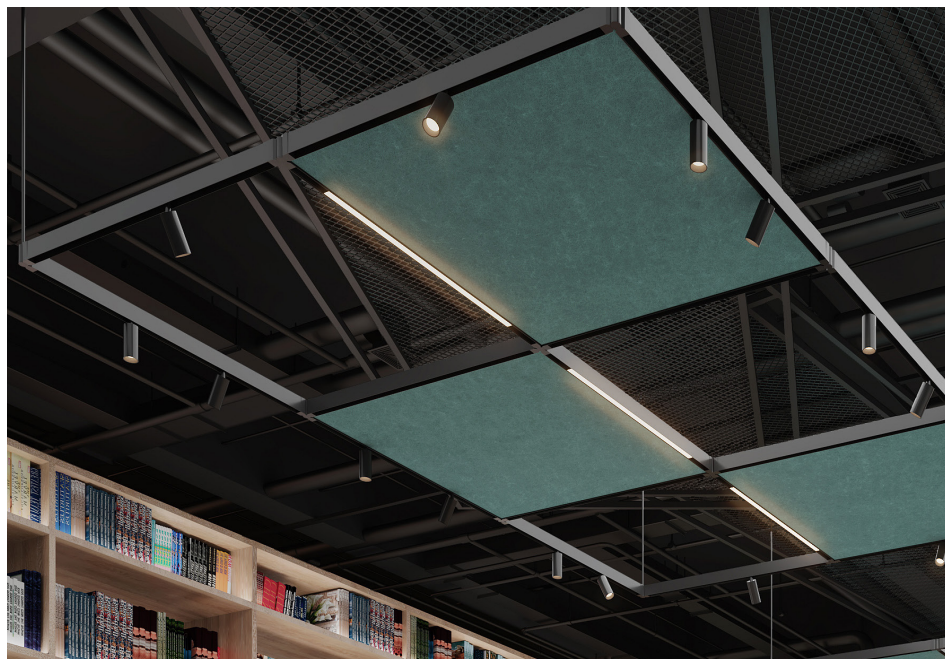
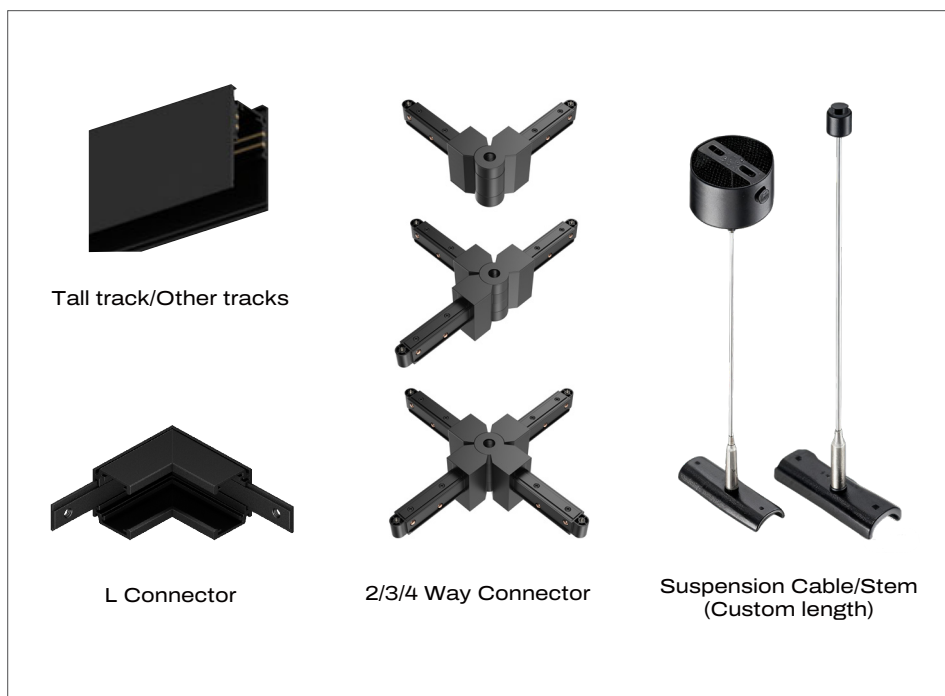
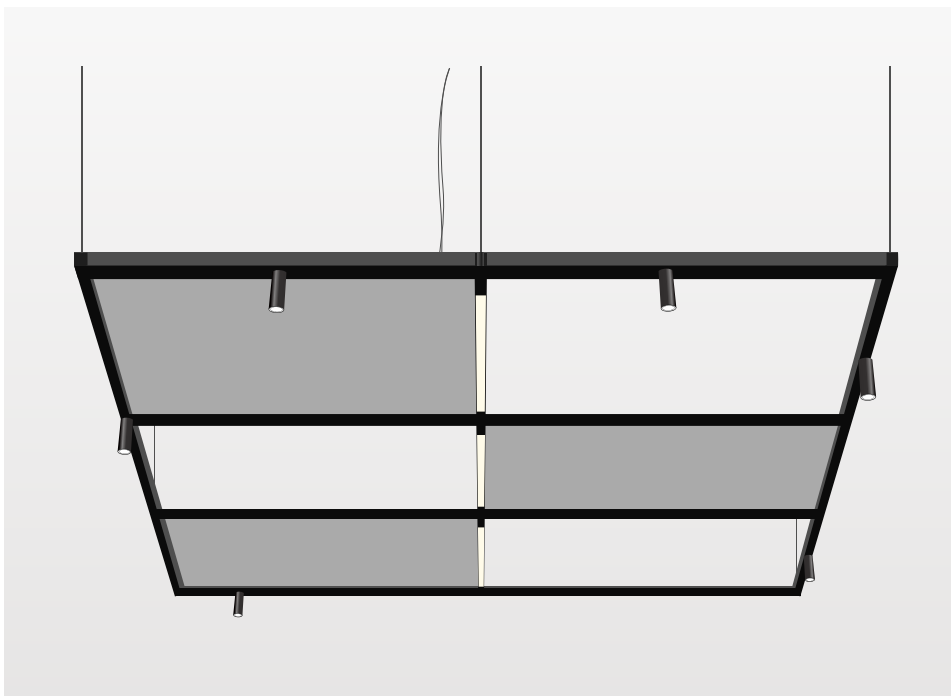
In an effort to offer the best product possible, we reserve the right to change, without notice, specification or material of the product.

Project:

Type:

Qty:

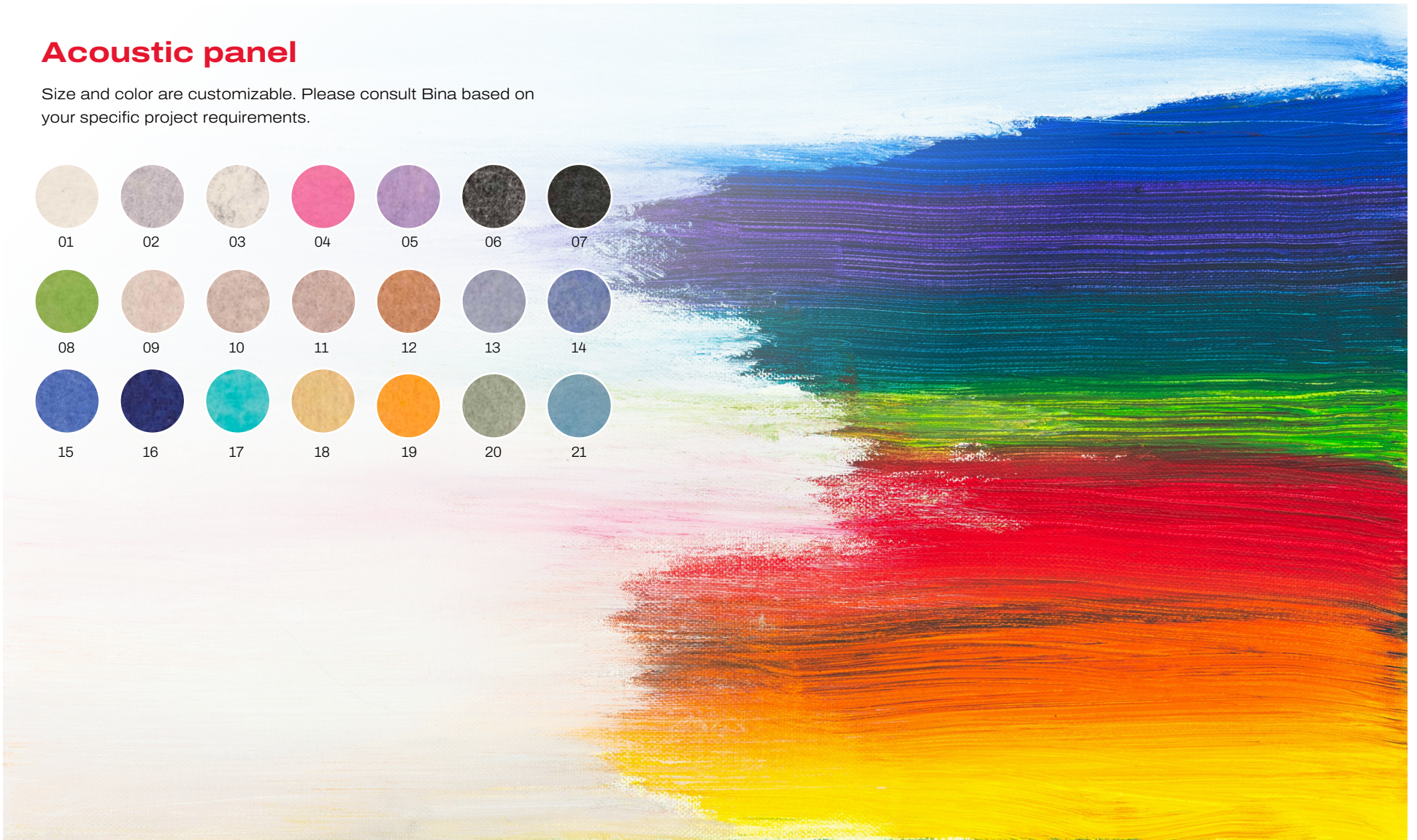
LIGHTING MODULES



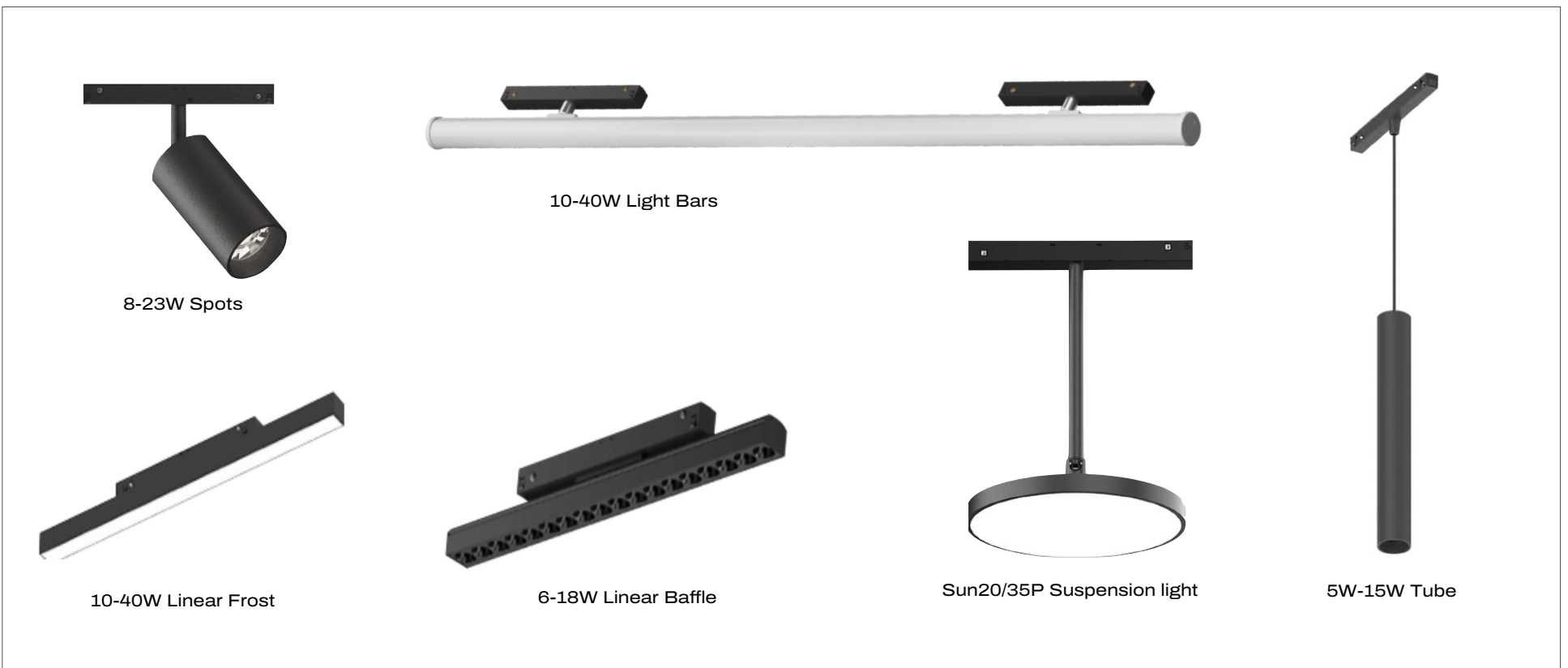
Project:	Type:	Qty:
----------	-------	------

Acoustic panel

Size and color are customizable. Please consult Bina based on your specific project requirements.



Recommended fixture, or you can use any other Lithe fixture.

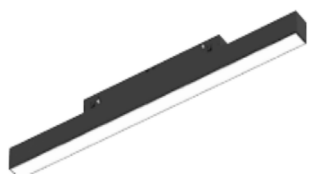


Project:	Type:	Qty:
----------	-------	------

Lighting Modules



Recommended fixture, or you can use any other Lithe fixture.



Project:

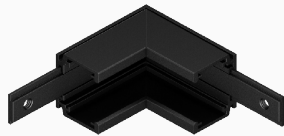
Type:

Qty:

Lighting Modules



Tall track



L Connector



2/3/4 Way Connector

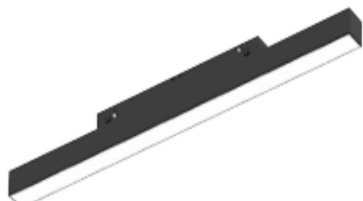


Suspension Cable/Stem
(Custom length)

Recommended fixture, or you can use any other Lithe fixture.



8-23W Spots



10-40W Linear Frost



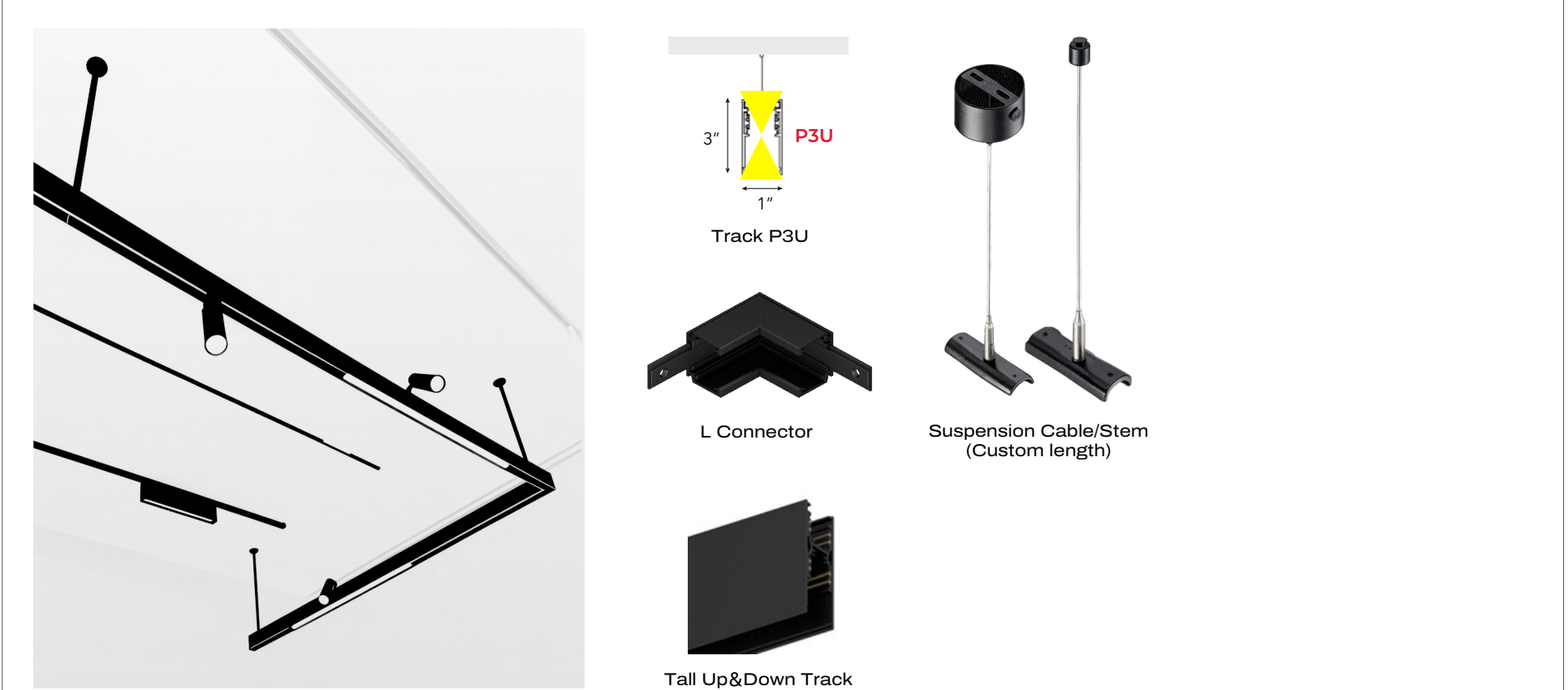
6-18W Linear Baffle



8W/10W/15W
Round and Square Tag Spots

Project:	Type:	Qty:
----------	-------	------

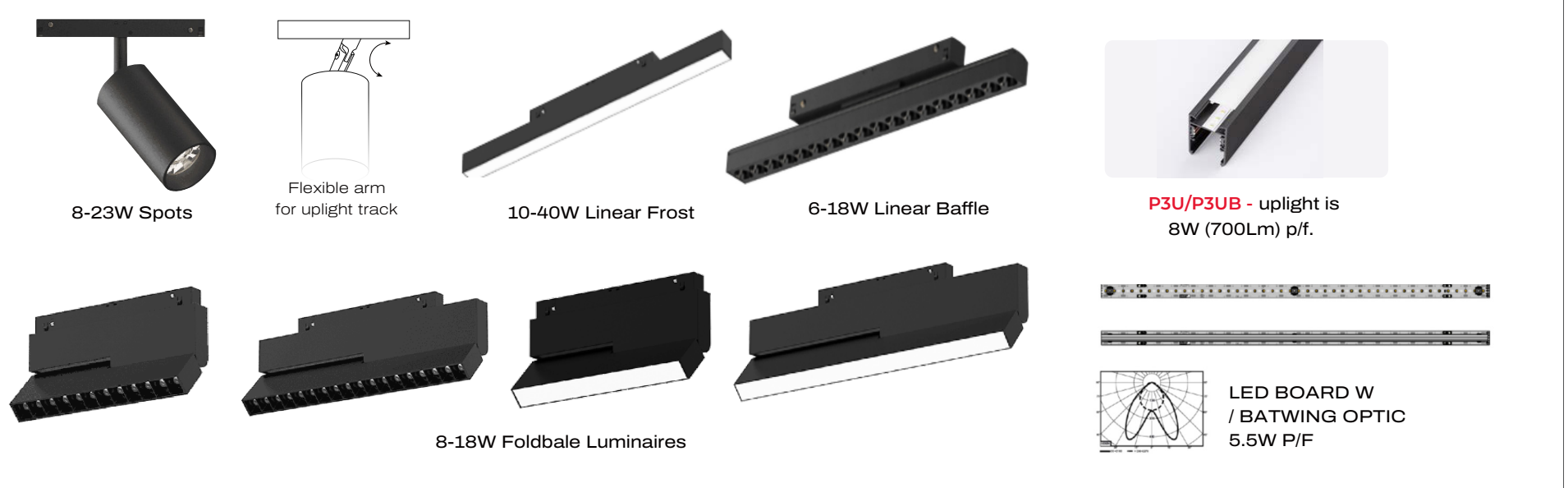
Lighting Modules



Recommended fixture, or you can use any other Lithe fixture.

Spots with Flexible Light Arm

All spots are customizable with Flexible arm. Consult Bina for details

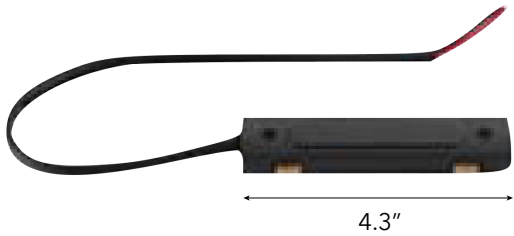


Project:	Type:	Qty:
----------	-------	------

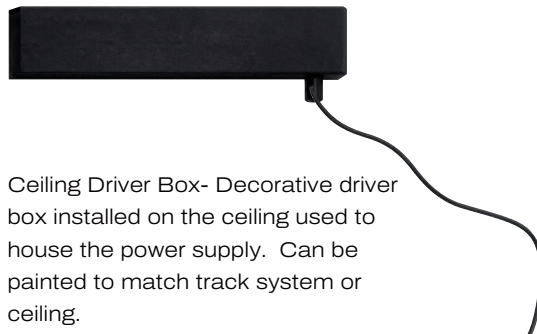
Track Accessories

Power, connectors and conductors

The factory will determine all components necessary for proper installation and operation.



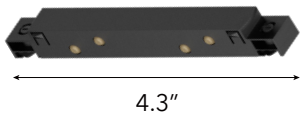
Power Box - Electrical connector used for conductive connection between power supply and track.



Ceiling Driver Box- Decorative driver box installed on the ceiling used to house the power supply. Can be painted to match track system or ceiling.



Suspension Kit- mechanical rail suspension kit A & B. Aircraft cable or Stem available.



Mechanical and Electrical connector used to connect two tracks together.



Corner Connector - mechanical and electrical connector used for conductive connection between two tracks.



I-Connector - mechanical rail connector kit with screws that connects two tracks together.

Power Supply - drivers used for power: **60W - 350W** options



Mechanical Joiners

Joiners shown below are for example only. Size of the joiners will be determined by the type of track profile



2-WAY Connector



3-WAY Connector



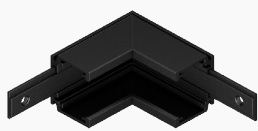
4-WAY Connector

Suitable for R2, S2, P2 high tracks



Vertical Corner

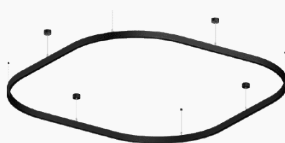
Corner Connectors



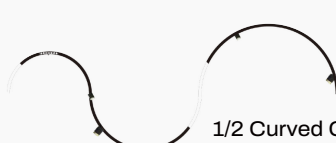
The corners of each track are unique, we provide the required corners for your order by default. Contact Bina for specific corner details or dimensions.



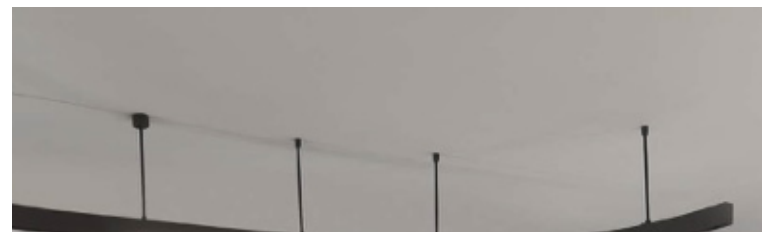
Examples of curved sections used to create circular shapes



1/4 Curved Corner

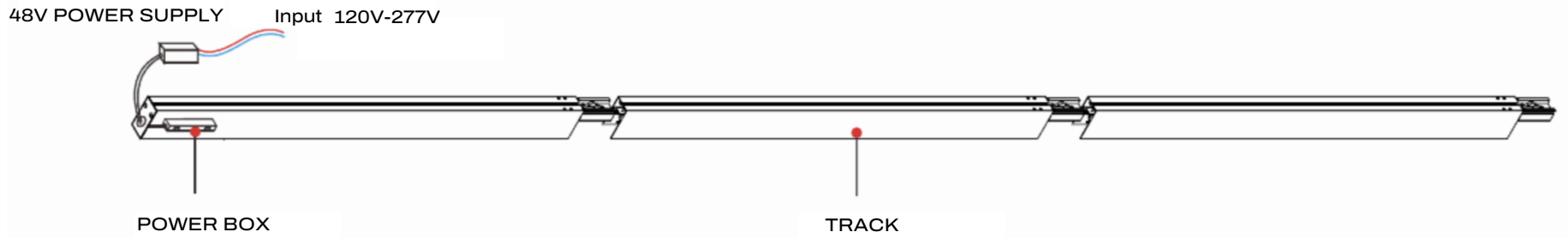


1/2 Curved Corner

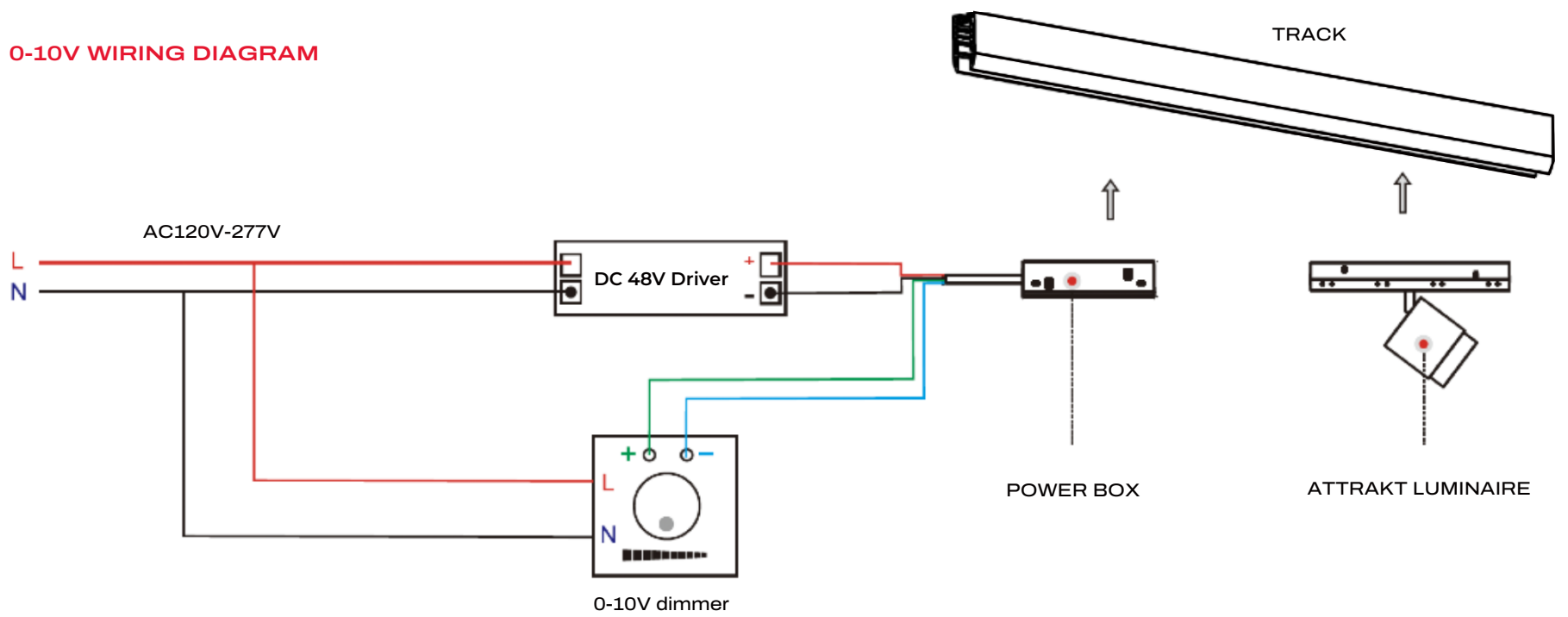


Project:	Type:	Qty:
----------	-------	------

Wiring Diagrams



0-10V WIRING DIAGRAM



DALI WIRING DIAGRAM

