

## Sleek Modular Lighting System

Project: \_\_\_\_\_ Type: \_\_\_\_\_ Qty: \_\_\_\_\_



- Various Mounting Options and Sizes
- Pendant, Surface, Recessed and Millwork
- Assortment of Luminaires that lock in place
- Top and Bottom Illuminated
- 48VDC magnetic low voltage
- Vertical and Horizontal Installation
- Curved Options Available
- Shapes and Patterns
- Field Cuttable
- No buzzing or humming
- Dimmable down to 1% (0-10V) and DALI.
- \*Premium dimming down to .1% available (inquire with factory).
- Warm dimming and tunable white available (consult factory)

### Order Code

ORDER CODE EXAMPLE: LITHE-48V-P2-C-US-AC-2C-B-120"x72"x120"

| SERIES | WATTAGE | MOUNTING   | MOUNTING                       | SHARPE   |
|--------|---------|--|--------------------------------|--|
| LITHE  | 48V 48V | P1 / P2 / P2U / P2UB / P3 / P3U / P3UB<br>R1 / R2 / R3 / R4<br>S1 / S2 | Pendant<br>Recessed<br>Surface | <b>C</b> Ceiling<br><b>W</b> Wall<br><b>WC</b> Wall to Ceiling<br><b>SR</b> Straight Run<br><b>LS</b> L-Shape<br><b>US</b> U-Shape<br><b>SS</b> Square / Rectangle<br><b>CC</b> Circular<br><b>CS</b> Custom Shape |

| CORNER  | FINISH   | RUN LENGTHS   | DIMMING   | OPTIONS  |
|---|--|---|---|--|
| <b>Angled Corner</b> AC Standard is 90 degree corner<br><b>Radius Corner</b> R# Specify Radius<br>Minimum radius:0.6M/2ft | <b>B</b> Black<br><b>W</b> White<br><b>#</b> RAL # | <b>Straight Run (in feet)</b> ___'<br><b>Shape (in feet)</b> ___' x ___' x ___' x ___'<br><b>Circle diameter (in feet)</b> ___'<br>Custom shapes- write "custom"<br>Drawings will be required for all custom shapes | <b>D10</b> 0-10V<br><b>DAL</b> DALI<br><b>WLS</b> Wireless<br>For individual control of luminaires, use DALI or Wireless control. | High track application, see page 5.<br><b>Acoustic Felt options</b><br>Felt Thickness<br><b>AC12</b> 12mm (Standard)<br><b>ACO6</b> 6mm<br><b>AC09</b> 9mm<br>Please consult factory for more acoustic solution<br>Felt Colors<br><b>BI#</b><br>Refer to Felt color Board for color number |

### MOUNTING KEY: SEE PG3 FOR DETAILS

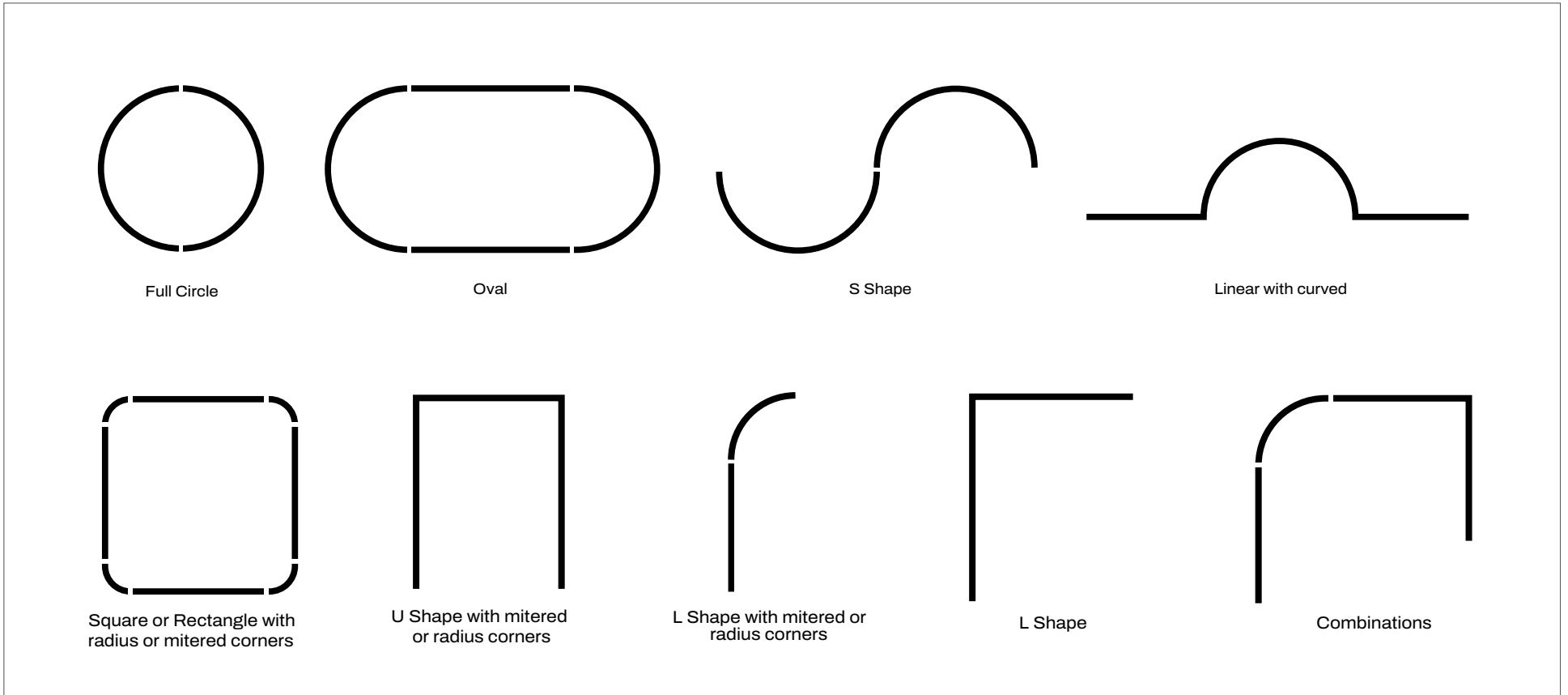
|   |                              |
|---|------------------------------|
| P1 - Slim Pendant                           | R1-Slim recessed             |
| P2 - Tall Pendant                           | R2-Tall recessed             |
| P2U-Tall w/ Uplight                         | R3-Slim recessed in Millwork |
| P2UB - Tall w/ Uplight Batwing distribution | R4-Tall recessed in Millwork |
| P3 - Top & Bottom Illuminated               | S 1 - Slim Surface           |
|   | S2 - Tall Surface            |

### Electrical & Control

Drivers can be remote or ceiling mounted in decorative driver box.

**120V and 277V**  
**IP20 / Dry only**

## Configurations Examples



### NOTES:

All necessary accessories and components for installation will be determined and supplied by the factory. Additional cost may apply.

Corner type will be determined by factory based on the design/layout. Corners can power track.

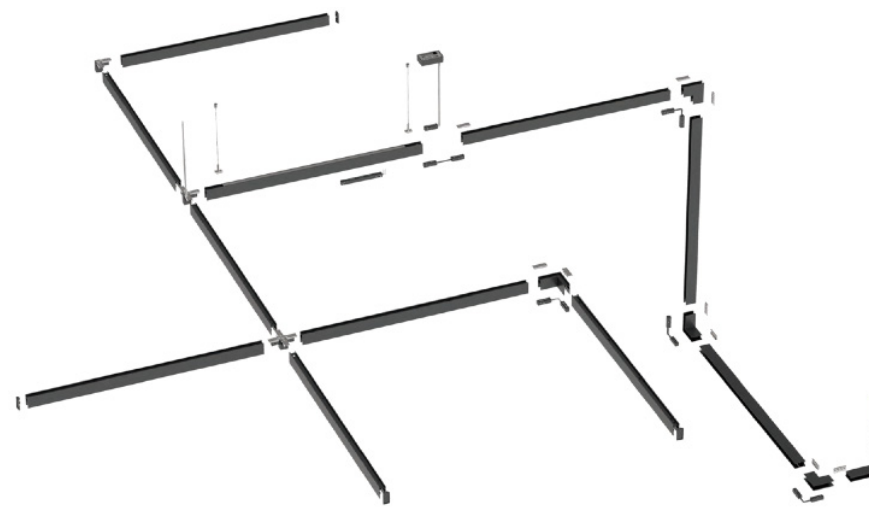
Electrical Contractor to supply wire from driver to track. Drivers should be installed in a driver enclosure box and in an accessible location. Drivers can be located up to 50' away.

The number of drivers needed will be determined by the type of lighting module, wattage and quantity used per run length.

Track is field cuttable. Refer to installation instructions.

Emergency backup can be provided.

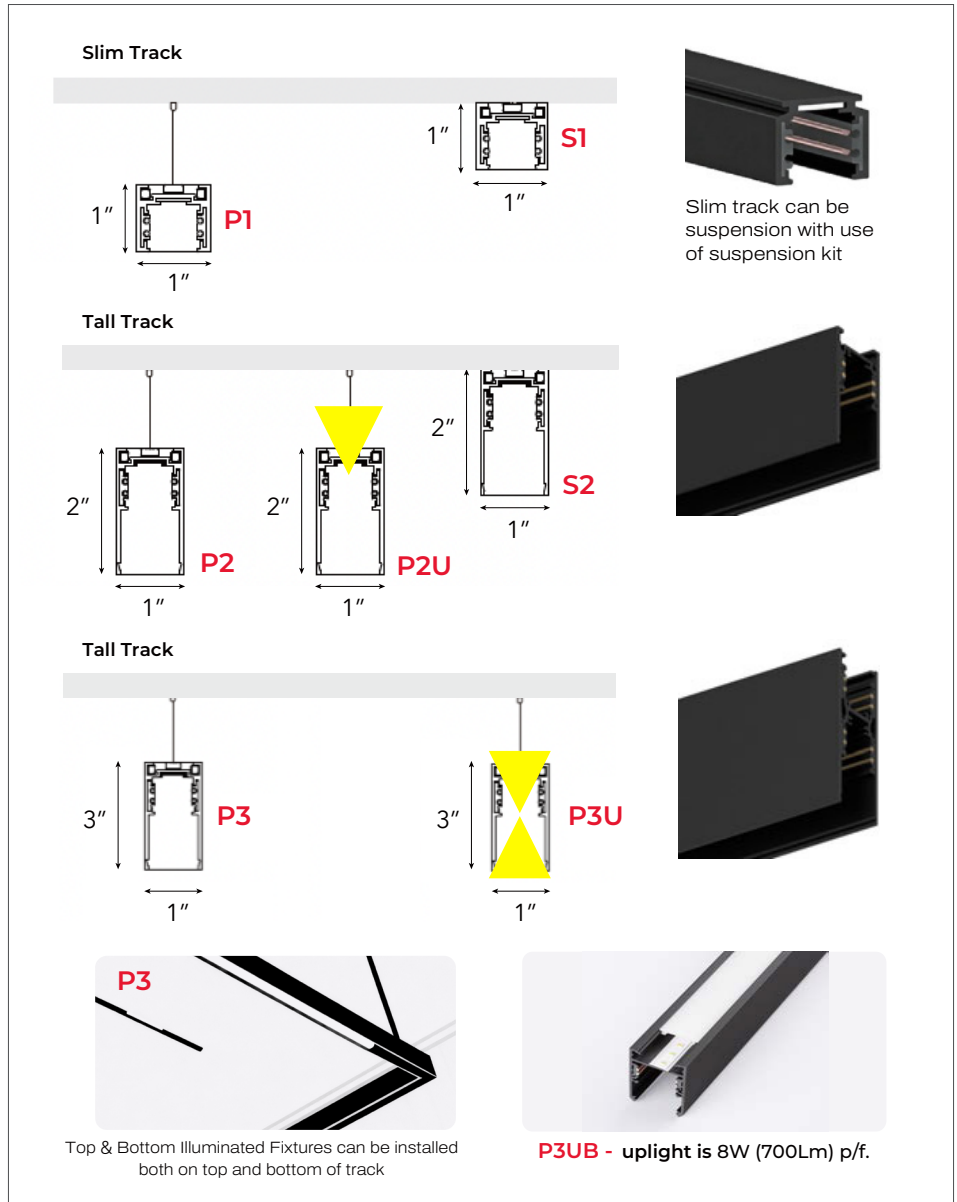
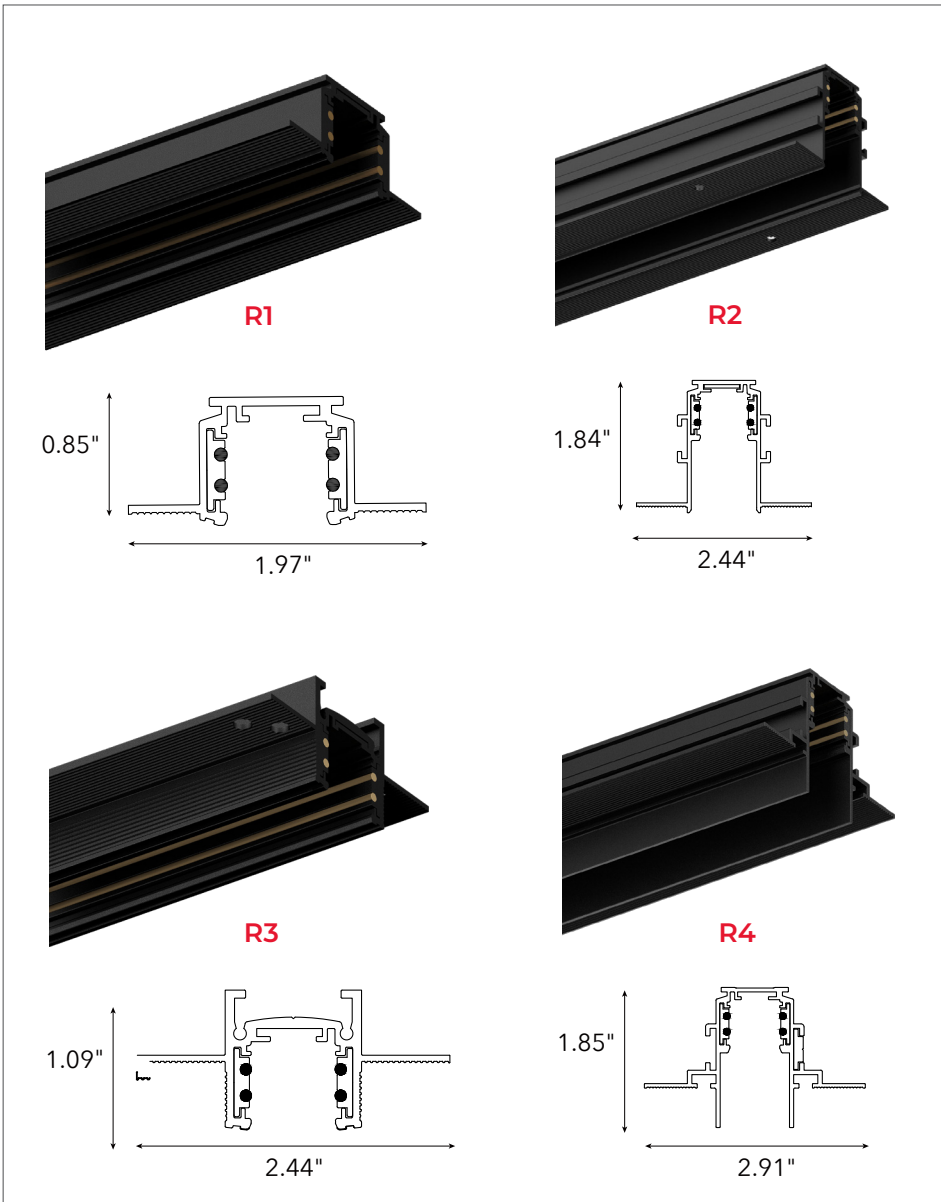
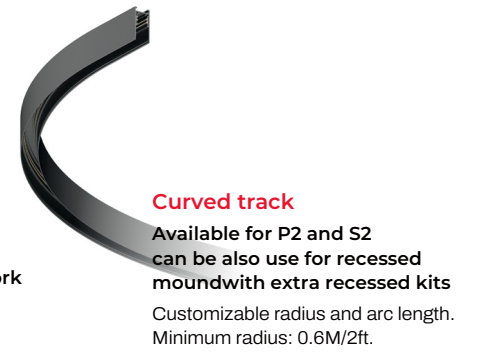
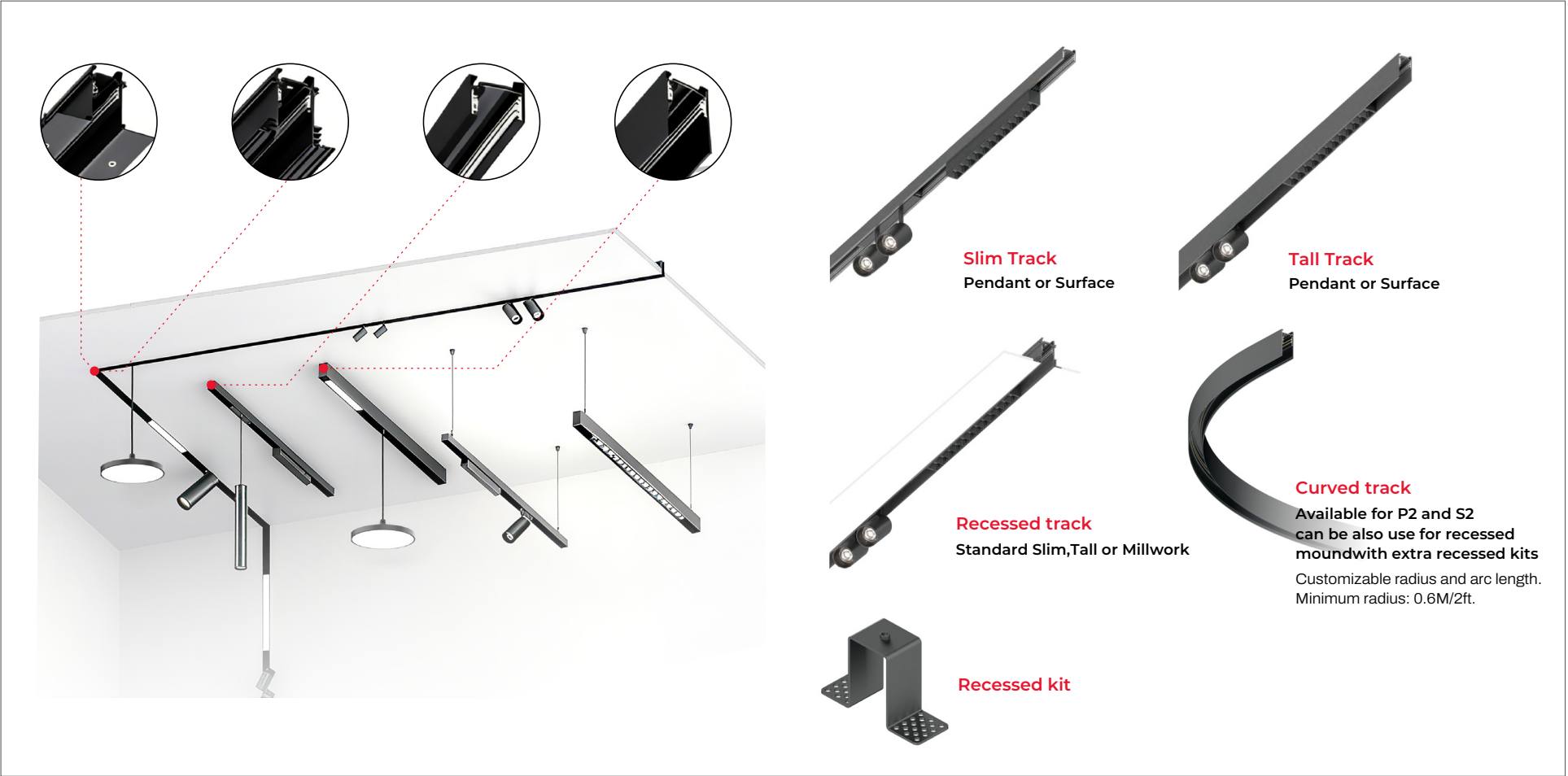
Factory shop drawings will be supplied for all custom and complex designs. Shop drawings will not be supplied for straight runs and simple designs unless requested.



Wall to Ceiling Example Layout

Project: \_\_\_\_\_ Type: \_\_\_\_\_ Qty: \_\_\_\_\_

## Mounting



|          |       |      |
|----------|-------|------|
| Project: | Type: | Qty: |
|----------|-------|------|

## Lighting Modules

See luminaire spec sheet for all available luminaires and details.



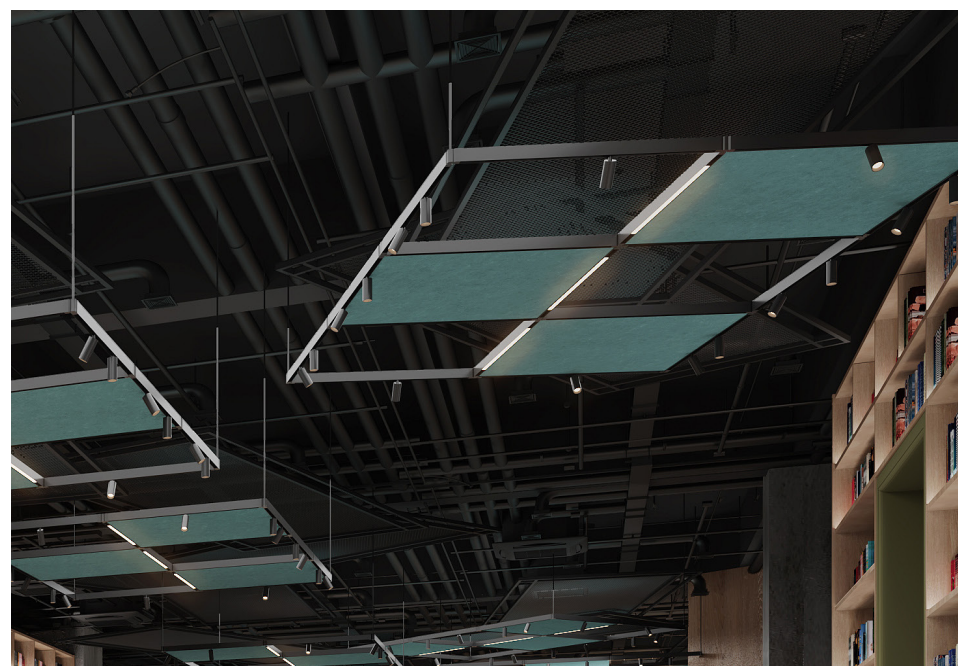
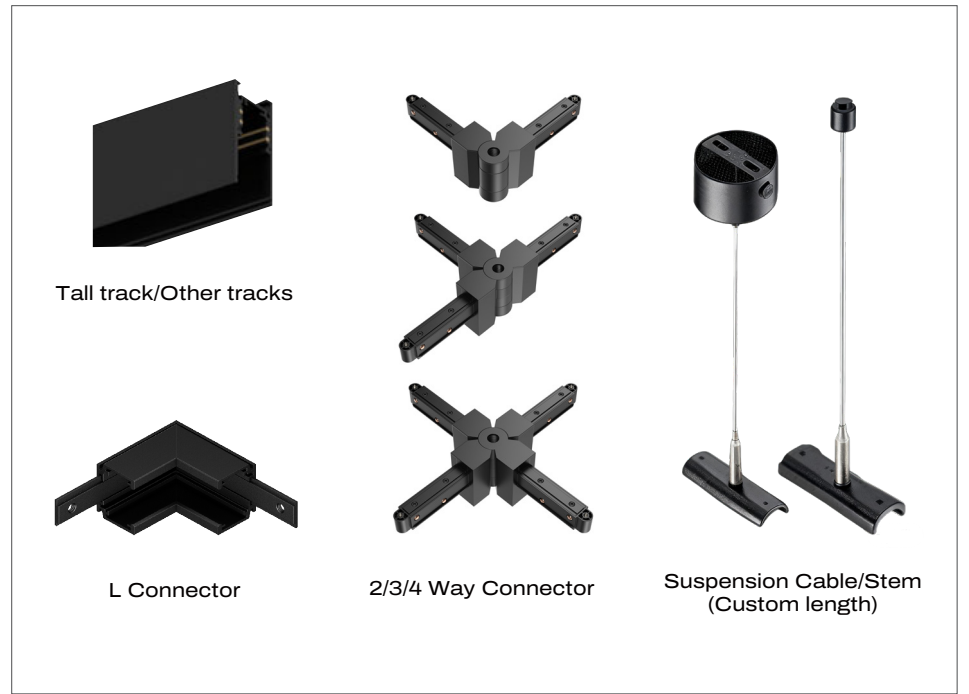
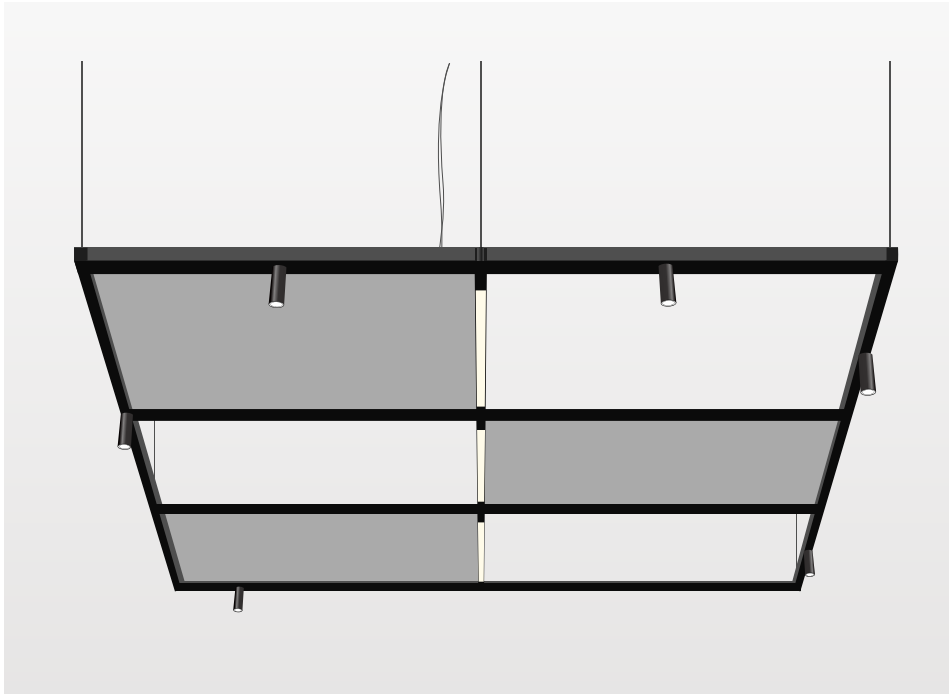
In an effort to offer the best product possible, we reserve the right to change, without notice, specification or material of the product.

Project:

Type:

Qty:

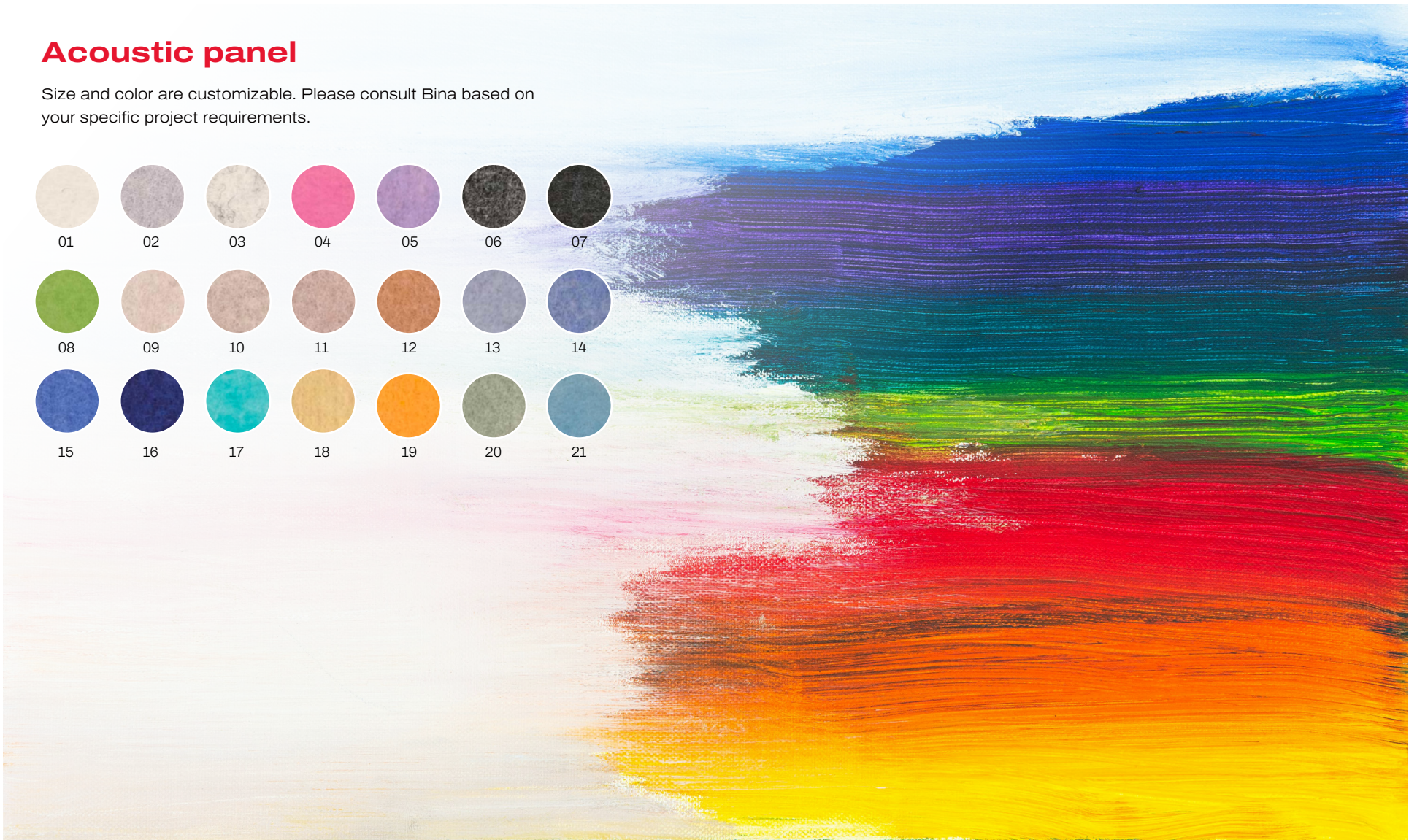
## LIGHTING MODULES



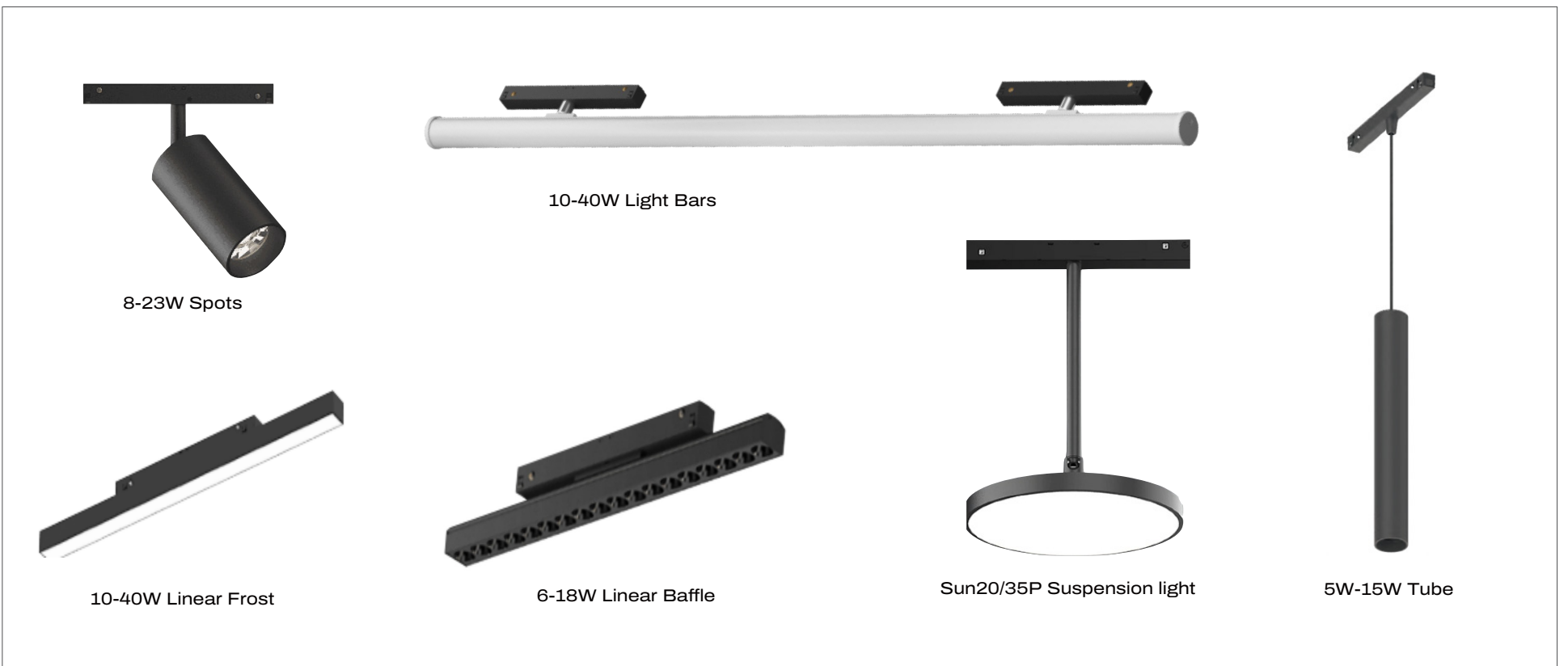
|          |       |      |
|----------|-------|------|
| Project: | Type: | Qty: |
|----------|-------|------|

## Acoustic panel

Size and color are customizable. Please consult Bina based on your specific project requirements.



Recommended fixture, or you can use any other Lithe fixture.

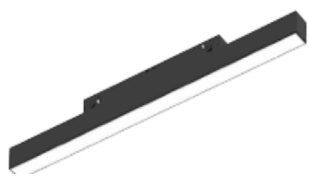


|          |       |      |
|----------|-------|------|
| Project: | Type: | Qty: |
|----------|-------|------|

## Lighting Modules

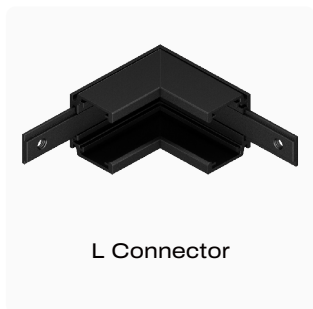
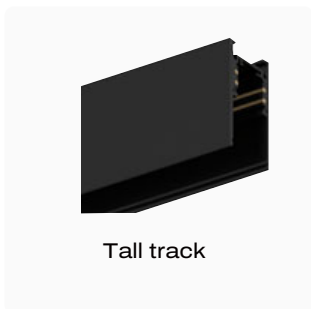


Recommended fixture, or you can use any other Lithe fixture.

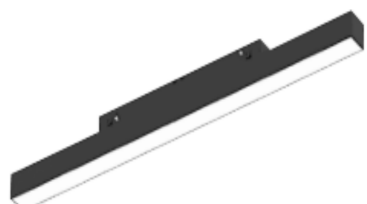


|          |       |      |
|----------|-------|------|
| Project: | Type: | Qty: |
|----------|-------|------|

## Lighting Modules



Recommended fixture, or you can use any other Lithe fixture.



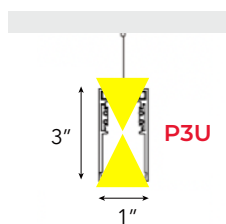


Project:

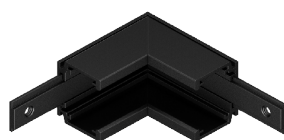
Type:

Qty:

## Lighting Modules



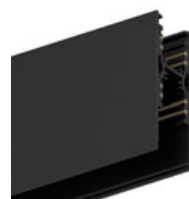
Track P3U



L Connector



Suspension Cable/Stem  
(Custom length)



Tall Up&Down Track

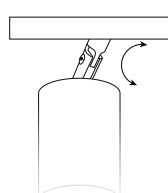
Recommended fixture, or you can use any other Lithe fixture.

### Spots with Flexible Light Arm

All spots are customizable with Flexible arm. Consult Bina for details



8-23W Spots



Flexible arm  
for upright track



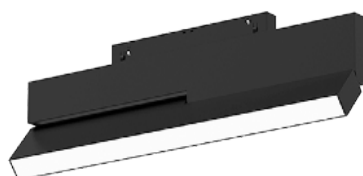
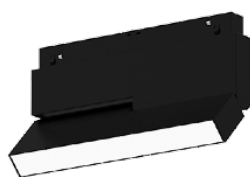
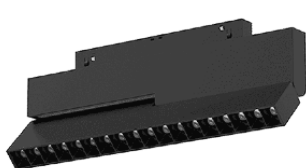
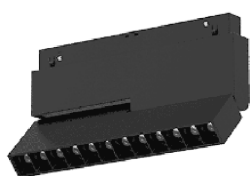
10-40W Linear Frost



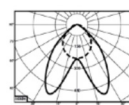
6-18W Linear Baffle



P3U/P3UB - uplight is  
8W (700Lm) p/f.



8-18W Foldbale Luminaires



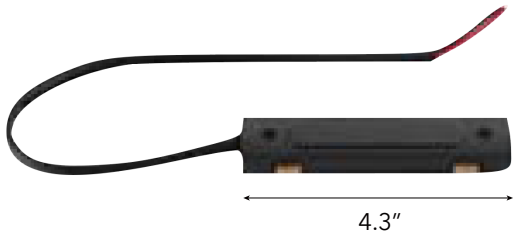
LED BOARD W  
/ BATWING OPTIC  
5.5W P/F

|          |       |      |
|----------|-------|------|
| Project: | Type: | Qty: |
|----------|-------|------|

## Track Accessories

### Power, connectors and conductors

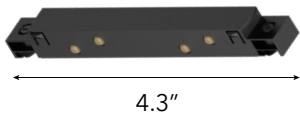
The factory will determine all components necessary for proper installation and operation.



Power Box - Electrical connector used for conductive connection between power supply and track.

Ceiling Driver Box- Decorative driver box installed on the ceiling used to house the power supply. Can be painted to match track system or ceiling.

Suspension Kit- mechanical rail suspension kit A & B. Aircraft cable or Stem available.



Mechanical and Electrical connector used to connect two tracks together.



Corner Connector - mechanical and electrical connector used for conductive connection between two tracks.

I-Connector - mechanical rail connector kit with screws that connects two tracks together.



Power Supply - drivers used for power: **60W - 350W** options



## Mechanical Joiners

Joiners shown below are for example only. Size of the joiners will be determined by the type of track profile



2-WAY Connector



3-WAY Connector



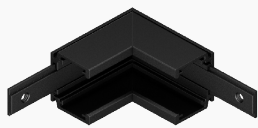
4-WAY Connector

Suitable for R2, S2, P2 high tracks



Vertical Corner

### Corner Connectors



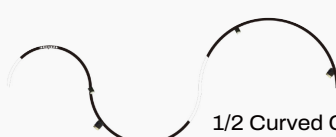
The corners of each track are unique, we provide the required corners for your order by default. Contact Bina for specific corner details or dimensions.



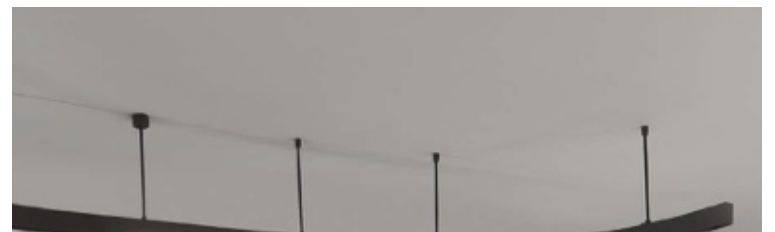
### Examples of curved sections used to create circular shapes



1/4 Curved Corner

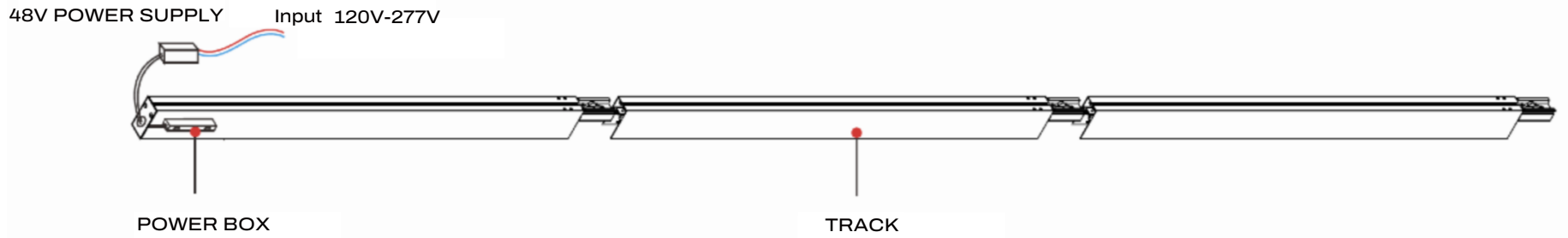


1/2 Curved Corner

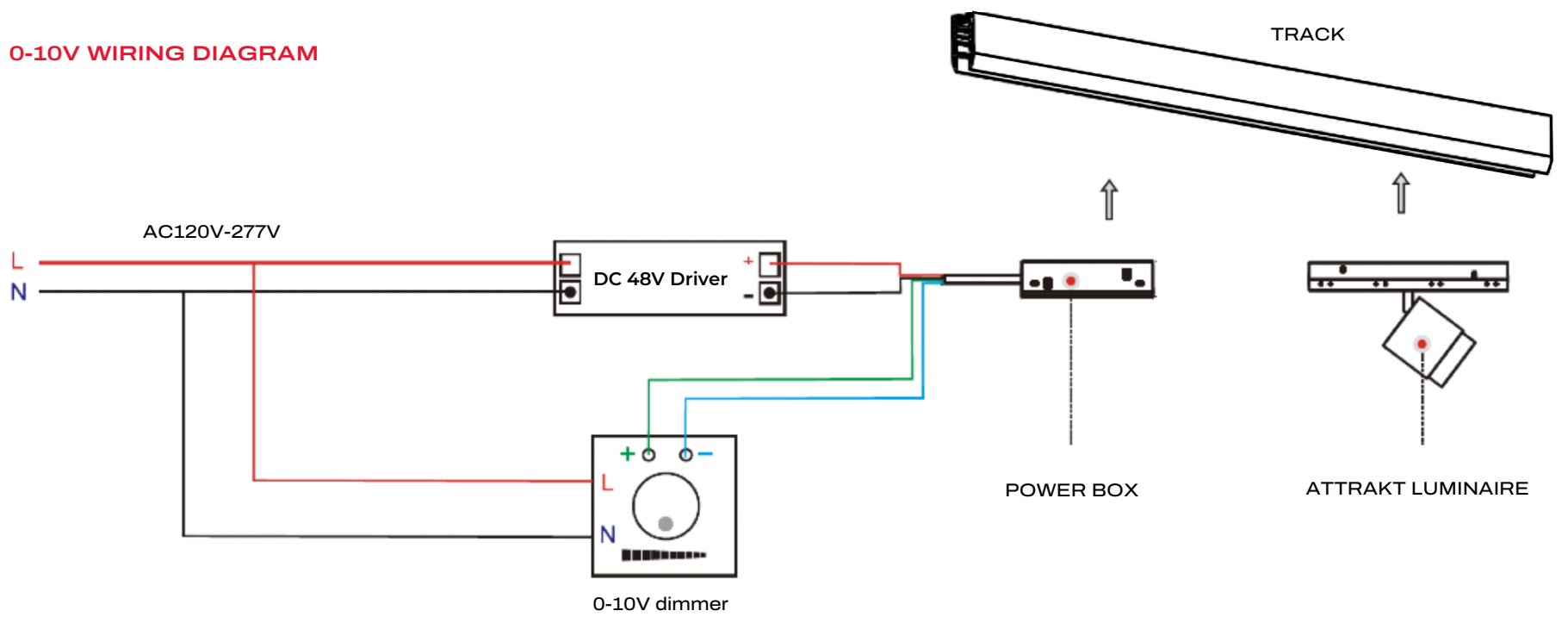


|          |       |      |
|----------|-------|------|
| Project: | Type: | Qty: |
|----------|-------|------|

## Wiring Diagrams



### 0-10V WIRING DIAGRAM



### DALI WIRING DIAGRAM

