

# A-Cylinder Snoot

Project: Type: Qty:



Available in multiple sizes and wattages (10-30W)



Surface and pendant mounting options available for both interior and exterior IP65



High luminous efficacy up to 110 lm/W



Available in round or square shape.



Anti-glare design with low UGR <19 even for high output series. Low output has UGR <10 and shielding angle of 25 degree. High output has UGR <17 and shielding angle of 40 degree.

## SPECIFICATIONS

3-Step Color Binning Standard / 2-Step Color Binning Available



### Finishes



### Reflectors



Input Voltage	100-277V AC
Wattage	10-30W
Delivered Lumens	900-2550lm
Efficacy (LPW)	85+Lm/W
CCT	27K, 30K, 35K, 40K
CRI	>90Ra
Beam Angle	15°, 24°, 36°
UGR	<19
Dimming	Phase & 0-10v (100%-5%)
Lamp Life	50,000Hr
Environment	Dry/Damp IP40, WET IP65
Operating Temp	-4° F - 131° F

## Order Code

ORDER CODE EXAMPLE: A-CYL-SNT-RD-15W-30K-15D-BK-B-SF-FRC-AC##-65-EM10-D10

SERIES	SHAPE	WATTAGE	CCT	BEAM ANGLE	FINISH	
					Reflector	Shell
A-CYL-SNT	RD Round	10W 850LM	27K 2700K	15D 15 Degree 24D 24 Degree 36D 36 Degree	WH - White BK - Black	W - White B - Black S - Silver RAL#
	SQ Square	15W 1275LM	30K 3000K			
	RA Round w/Adjustable Snoot	20W 1700LM	35K 3500K			
	SA Square w/Adjustable Snoot	30W 2550LM Only available in round shape	40K 4000K			
			TW Tunable White 2700K-6500K			
			WD Warm Dim 3000K-1800K			

Custom wattages available

INSTALLATION TYPE	CANOPY TYPE	SUSPENSION	IP RATING	EMERGENCY BACKUP	DIMMING
	For Pendant Mount Option	For Pendant Mount Option			
PD Pendant Mount SF Surface Mount WL Wall Mount ASC Adjustable Stem Surface ARC Adjustable Stem Recessed	SDC Standard Deep Canopy FRC Flat Round Canopy MRC Mini Round Canopy SWV Swivel Stem Canopy	Leave blank if surface mounted AC## Cord/AC Cable RS## Rigid Stem ##=inches	— Leave blank if "dry or damp location (IP44)" 65 IP65	EM06 <sup>4</sup> - 6W/90 mins EM10 <sup>5</sup> - 10W/90 mins	D10 - 0-10V ELV - ELV/Phase



Wall Mount Available (see specsheet).

Up / Down options

IP20 & IP66 options

<sup>1</sup>Adjustable swivel stem for sloped ceiling

<sup>2</sup>Ceiling slant angle will need to be specified

<sup>3</sup>Specify the number of conduit feeds (1-4)

<sup>4</sup>internal EMBB/cylinder body will be min 6" in width regardless of wattage

<sup>5</sup>EM10 is remote only

# A-Cylinder

## Snoot

Project: Type: Qty:



### DIMENSION DRAWING

10W	15W	20W/30W	10W	15W	20W

The length of the stem and the wire can be customized.

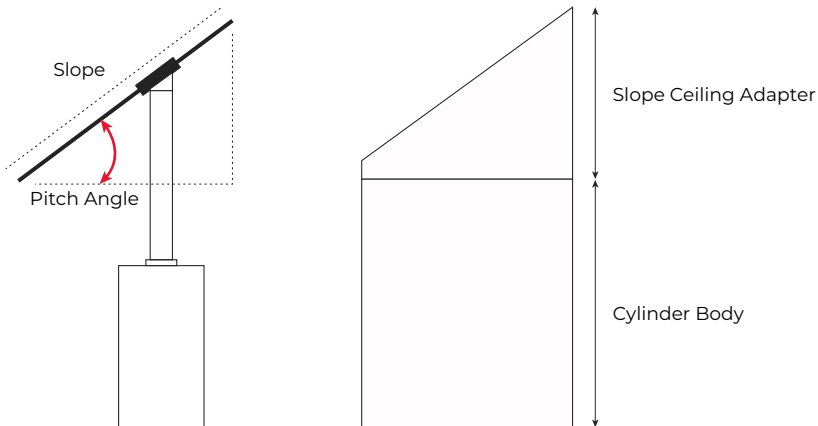
POWER CORD	STEM	
PVC Cabel	Stem	Swivel stem <sup>1</sup> Max 45° tilt
Power cord length (*): Standard 59" Custom length available upon request	Stem length: Min 24" and 35" <sup>1</sup> Custom lengths available upon request	

Cylinder body is the same size for pendant mount.  
Standard cable length - 5'  
Cable length can be customized or stem mounted for additional cost.

# A-Cylinder Snoot

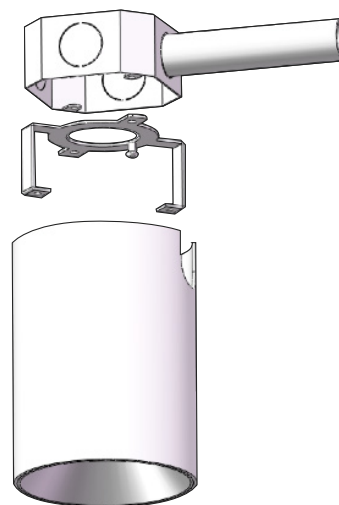
Project:	Type:	Qty:
----------	-------	------

## SLOPED CEILING



Slope ceiling adapter will be determined by the ceiling pitch angle. Adapter works with all cylinder sizes.

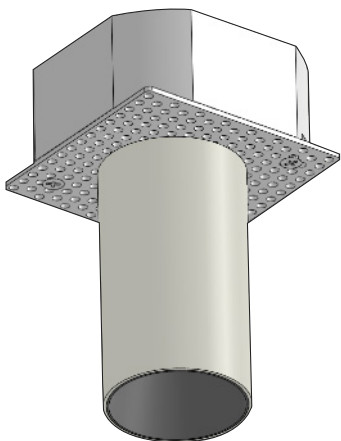
## CONDUIT FEED



Min 4.25" width

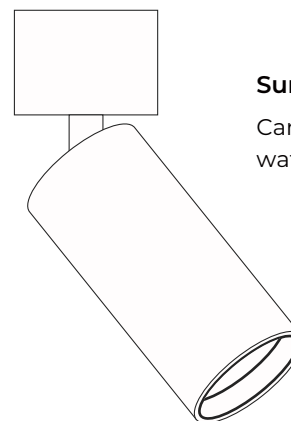
Conduit feed cylinder will fit over any standard 4" octagonal Jbox. Works with all cylinder wattages and sizes. 6W-20W cylinder will have a minimum body width of 4.25" . Can work with up to 4 conduit feeds.

## LMR (trimless mud-ring)<sup>6</sup>



Trimless option is for cylinders that have a width of less than 4" and below.

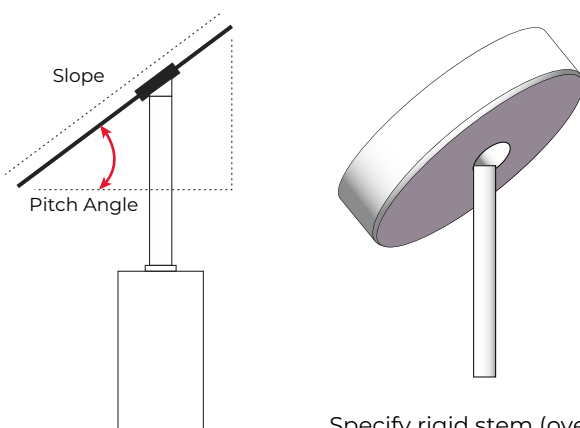
## ADJUSTABLE STEM MOUNTING OPTIONS



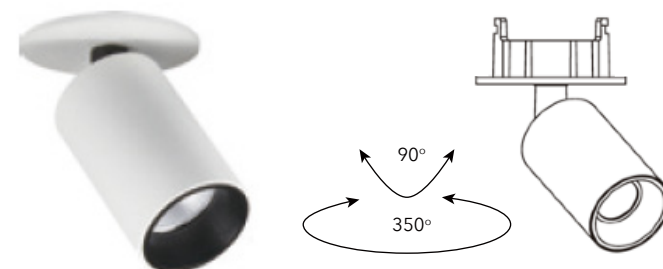
### Surface-mounted version

Can be provided with IP54 rating and supports all wattages.

## SWIVEL STEM CANOPY



Specify rigid stem (overall) length.



### Recessed version

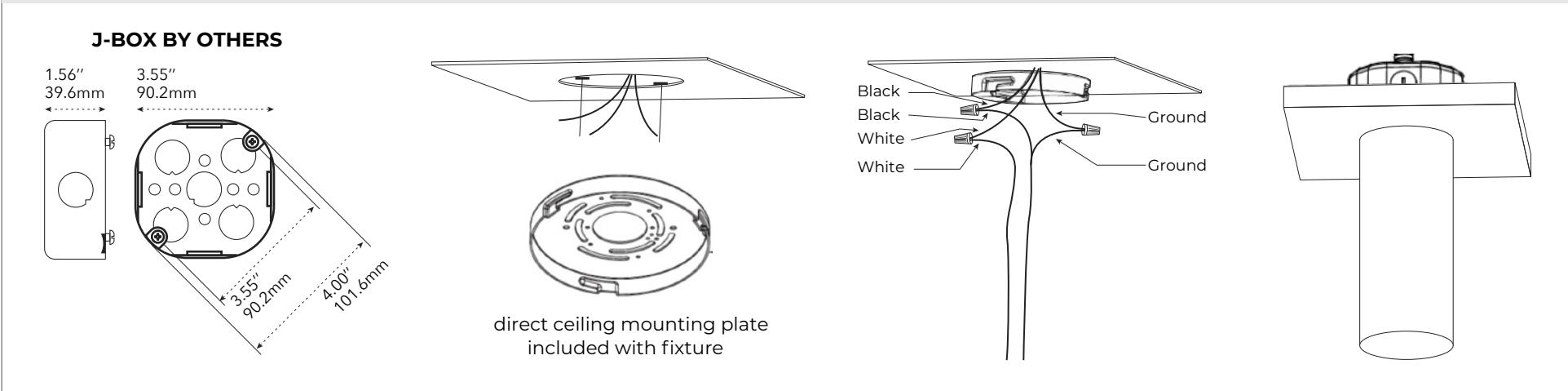
Comes with a new construction mounting tray and a driver housed in an enclosure box Available for cylinders up to 40W.

<sup>6</sup>to be used with cylinders that have diameter less than 4"

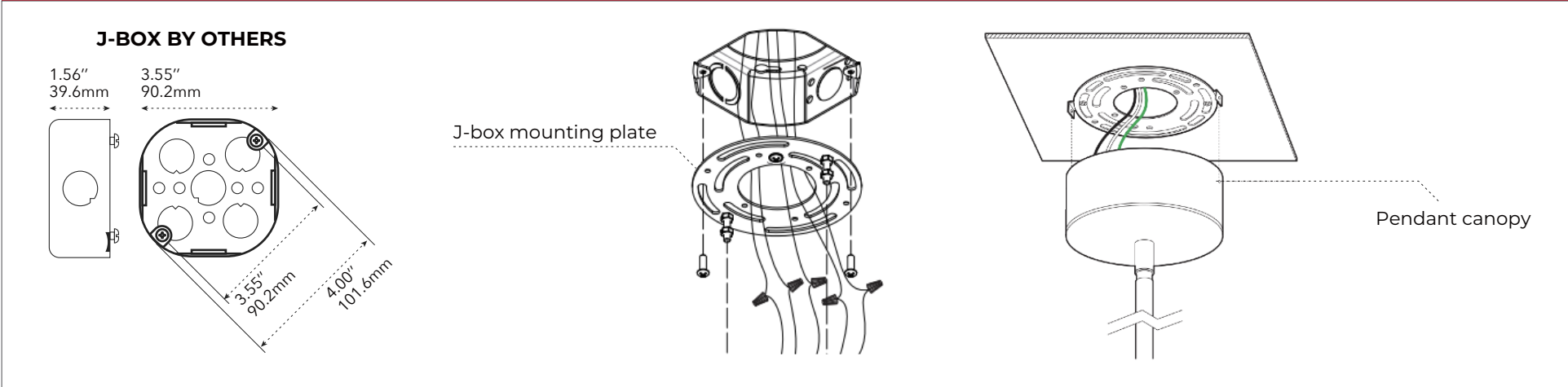
### MOUNTING OPTIONS

#### JBA -JBOX ADAPTER<sup>7</sup>

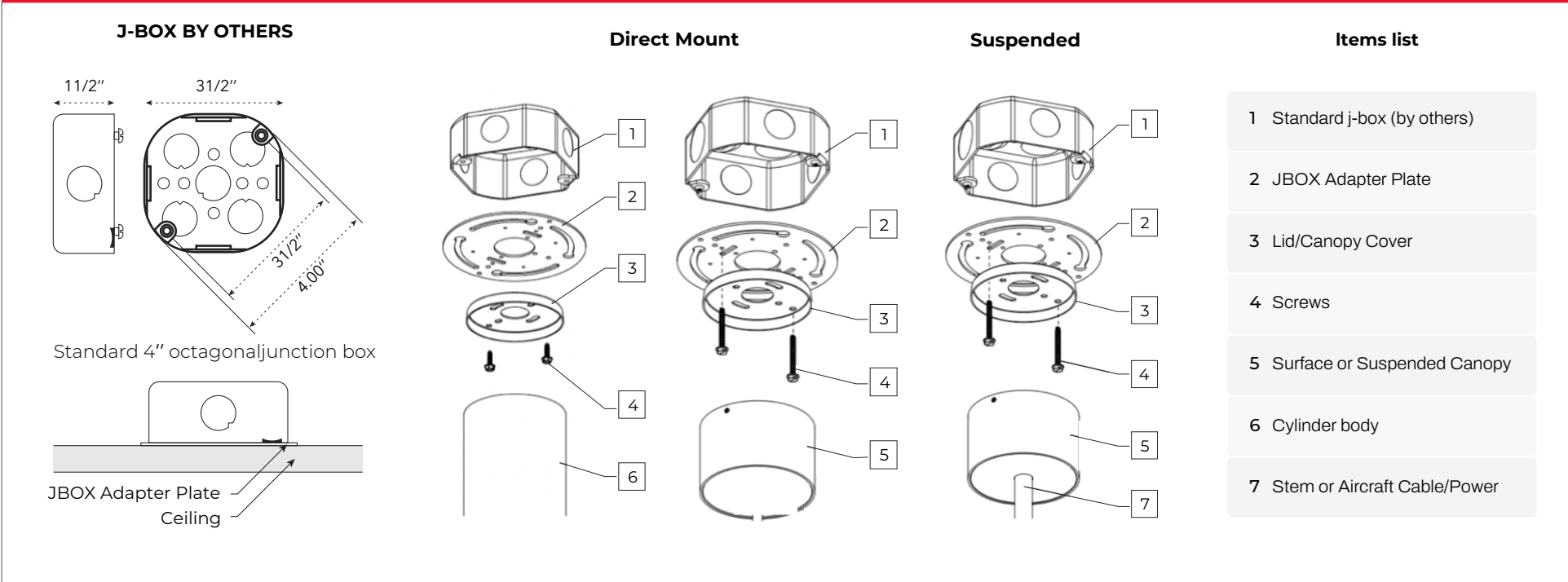
Direct ceiling mount with integral mounting plate and driver



#### PENDANT MOUNT



#### (JBA) JBOX ADAPTER INSTALLATION DIAGRAM

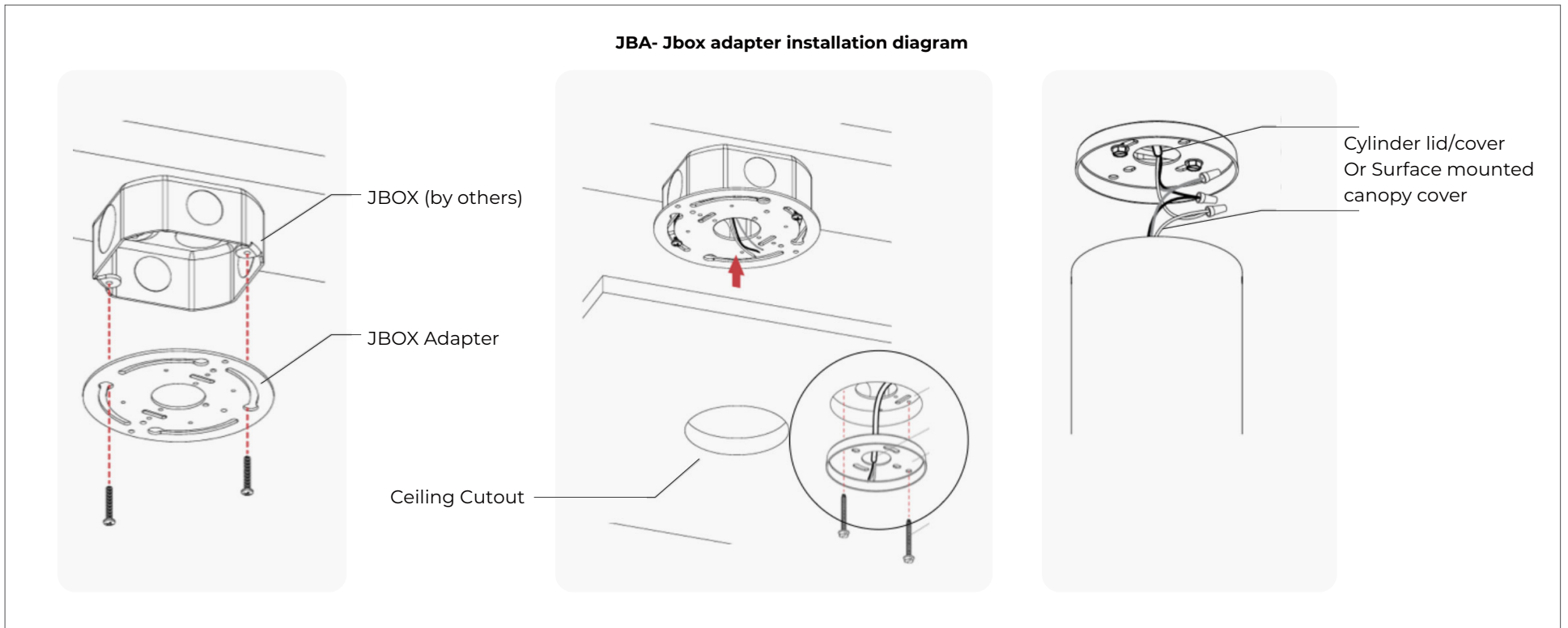


<sup>7</sup>to be used with cylinders that have a diameter less than 4". Must be installed on the jbox prior to the drywall ceiling going up.

# A-Cylinder

## Snoot

Project: \_\_\_\_\_ Type: \_\_\_\_\_ Qty: \_\_\_\_\_



To be used with cylinders or canopies that are smaller than the jbox opening

INTEGRAL DRIVER				
Order code	<b>FRC</b> Flat round canopy, 4" octagonal junction box	<b>CDR</b> Conduit feed, round canopy	<b>DMNC</b> Direct mount, new construction	<b>DR</b> Deep round canopy
Canopy type	 Driver	 Driver	 Driver	 Driver(s)