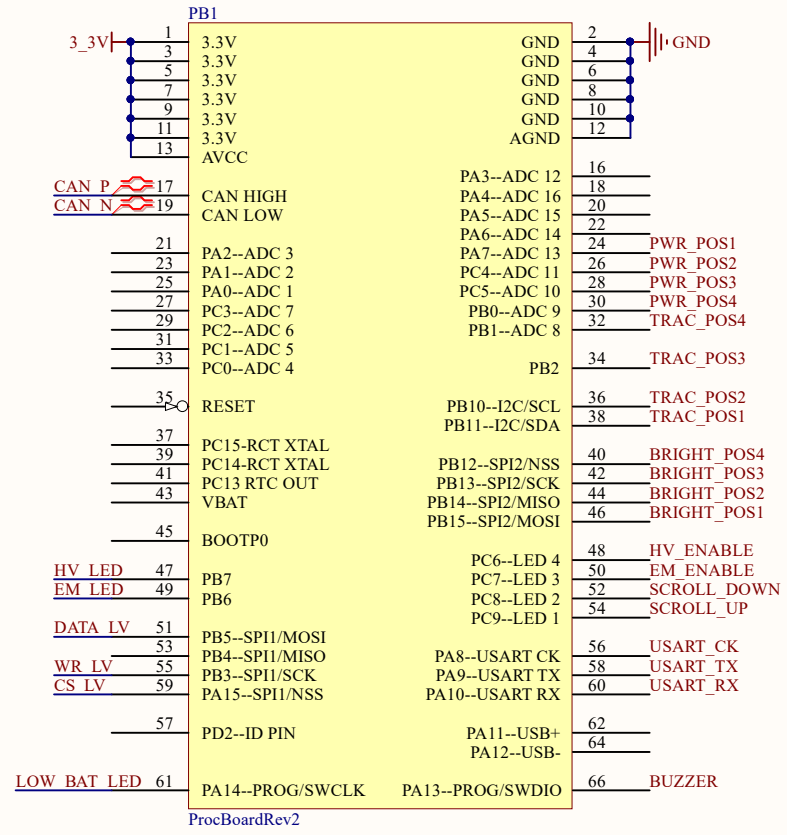
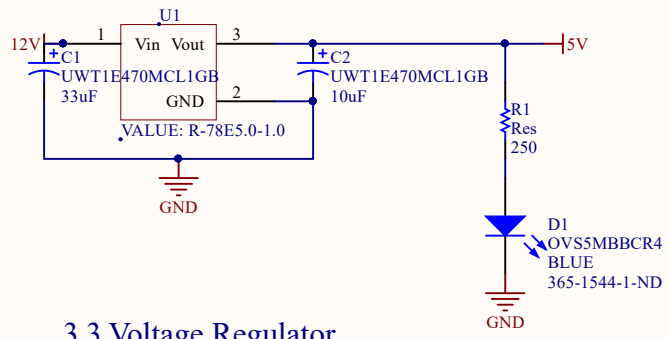


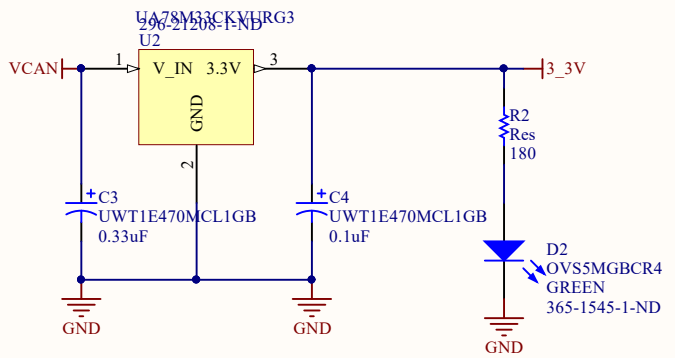
## Processor Board



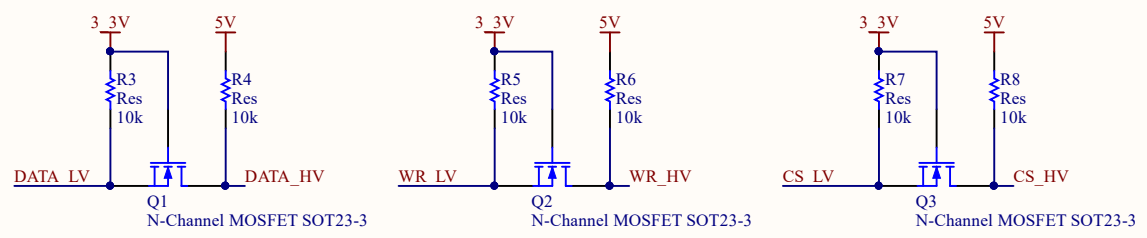
### 5V Voltage Regulator



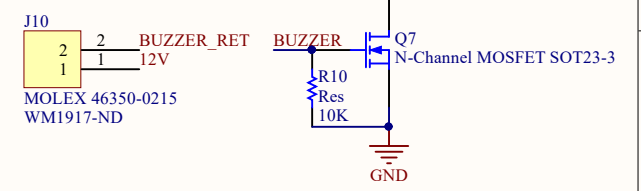
### 3.3 Voltage Regulator



### Level Shift for Screen

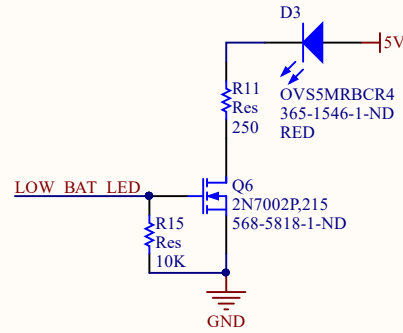
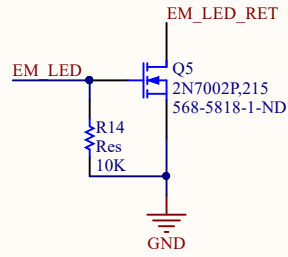
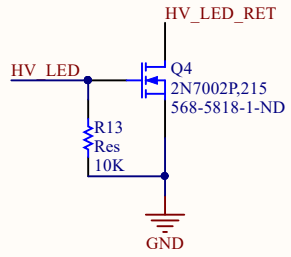


### BUZZER

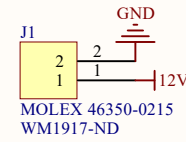


Title <b>DCU</b>		
Size A4	Number E16-02-001	Revision
Date: 2016-02-20	Sheet of	
File: C:\Users\...\E16-02-001.SchDoc	Drawn By: <b>RISHAB SAREEN, PAVEL SHERING</b>	

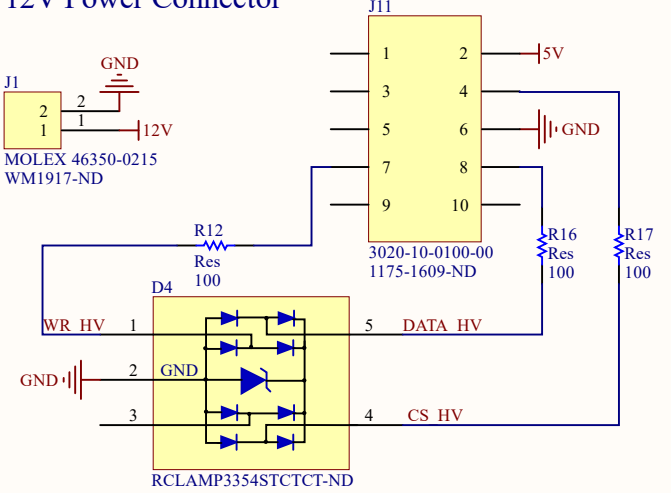
### LEDs



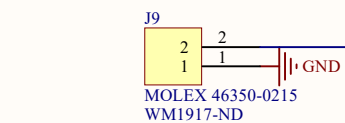
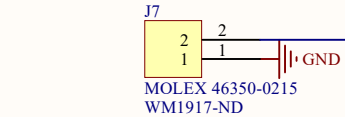
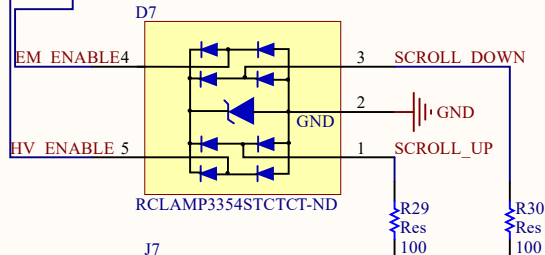
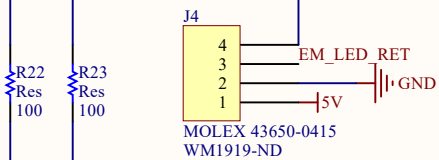
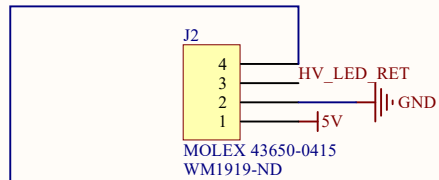
### 12V Power Connector



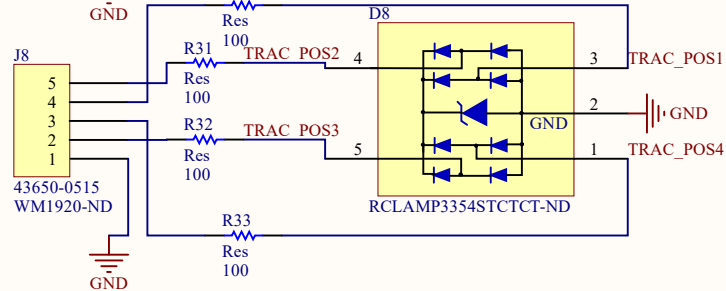
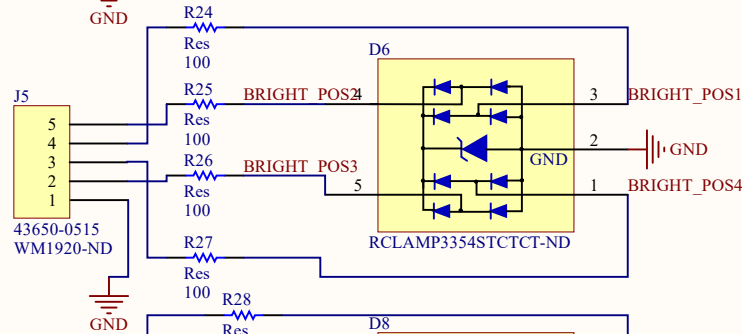
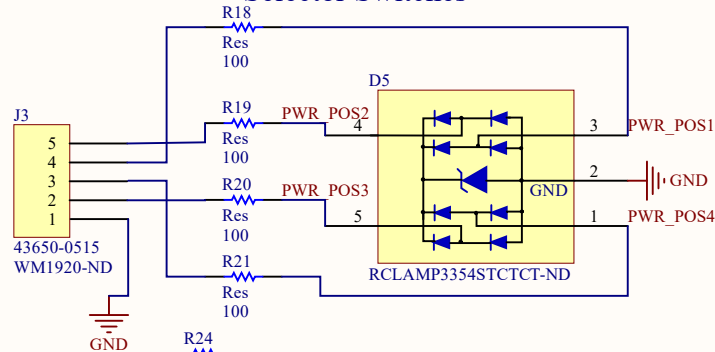
### Screen Connector



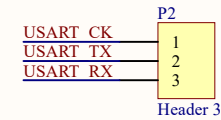
### Buttons



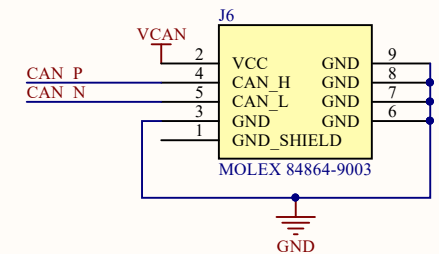
### Selector Switches



### USART Connector

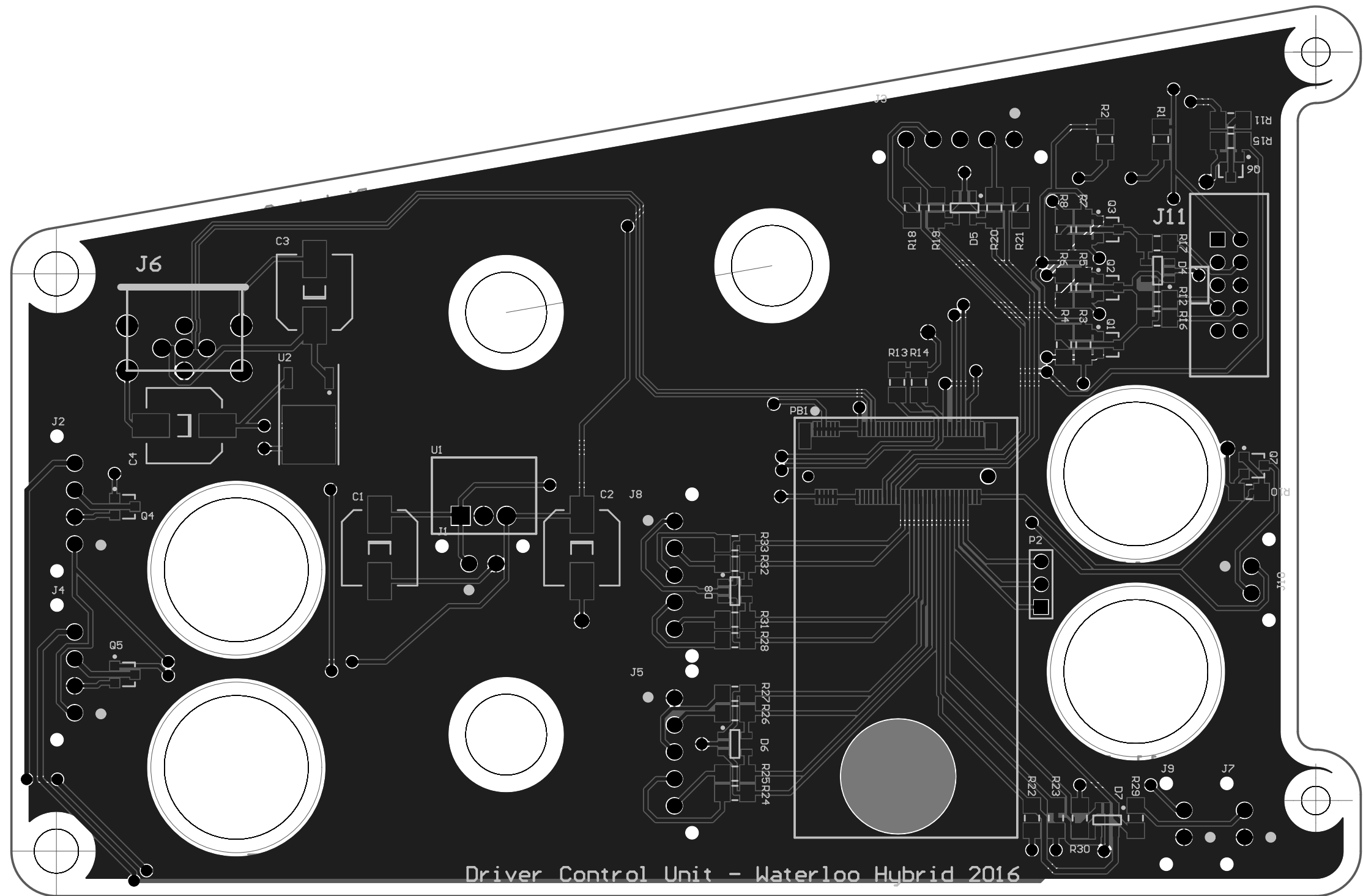


### CAN Connector



Title DCU

Size	Number	Revision
A4	E16-02-001	
Date:	2016-02-20	Sheet of
File:	C:\Users\...E16-02-002.SchDoc	Drawn By: RISHAB SAREEN, PAVEL SHERING



Driver Control Unit - Waterloo Hybrid 2016