

Synergistics, Inc.

Access Control

Catalog

CARD READERS

PRODUCT SHEET

Insertion Card Reader
Non-Lighted
IR1051F

Synergistics, Inc.

9 Tech Circle
Natick, MA 01760
Tel (508) 655-1340

IR1051F

Insertion Reader
Mag Stripe
Flush Mounted
Environmental
Non lighted

General Use:

MSLR1
ATM access control

Electrical:

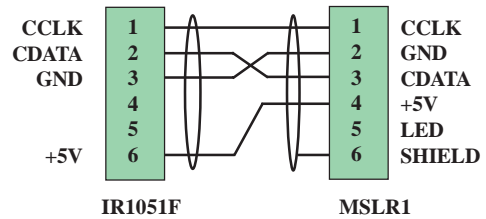
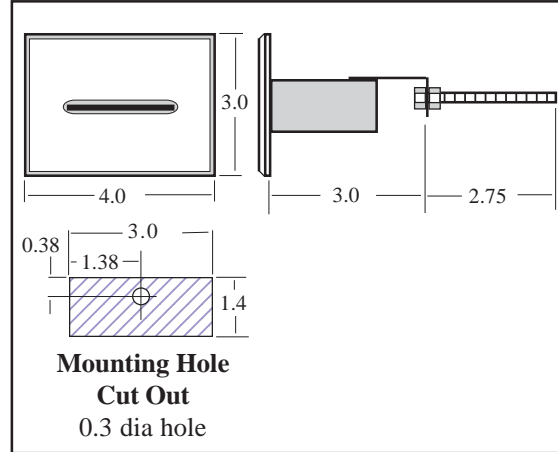
5VDC, 30mA

Mechanical:

Weight, 0.5 lbs.
Color, Silver

Interface:

Cable distance 750ft.
4 wire, 22 AWG,
shielded cable.
Ref: Belden 8723



PRODUCT SHEET

Insertion Card Reader Lighted IR1051FL

Synergistics, Inc.

9 Tech Circle
Natick, MA 01760
Tel (508) 655-1340

IR1051FL

Insertion Reader
Mag Stripe
Flush Mounted
Environmental
Lighted
Yellow: power
Green: Door unlocked

Electrical:

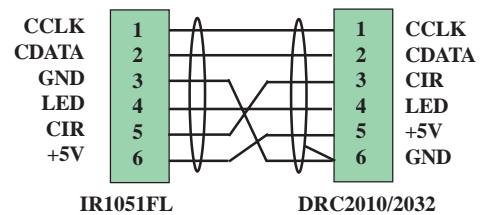
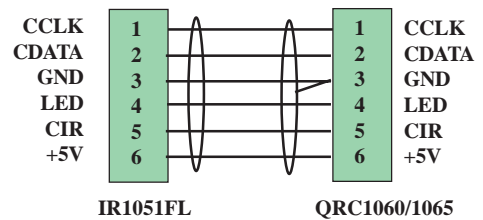
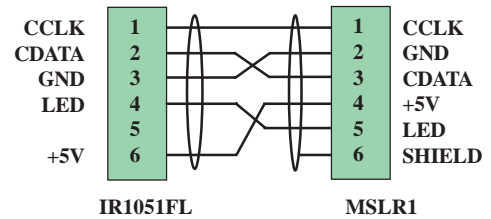
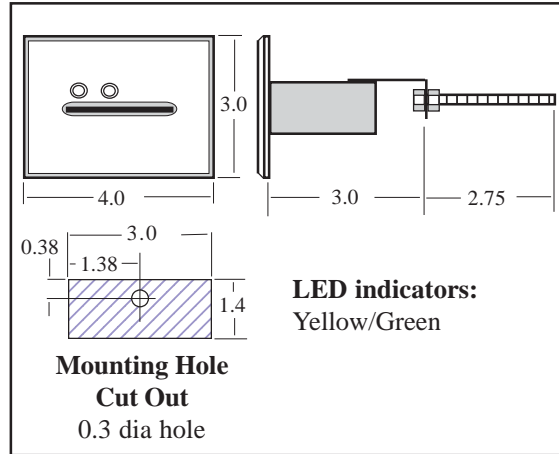
5VDC, 30mA

Mechanical:

Weight, 0.5 lbs.
Color, Silver

Interface:

Cable distance 750ft.
6 wire, 22 AWG,
shielded cable.
Ref: Belden 8777



PRODUCT SHEET

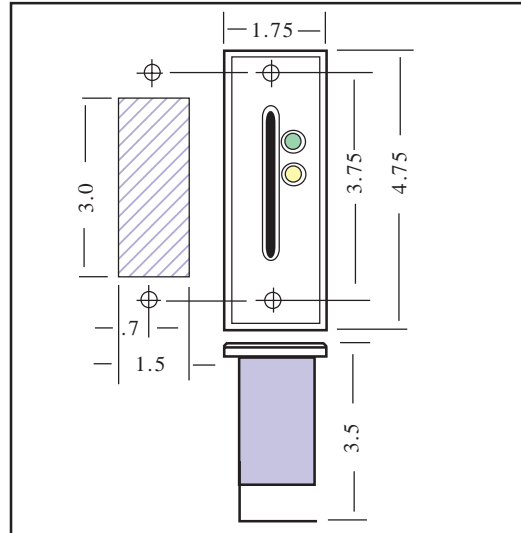
Narrow Insertion Card Reader

IR1051FLN2

Synergistics, Inc.
 9 Tech Circle
 Natick, MA 01760
 Tel (508) 655-1340

IR1051FLN2

Insertion Reader
 Narrow, Vertical
 Mullion Mount
 Flush Mounted
 Mag Stripe
 Environmental
 Lighted
 Yellow: Power On
 Green: Door Unlocked



Electrical:

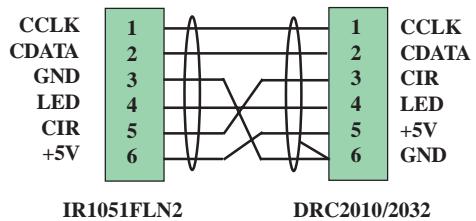
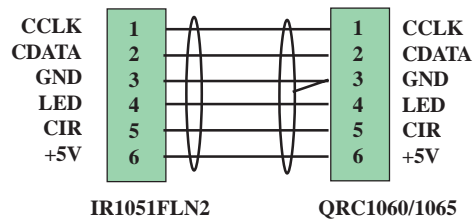
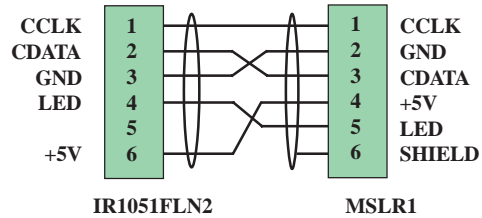
5VDC, 30mA

Mechanical:

Weight, 0.5 lbs.
 Color, Silver

Interface:

Cable distance 750ft.
 6 wire, 22 AWG,
 shielded cable.
 Ref: Belden 8777



PRODUCT SHEET

Narrow Insertion Card Reader

IR1051FLN

Synergistics, Inc.

9 Tech Circle
Natick, MA 01760
Tel (508) 655-1340

IR1051FLN

Insertion Reader
Narrow, Vertical
Mullion Mount
Flush Mounted
Mag Stripe
Environmental
Lighted
Yellow: Power On
Green: Door Unlocked

Electrical:

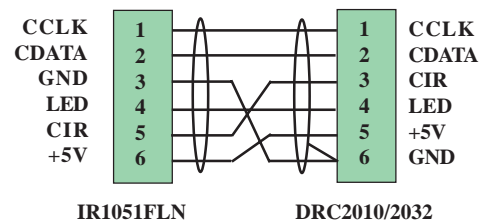
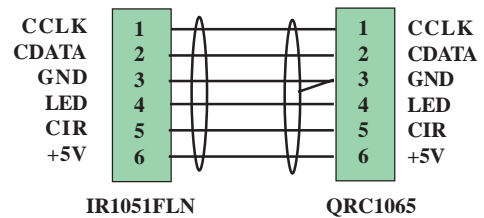
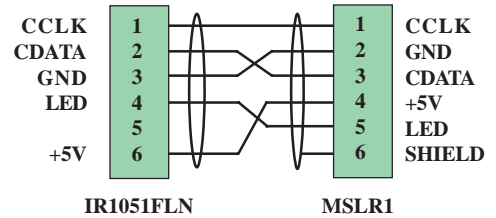
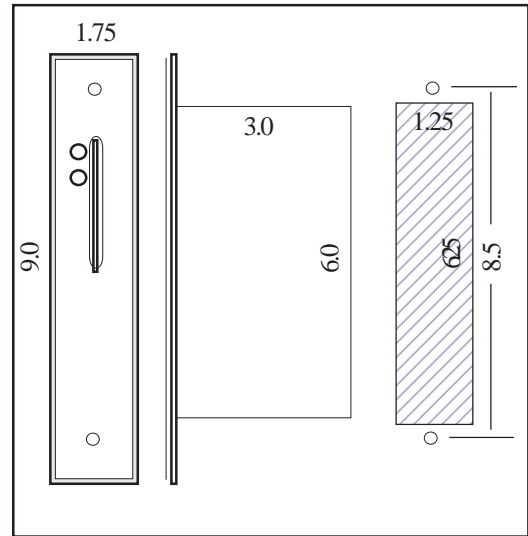
5VDC, 30mA

Mechanical:

Weight, 0.5 lbs.
Color, Silver

Interface:

Cable distance 750ft.
6 wire, 22 AWG,
shielded cable.
Ref: Belden 8777



PRODUCT SHEET

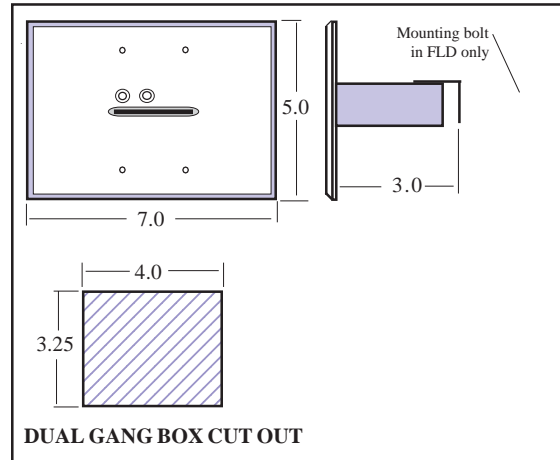
**Insertion Card Reader
Lighted
IR1051FLG**

Synergistics, Inc.

9 Tech Circle
Natick, MA 01760
Tel (508) 655-1340

IR1051FLG

Insertion Reader
Mag Stripe
Environmental
5x7 Faceplate
Mounting:
Dual Gang Box
Flush Mounted
Lighted:
Yellow: Power
Green: Door unlocked



Electrical:

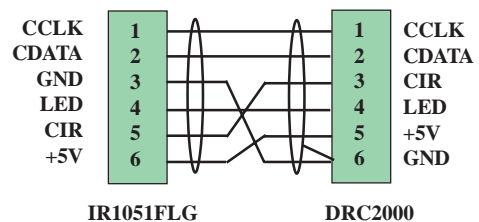
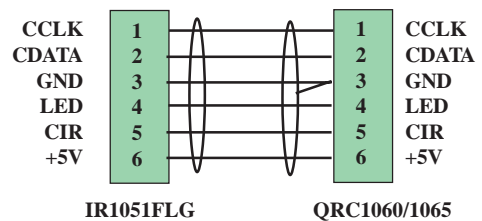
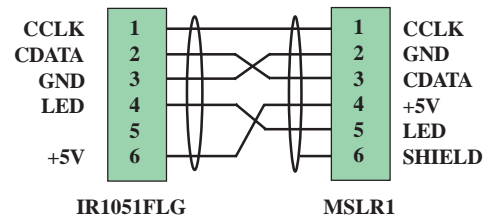
5VDC, 30mA

Mechanical:

Weight, 2.5 lbs.
Color, Silver

Interface:

Cable distance 750ft.
6 wire, 22 AWG,
shielded cable.
Ref: Belden 8777



PRODUCT SHEET

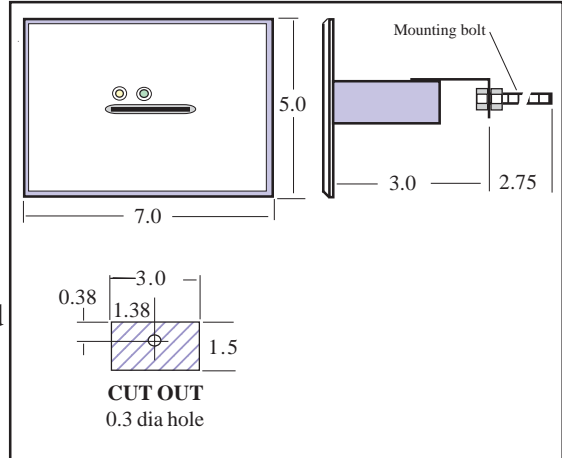
Insertion Card Reader Lighted IR1051FLD

Synergistics, Inc.

9 Tech Circle
Natick, MA 01760
Tel (508) 655-1340

IR1051FLD

Insertion Reader
Mag Stripe
Environmental
5x7 Faceplate
Flush Mount
Lighted:
Yellow: Power
Green: Door unlocked



Electrical:

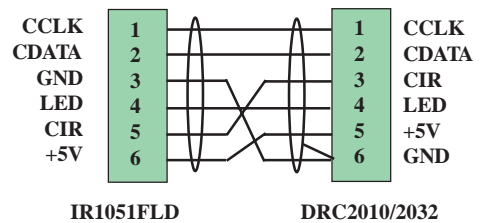
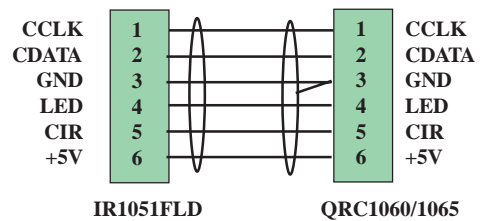
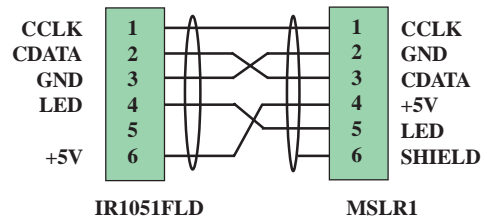
5VDC, 30mA

Mechanical:

Weight, 2.5 lbs.
Color, Silver

Interface:

Cable distance 750ft.
6 wire, 22 AWG,
shielded cable.



PRODUCT SHEET

**Insertion Card Reader
Narrow, Short, Lighted
IR1051FLNS**

Synergistics, Inc.

9 Tech Circle
Natick, MA 01760
Tel (508) 655-1340

IR1051FLNS

Insertion Reader
Mag Stripe
Environmental
Flush Mount
Mullion Mount
Short Frame
Narrow
Lighted:
Yellow: Power on
Green: Door Unlocked

Electrical:

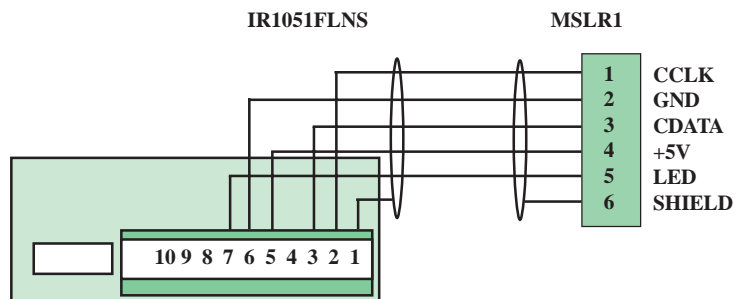
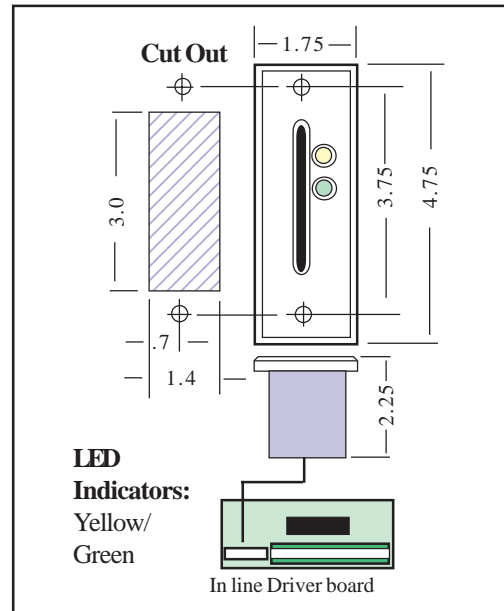
5VDC, 30mA

Mechanical:

Weight, 0.5 lbs.
Color, Silver

Interface:

Cable distance 750ft.
6 wire, 22 AWG,
shielded cable.
Ref: Belden 8777



PRODUCT SHEET

Insertion Card Reader

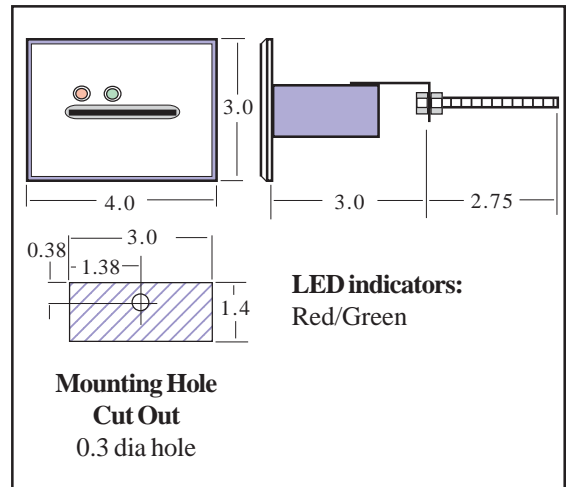
IR1051FL3

Synergistics, Inc.

9 Tech Circle
Natick, MA 01760
Tel (508) 655-1340

IR1051FL3

Insertion Reader
Mag Stripe
Environmental
Flush Mounted
Lighted:
Red blinking:
Reader active
Red on:
Invalid card
Green on:
Door unlocked



Electrical:

5VDC, 30mA

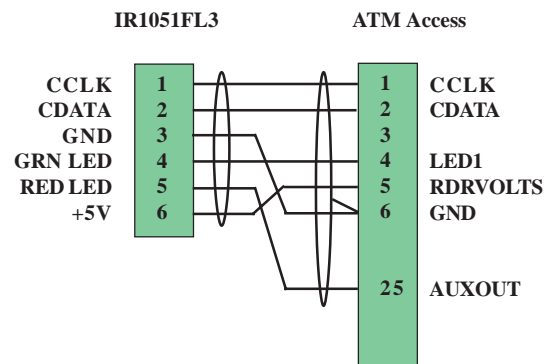
Mechanical:

Weight, 0.5 lbs.
Color, Silver

Interface:

Cable distance 750ft.
6 wire, 22 AWG,
shielded cable.
Ref: Belden 8777

Designed for use on
the ATM Access
security system.

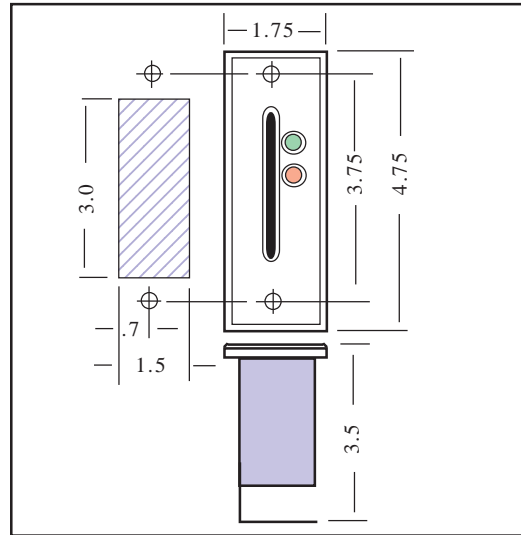


PRODUCT SHEET
Narrow Insertion Card Reader
for ATM Access Systems
IR1051FLN3

Synergistics, Inc.
 9 Tech Circle
 Natick, MA 01760
 Tel (508) 655-1340

IR1051FLN3

Insertion Reader
 Used with ATMA
 system.
 Narrow, Vertical
 Mullion Mount
 Flush Mounted
 Mag Stripe
 Environmental
 Lighted:
 Red blinking:
 Reader active
 Red on:
 Invalid card
 Green on:
 Door unlocked



Electrical:

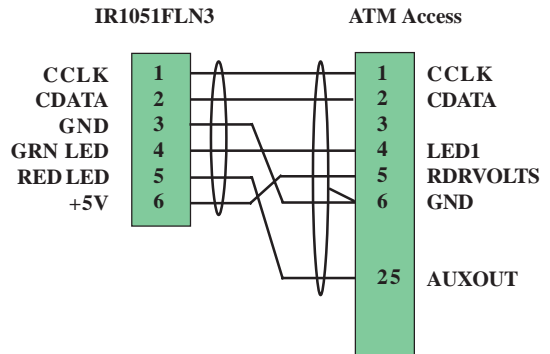
5VDC, 30mA

Mechanical:

Weight, 0.5 lbs.
 Color, Silver

Interface:

Cable distance 750ft.
 6 wire, 22 AWG,
 shielded cable.
 Ref: Belden 8777



PRODUCT SHEET

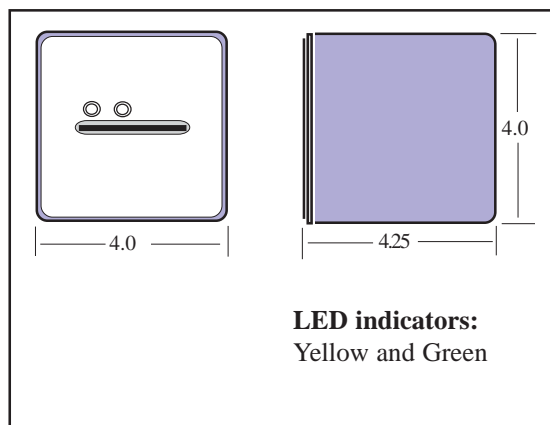
**Insertion Card Reader
Lighted, Surface Mount
IR1051SL**

Synergistics, Inc.

9 Tech Circle
Natick, MA 01760
Tel (508) 655-1340

IR1051SL

Insertion Reader
Mag Stripe
Environmental
Surface Mounted
Lighted
Yellow: Power on
Green: Door unlocked



Electrical:

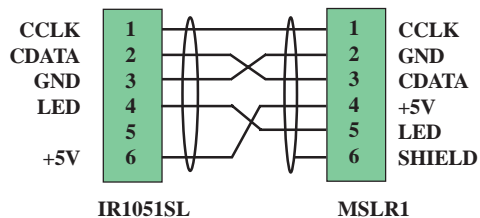
5VDC, 30mA

Mechanical:

Weight, 2.5 lbs.
Color, Silver

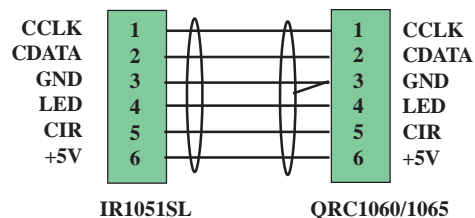
Interface:

Cable distance 750ft.
6 wire, 22 AWG,
shielded cable.
Ref: Belden 8777



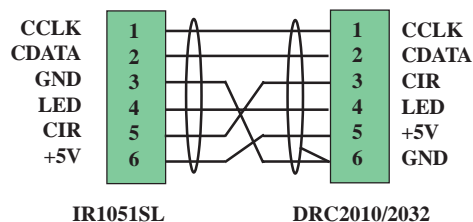
IR1051SL

MSLR1



IR1051SL

QRC1060/1065



IR1051SL

DRC2010/2032

PRODUCT SHEET

Insertion Card Reader Lighted, Post Mount IR1051PL

Synergistics, Inc.

9 Tech Circle
Natick, MA 01760
Tel (508) 655-1340

IR1051PL

Our standard IR1051 insertion card reader mounted on a 42 inch bronze post.

Insertion Reader

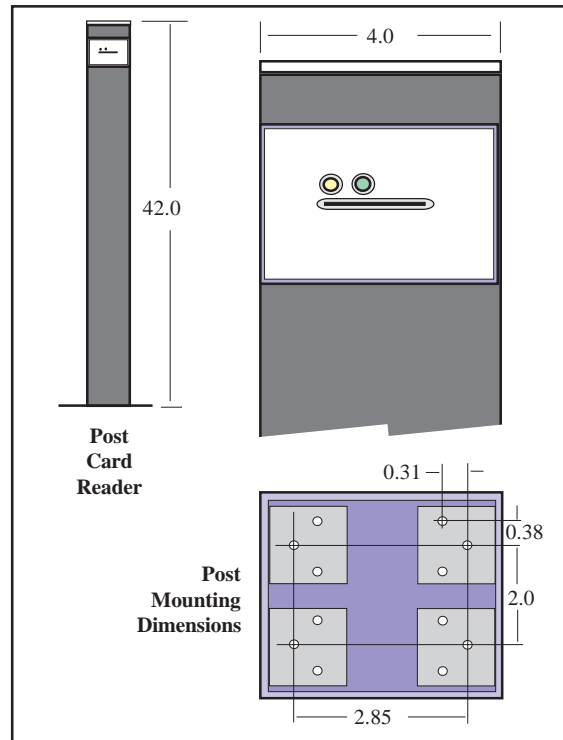
Mag Stripe
Environment
Post Mounted
Lighted:
Yellow: Power on
Green: Door unlocked

Electrical:

5VDC, 30mA

Mechanical:

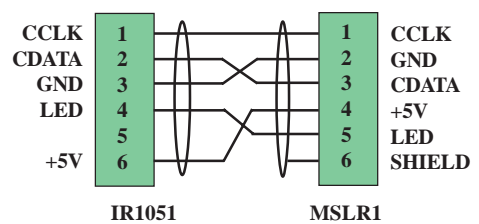
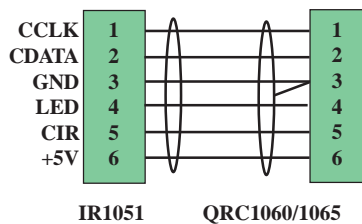
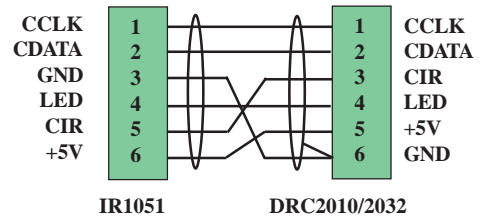
Color: Bronze Post
Silver Reader



Interface:

Cable distance 750ft.
6 wire, 22 AWG,
shielded cable.

Ref: Belden 8777



PRODUCT SHEET

Indoor Swipe Reader

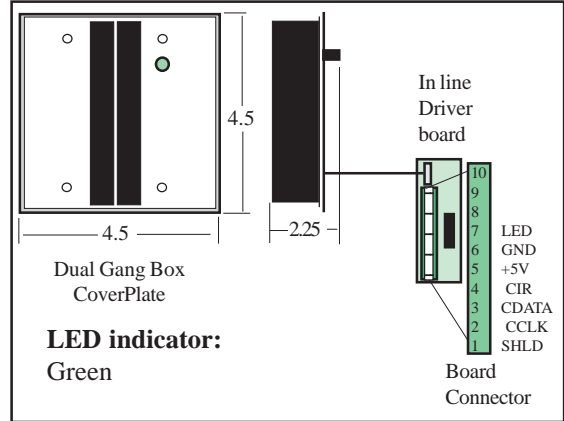
SR1054FL

Synergistics, Inc.

9 Tech Circle
Natick, MA 01760
Tel (508) 655-1340

SR1054FL

Swipe Reader
Mag Stripe
Indoor Mounting
Flush Mounted on
Dual Gang Box
Lighted
Green: Door unlocked



Electrical:

5VDC, 30mA

LED indicator:

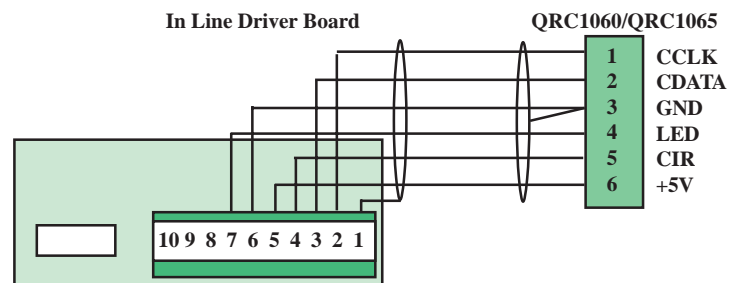
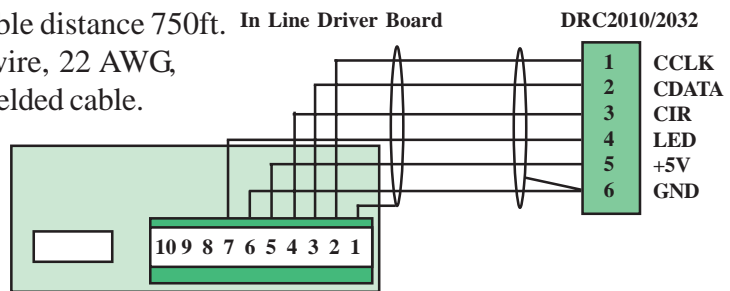
Green

Mechanical:

Weight: 0.5 lbs.
Color, Chrome

Interface:

Cable distance 750ft. In Line Driver Board
6 wire, 22 AWG,
shielded cable.



w:\prosheel\reader\pdfs\catrdr02_13.pdf

10/04

PRODUCT SHEET

Indoor Swipe Card Reader

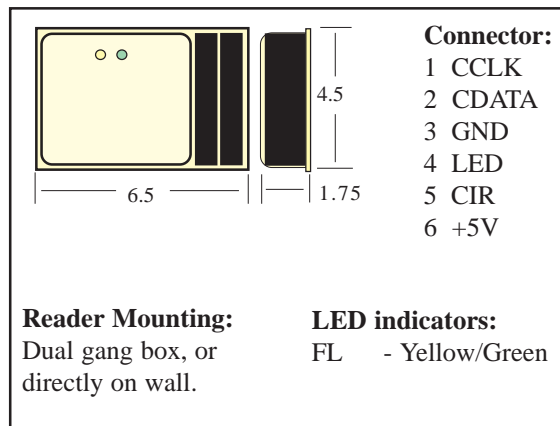
SR1055SL

Synergistics, Inc.

9 Tech Circle
Natick, MA 01760
Tel (508) 655-1340

SR1055SL

Swipe Reader
Mag Stripe
Indoor
Surface Mounted
Lighted
yellow: Power on
green: Door unlocked



Electrical:
5VDC, 30mA

Reader Mounting:
Dual gang box, or
directly on wall.

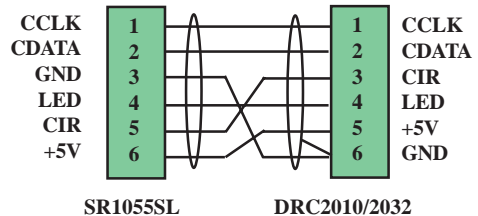
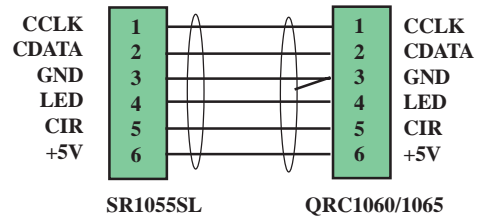
LED indicators:
FL - Yellow/Green

Mechanical:

Weight 0.5 lbs.
Color:
Pantone White

Interface:

Cable distance 750ft.
6 wire, 22 AWG,
shielded cable.
Ref: Belden 8777



w:\prosheet\reader\pdfs\catdr02_14.pdf

10/04

PRODUCT SHEET

Outdoor Swipe Card Reader

SR1058SLE

Synergistics, Inc.

9 Tech Circle
Natick, MA 01760
Tel (508) 655-1340

SR1058SLE

Swipe Reader
Mag Stripe
Environmental
Surface Mounted
to wall, or mounted
over single gang box.
Lighted
Yellow: Power on
Green: Door unlocked

Electrical:

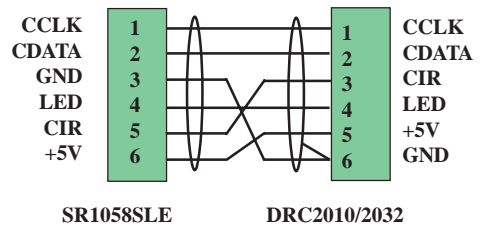
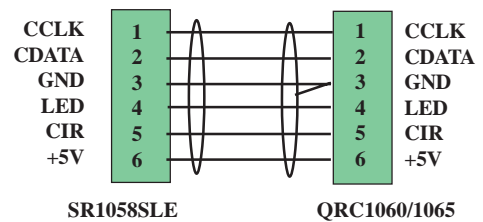
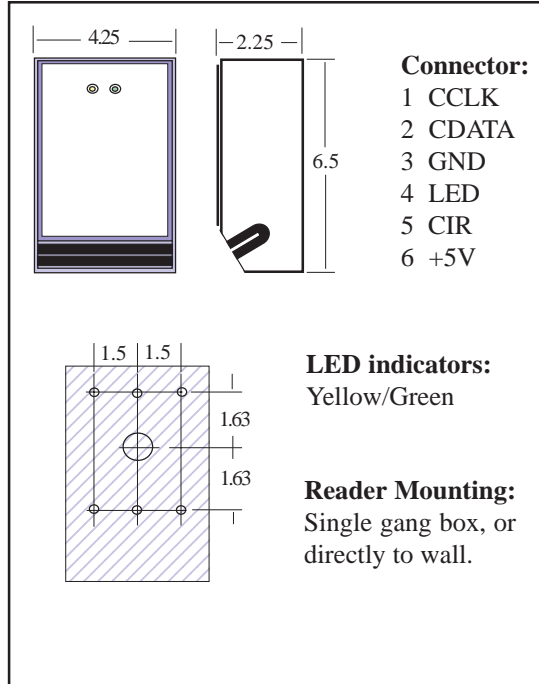
5VDC, 30mA

Mechanical:

Weight: 1.2 lbs.
Color: Silver

Interface:

Cable distance 750ft.
6 wire, 22 AWG,
shielded cable.
Ref: Belden 8777



PRODUCT SHEET

Parking Lot Card Reader

SR1058PKL

Synergistics, Inc.

9 Tech Circle
Natick, MA 01760
Tel (508) 655-1340

SR1058PKL

SR1058SLE card reader mounted on a 43 inch post for parking lot installations.

Swipe Reader
Parking lot
Mag Stripe
Post Mounted
Environmental
Lighted:
Yellow: Power on
Green: Gate active

Electrical:

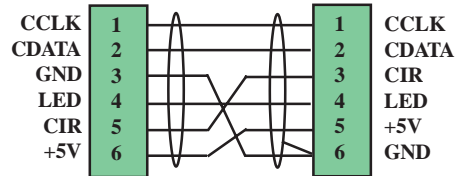
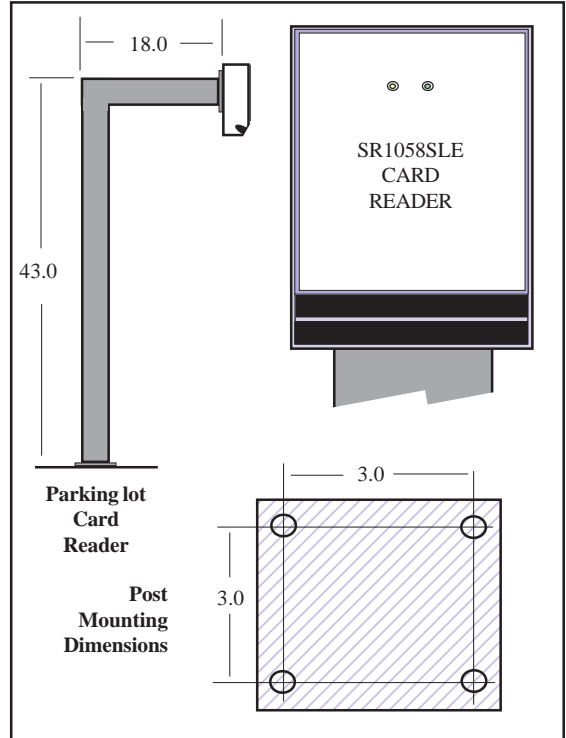
5VDC, 30mA

Mechanical:

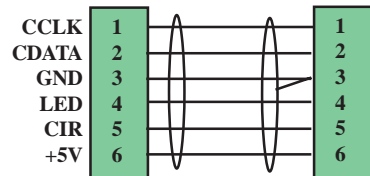
Color: Silver
Post: Black

Interface:

Cable distance 750ft.
6 wire, 22 AWG,
shielded cable.
Ref: Belden 8777



SR1058PKL DRC2010/2032



SR1058PKL QRC1060/1065

PRODUCT SHEET

Indoor/Outdoor Swipe Card Reader SR1063FL

Synergistics, Inc.

9 Tech Circle
Natick, MA 01760
Tel (508) 655-1340

SR1063FL

Swipe Reader
Mag Stripe
Environmental
Flush Mounted
Lighted:
Yellow: Power on
Green: Door unlocked

Electrical:

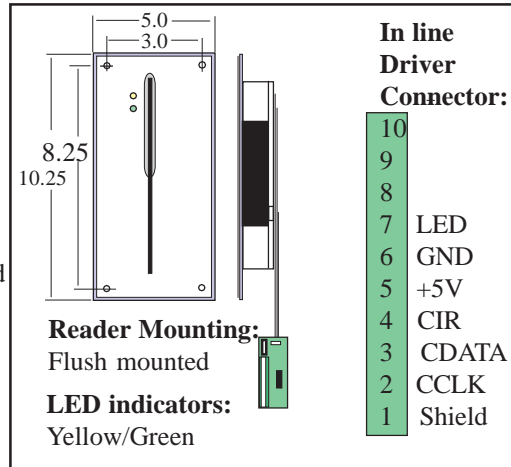
5VDC, 30mA

Mechanical:

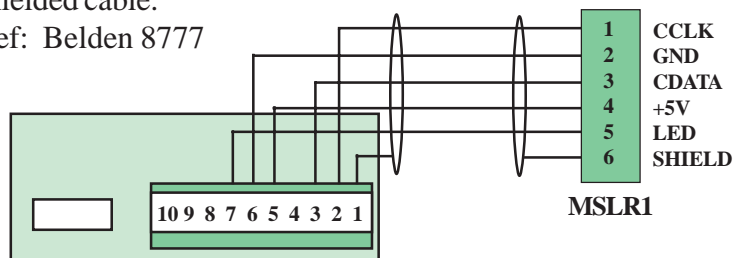
Weight: 2.3 lbs.
Color: Silver

Interface:

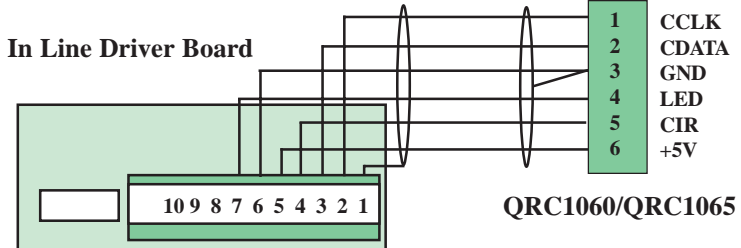
Cable distance 750ft.
6 wire, 22 AWG,
shielded cable.
Ref: Belden 8777



Temperature: -22deg. to +150deg. F
Humidity: 95% non condensing



In Line Driver Board



In Line Driver Board

PRODUCT SHEET

**Indoor/Outdoor
Narrow, Swipe Card Reader
SR1063FLN**

Synergistics, Inc.

9 Tech Circle
Natick, MA 01760
Tel (508) 655-1340

SR1063FLN

Swipe Reader

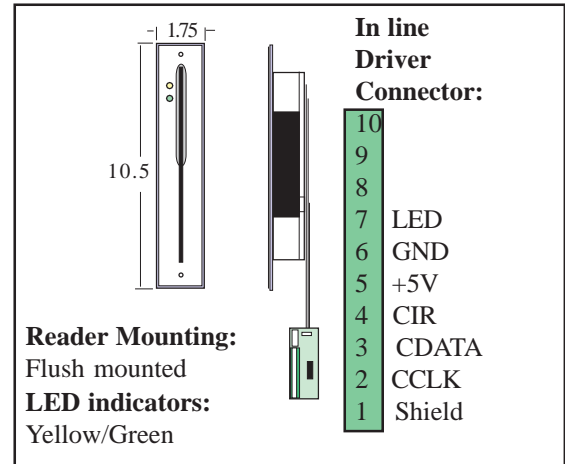
- Mag Stripe
- Environmental
- Flush Mounted
- In-Wall Driver
- Lighted:
- Yellow: Power On
- Green: Door unlocked

Electrical:

5VDC, 30mA

Mechanical:

- Weight: 1.5 lbs.
- Color: Silver

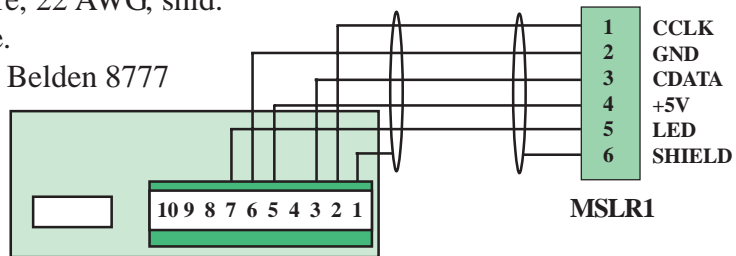


Temperature: -22deg. to +150deg. F

Humidity: 95% non condensing

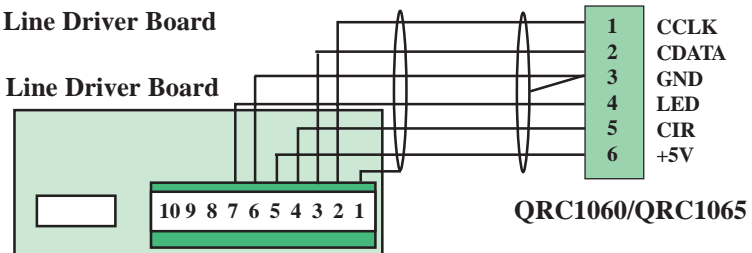
Interface:

- Cable distance 750ft.
- 6 wire, 22 AWG, shld. cable.
- Ref: Belden 8777



In Line Driver Board

In Line Driver Board



PRODUCT SHEET

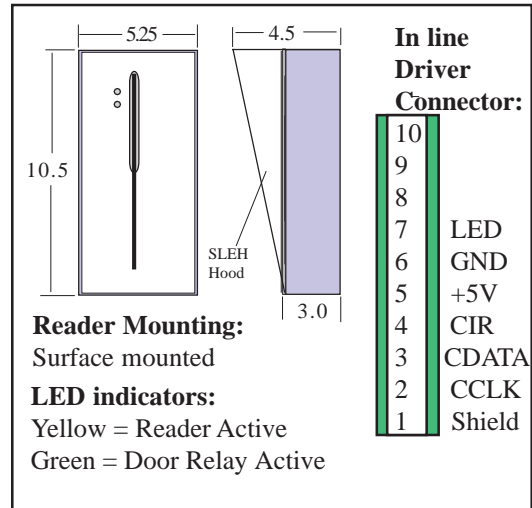
Indoor/Outdoor
 Swipe Card Reader
 SR1063SL - SR1063SLEH

Synergistics, Inc.

9 Tech Circle
 Natick, MA 01760
 Tel (508) 655-1340

SR1063SL / SLEH

Swipe Reader
 Mag Stripe
 Environmental (SLEH)
 Hooded (SLEH)
 Indoor (SL)
 Surface Mounted
 Lighted:
 Yellow: Power On
 Green: Door Unlocked



Electrical:

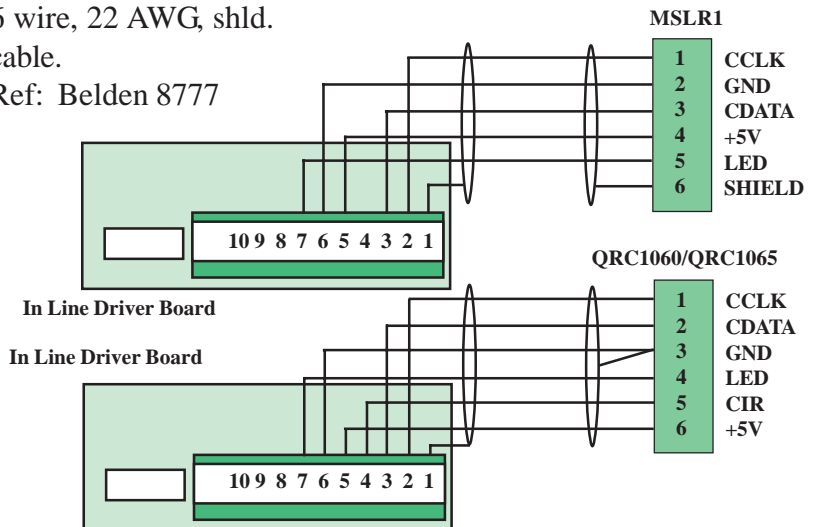
5VDC, 30mA

Mechanical:

Weight: 2.7 lbs.
 Color: Silver

Interface:

Cable distance 750ft.
 6 wire, 22 AWG, shld.
 cable.
 Ref: Belden 8777



PRODUCT SHEET

**Mullion Swipe Reader
Surface Mount
SR1053SLM**

Synergistics, Inc.

9 Tech Circle
Natick, MA 01760
Tel (508) 655-1340

SR1053SLM

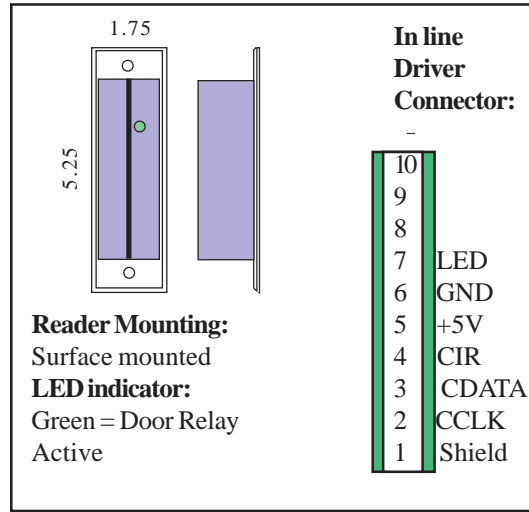
Swipe Reader
Mag Stripe
Indoor
Surface Mullion Mount
Lighted:
Green: Door unlocked

Electrical:

5VDC, 30mA

Mechanical:

Weight: 0.7 lbs.
Color: Silver/Black



Reader Mounting:

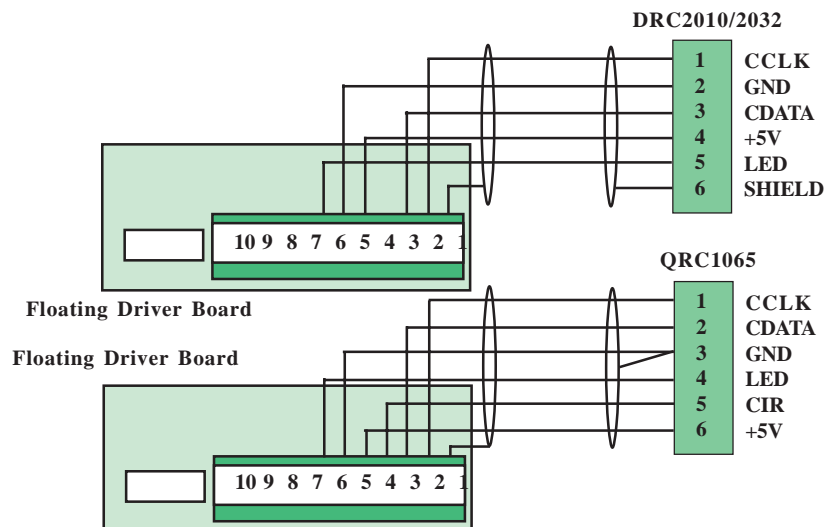
Surface mounted

LED indicator:

Green = Door Relay
Active

Interface:

Cable distance 750ft.
6 wire, 22 AWG, shld.
cable.
Ref: Belden 8777



PRODUCT SHEET

Indoor Swipe Card Reader

KSR1055SL

Synergistics, Inc.

9 Tech Circle
Natick, MA 01760
Tel (508) 655-1340

KSR1055SL

Pin Keypad
Mag Stripe
Swipe Reader
Indoor
Surface Mounted
Lighted:
yellow: Power on
green: Door unlocked

Electrical:

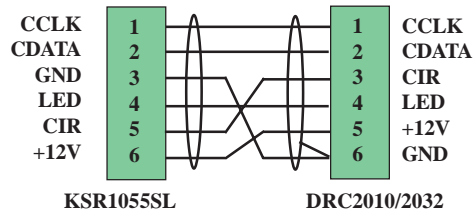
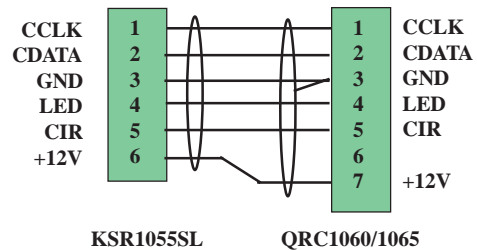
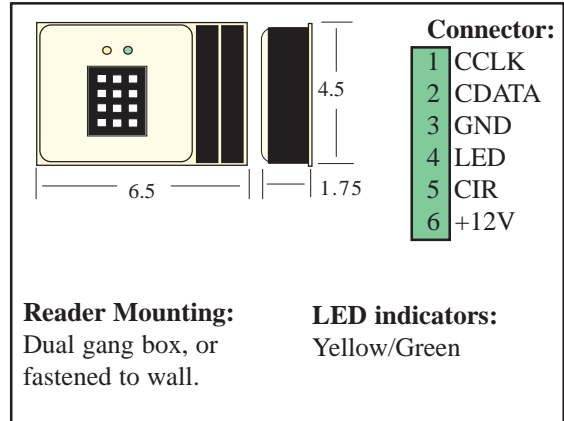
12VDC, 130mA

Mechanical:

Material:
Painted Alum.
Purlane White
Weight: 2.7 lbs.

Interface:

Cable distance 500ft.
6 wire, 22 AWG,
shielded cable.
Ref: Belden 8777



PRODUCT SHEET

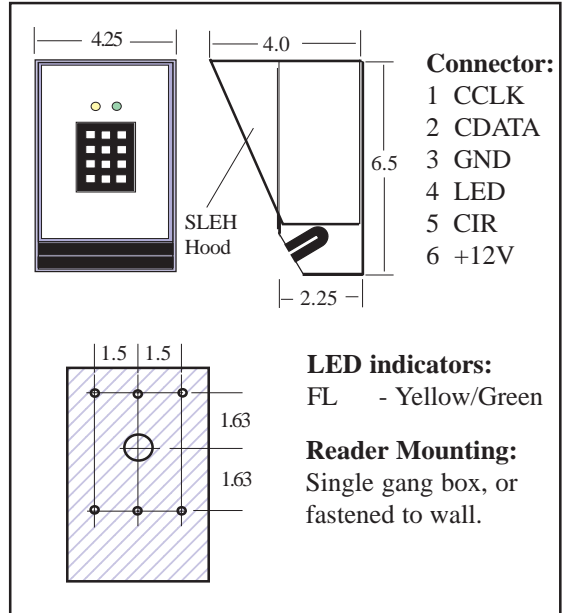
**PIN Keypad
Swipe Card Reader
KSR1058SL/SLEH**

Synergistics, Inc.

9 Tech Circle
Natick, MA 01760
Tel (508) 655-1340

KSR1058SL/SLEH

Mag Stripe
Swipe Reader
Pin Keypad
SL Indoor
SLEH: Outdoor
(Hooded)
Surface Mounted
to wall, or mounted
over single gang box.
Lighted:
Yellow: Power on
Green: Door unlocked



Connector:

- 1 CCLK
- 2 CDATA
- 3 GND
- 4 LED
- 5 CIR
- 6 +12V

LED indicators:

FL - Yellow/Green

Reader Mounting:

Single gang box, or fastened to wall.

Electrical:

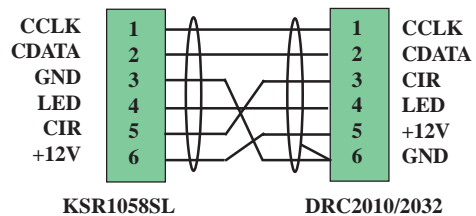
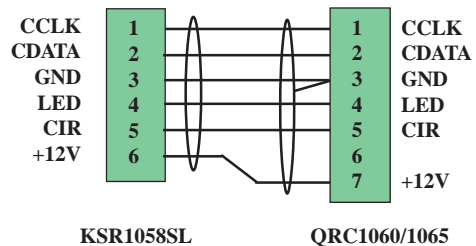
12VDC, 130mA

Mechanical:

Weight: 1.5 lbs.
Color: Silver

Interface:

Cable distance 500ft.
6 wire, 22 AWG,
shielded cable.
Ref: Belden 8777



PRODUCT SHEET

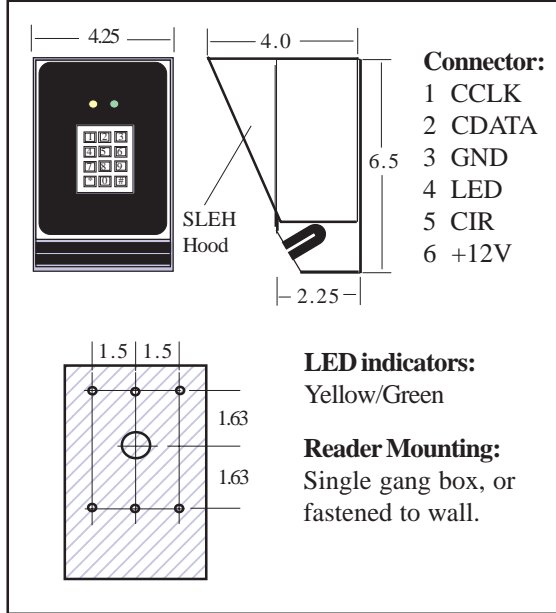
Environmental Keypad Swipe Card Reader KSR1066SL/SLEH

Synergistics, Inc.

9 Tech Circle
Natick, MA 01760
Tel (508) 655-1340

KSR1066SL/SLEH

Mag Stripe
Swipe Reader
PIN Keypad
(Telephone Style)
SL Indoor
SLEH: Outdoor, *
(Hooded)
Surface Mounted
to wall, or mounted
over single gang box.
Lighted:
Yellow: Power on
Green: Door unlocked



Electrical:

12VDC, 130mA

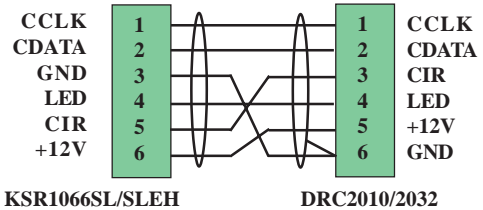
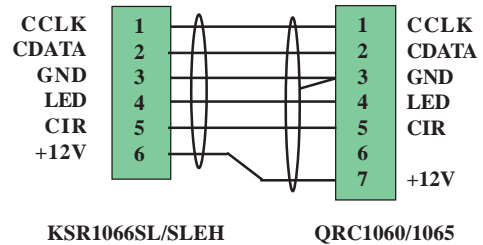
Mechanical:

Weight: 1.5 lbs.
Color: Black/Silver

Interface:

Cable distance 500ft.
6 wire, 22 AWG,
shielded cable.
Ref: Belden 8777

* (Note: Do not expose
to cascading water.)



PRODUCT SHEET

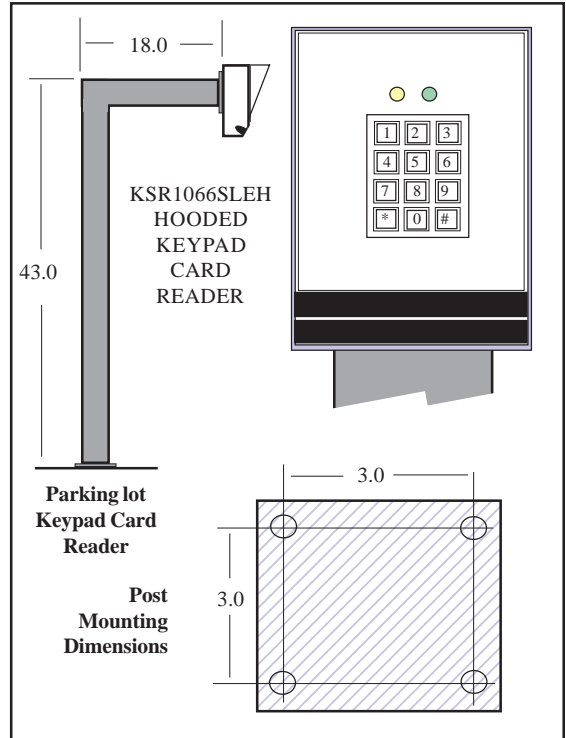
Parking Log Keypad Card Reader KSR1066PKLH

Synergistics, Inc.

9 Tech Circle
Natick, MA 01760
Tel (508) 655-1340

SR1066PKLH
KSR1066SLEH keypad
card reader mounted on
a 43 inch post for
parking lot installations.

Mag Stripe
Swipe Reader
Keypad,
(Telephone Style)
Hooded
Parking lot
Post Mounted
Environmental
Lighted:
Yellow: Power on
Green: Gate active



Electrical:

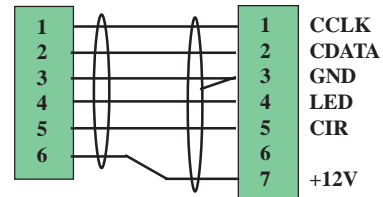
12VDC, 130mA

Mechanical:

Color:
Post: Black Alum.
Reader: Silver

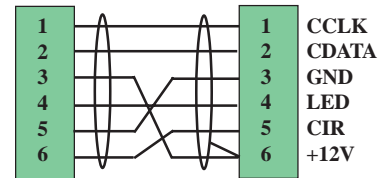
Interface:

Cable distance 500ft.
6 wire, 22 AWG,
shielded cable.
Ref: Belden 8777



KSR1065PKL

QRC1060/1065



KSR1065PKL

DRC2010/2032

w:\prosHEET\reader\pdfs\catdr02_24.pdf

10/04

PRODUCT SHEET

Bar Code Card Reader with PIN Keypad KBSR1059SL

Synergistics, Inc.

9Tech Circle
Natick, MA 01760
Tel (508) 655-1340

KBSR1059SL

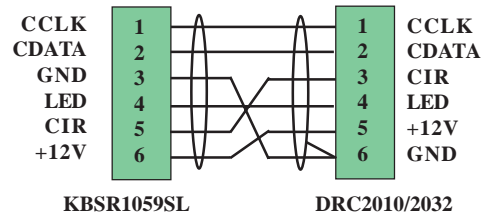
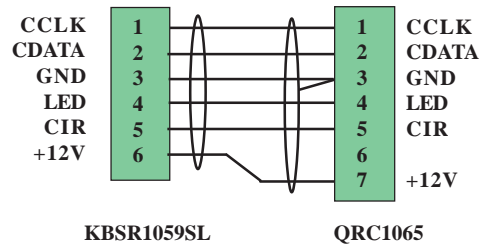
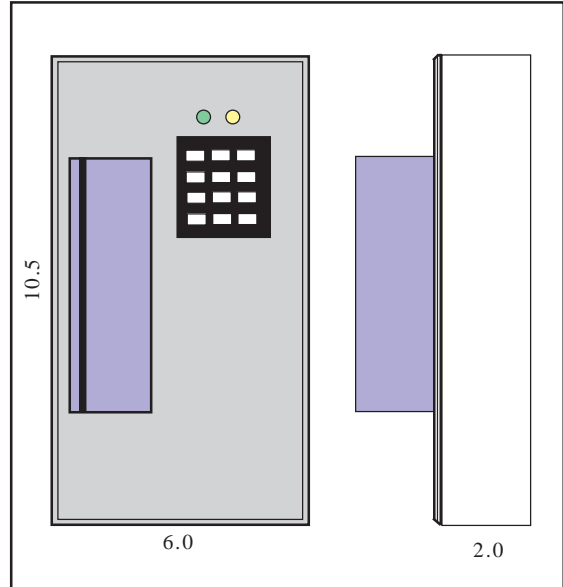
Bar Code Card Reader
PIN Keypad
Indoor
Surface Mount
Lighted
Black Anodize Finish

LED INDICATORS

Yellow: Power ON
Green: Door Unlocked
and Keypad Active

CONNECTOR PINS

1 Card Clock
2 Card Data
3 DC/Signal Ground
4 Green LED Control
5 Card In Reader
6 +12VDC



PRODUCT SHEET

Bar Code Card Reader with PIN Keypad KBSR1059FL

Synergistics, Inc.

9 Tech Circle
Natick, MA 01760
Tel (508) 655-1340

KBSR1059FL

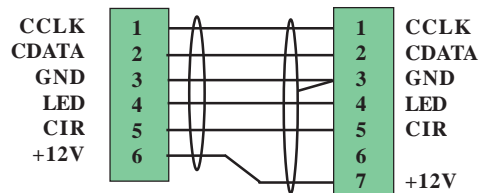
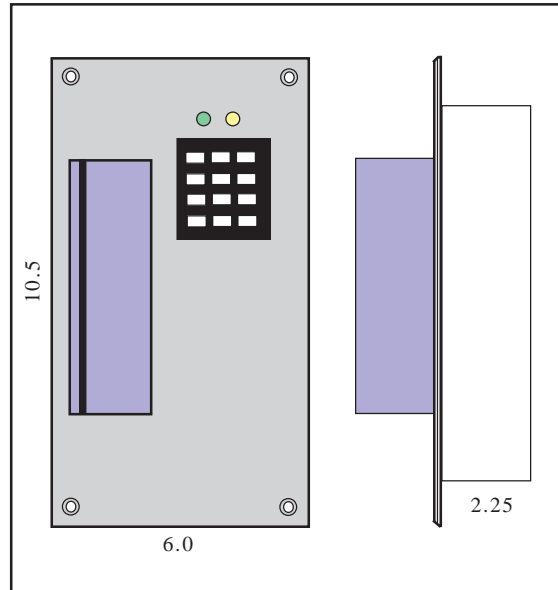
Bar Code Card Reader
PIN Keypad
Indoor
Flush Mount
Lighted
Black Anodize Finish

LED INDICATORS

Yellow - Power ON
Green - Door Unlocked

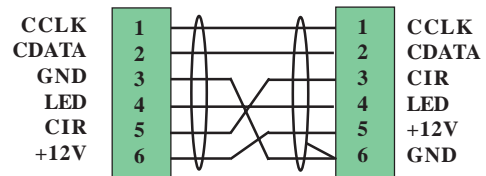
CONNECTOR PINS

1 Card Clock
2 Card Data
3 DC/Signal Ground
4 Green LED Control
5 Card In Reader
6 +5VDC



KBSR1059FL

QRC1065



KBSR1059FL

DRC2010/2032

PRODUCT SHEET

HID - ProxPoint Card Reader

P-6005

Synergistics, Inc.

9 Tech Circle
Natick, MA 01760
Tel (508) 655-1340

Proximity Reader, Lighted
Indoor or Outdoor
Wiegand Protocol
Warranty: Lifetime

Specifications:

Typical Max. Read Range

ProxCardII = 3.75 in.
ISOProx II = 2.3 in.
ProxKey II = 1.7 in.
ProxCard Plus = 1.2 in.

Electrical

Voltage = +4.75 to +16V
Average Current = 35mA

Mechanical

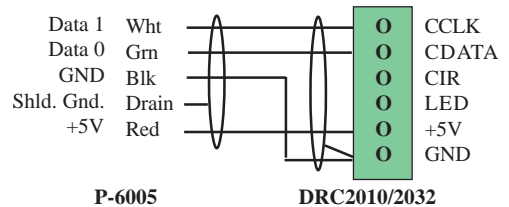
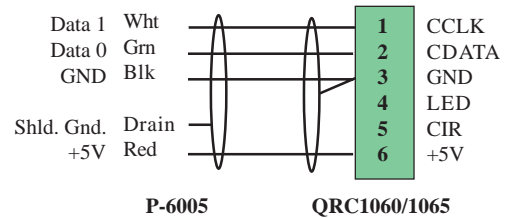
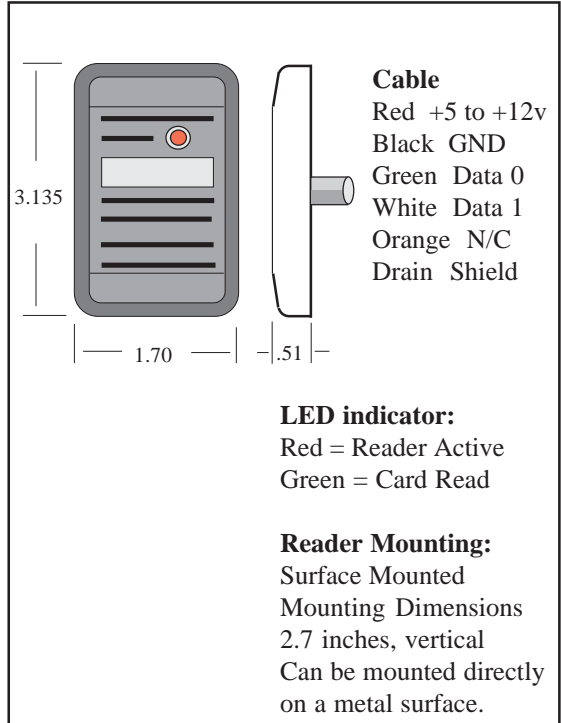
Size: 3.135 x 1.70 x 0.51
Polycarbonate UL 94

Interface:

Wiegand protocol.
Max. distance to controller:
500 ft.
22 AWG, 4 wire, shielded
cable.
Ref: Belden 8777

Operating Temperature:

-22 deg. to +150 deg F.



PRODUCT SHEET

HID - MiniProx Card Reader

P-5365

Synergistics, Inc.

9 Tech Circle
Natick, MA 01760
Tel (508) 655-1340

Proximity Reader,
Lighted
Indoor or Outdoor
Wiegand Protocol
Warranty: Lifetime

Specifications:

Typical Read Range
4.0 inches

Electrical
Voltage = +4.75 to +16V
Current = 40 mA average
80 mA peak

Mechanical
Size: 6.0 x 1.7 x 1.0
Weight: 6.6 oz.
Polycarbonate UL 94

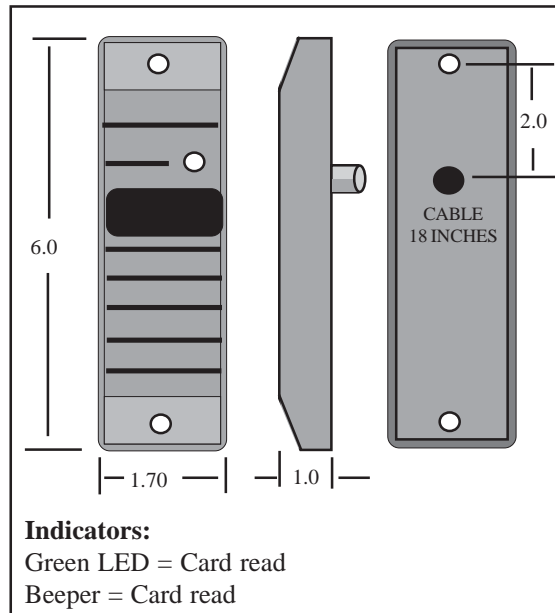
Reader Mounting:
Surface, Mullion mounting
Mount on Metal
Mount dimensions:
5.25 inches, vertical

Interface:
Wiegand protocol.
Cable distance Max. 500 ft.

Operating Temperature:
-22 deg. to +150 deg F.

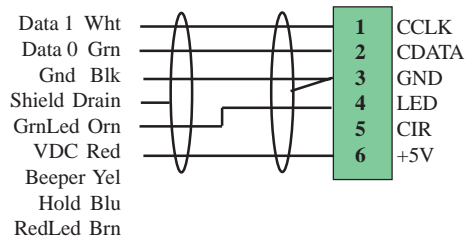
Operating Humidity:
0 - 95% noncondensing

Cable distance:
500 feet, 22AWG
Ref: Belden 8777



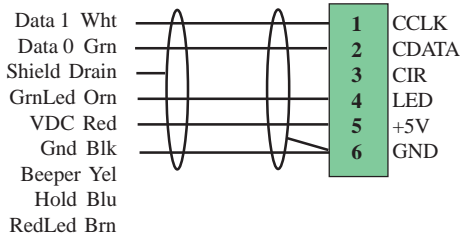
Indicators:

Green LED = Card read
Beeper = Card read



P-5365

QRC1060/1065



P-5365

DRC-2000

PRODUCT SHEET

HID - ProxPro Plus Card Reader

P-6030

Synergistics, Inc.

9 Tech Circle
Natick, MA 01760
Tel (508) 655-1340

Proximity Reader,
Lighted
Indoor or Outdoor
Wiegand Protocol
Warranty: Lifetime

Specifications:

Typical Read Range

ProxCard II	9 inches
ISOProx II	6 inches
ProxKey II	3 inches
ProxCard Plus	3 inches

Electrical

Voltage = +10 to 28.5VDC
Linear P.S. recommended
Current = 100 mA average
160 mA peak

Mechanical

Size: 7.5 x 7.5 x 0.9 in.
Weight: 15 oz.
Polycarbonate UL 94

Reader Mounting:

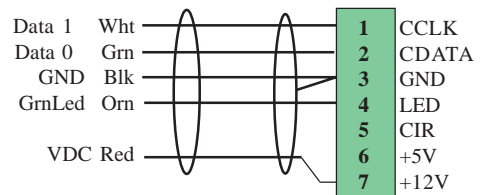
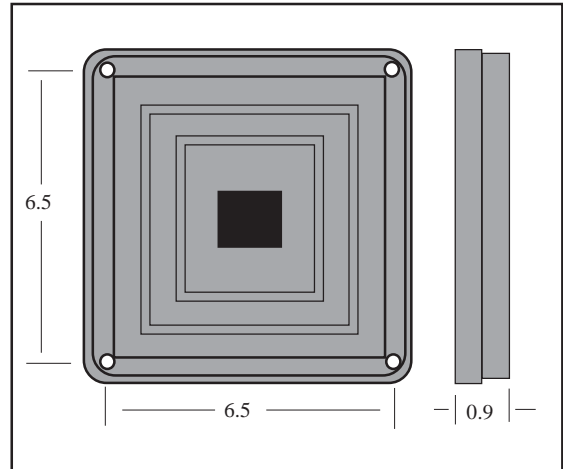
Surface mounting
or Glass mount (opt.)
Mounting dimensions:
6.5 inches on corners.

Interface: Wiegand

Cable distance Max. 500 ft.
22 AWG, 5 cond., shielded.
Additional wires required
for LED and Beeper.
Ref: Belden 8777

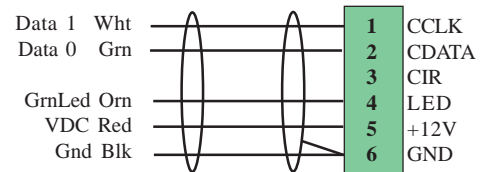
Operating Temperature:

-22 deg. to +150 deg F.
95% humidity.



P-5355

QRC1060/1065



P-5365

DRC-2010/2032

PRODUCT SHEET

HID - ProxPro Card Reader

P-5355

Synergistics, Inc.

9 Tech Circle
Natick, MA 01760
Tel (508) 655-1340

Proximity Reader,
Lighted
Indoor or Outdoor
Wiegand Protocol
Warranty: Lifetime

Specifications:

Typical Read Range

ProxCard II	9 inches
ISOProx II	6 inches
ProxKey II	3 inches
ProxCard Plus	3 inches

Electrical

Voltage = +10 to 28.5VDC
Linear P.S. recommended
Current = 100 mA average
160 mA peak

Mechanical

Size: 5.0 x 5.0 x 1.0 in.
Weight: 12 oz.
Polycarbonate UL 94

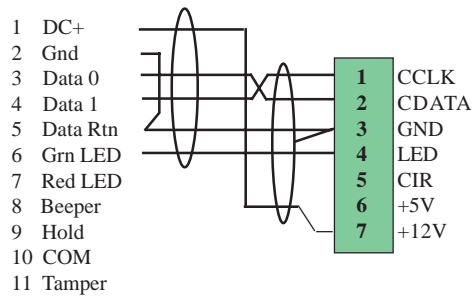
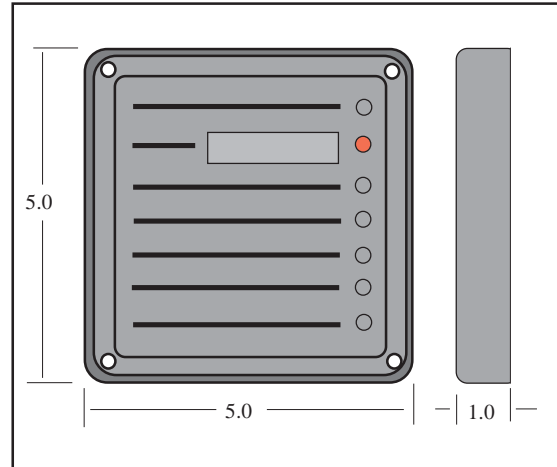
Reader Mounting:

Surface mounting over
single gang box.

Interface: Wiegand
Cable distance Max. 500 ft.
22 AWG, 5 cond., shielded.
Additional wire required
for LED and Beeper.
Ref: Belden 8777

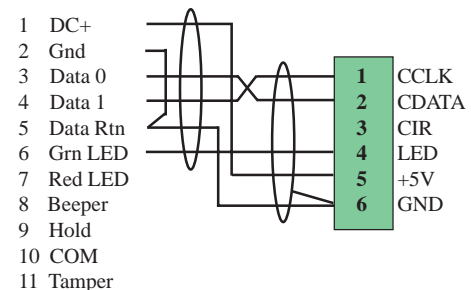
Operating Temperature:

-22 deg. to +150 deg F.
95% humidity.



P-6030

QRC1060/1065



P-6030

DRC-2010/2032

PRODUCT SHEET

HID - ProxPro Card Reader

KP-5355

Synergistics, Inc.

9 Tech Circle
Natick, MA 01760
Tel (508) 655-1340

Proximity Reader,
Lighted
Indoor or Outdoor
Wiegand Protocol
Warranty: Lifetime

Specifications:

Typical Read Range

ProxCard II	9 inches
ISOProx II	6 inches
ProxKey II	3 inches
ProxCard Plus	3 inches

Electrical

Voltage = +10 to 28.5VDC
Linear P.S. recommended
Current = 100 mA average
160 mA peak

Mechanical

Size: 5.0 x 5.0 x 1.0 in.
Weight: 12 oz.
Polycarbonate UL 94

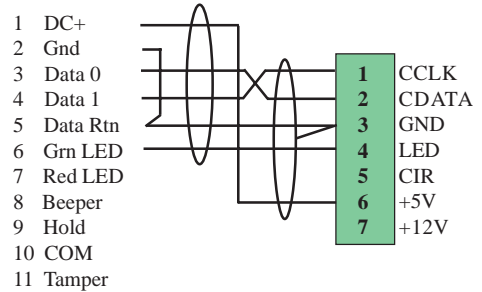
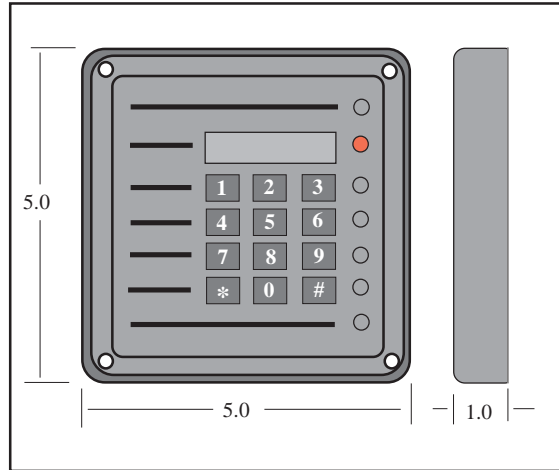
Reader Mounting:

Surface mounting over
single gang box.

Interface: Wiegand
Cable distance Max. 500 ft.
22 AWG, 5 cond., shielded.
Additional wire required
for LED and Beeper.
Ref: Belden 8777

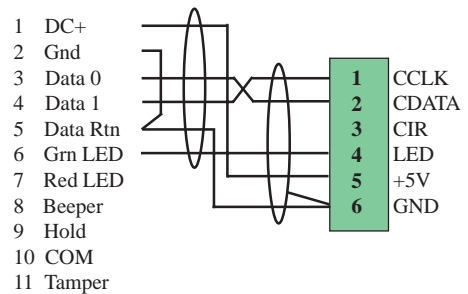
Operating Temperature:

-22 deg. to +150 deg F.
95% humidity.



P-6030

QRC1060/1065



P-6030

DRC-2010/2032

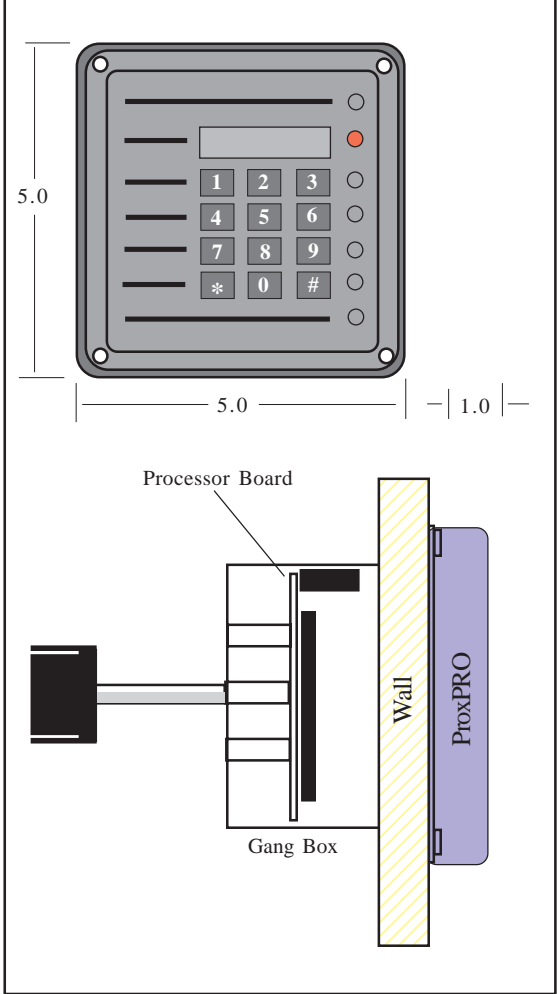
PRODUCT SHEET
ProxPro Card Reader
for use as a PIN Keypad Reader
KPR-5355SLG

Synergistics, Inc.
 9 Tech Circle
 Natick, MA 01760
 Tel (508) 655-1340

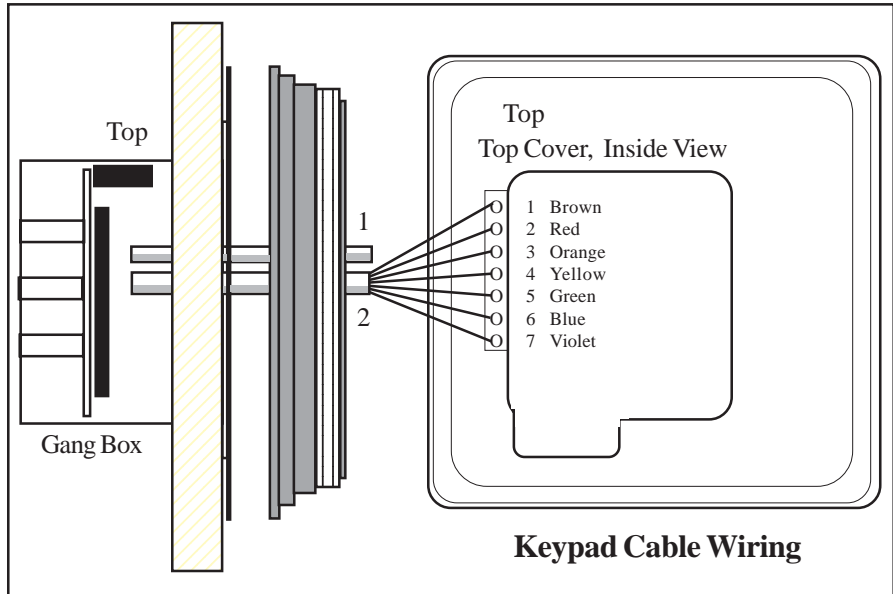
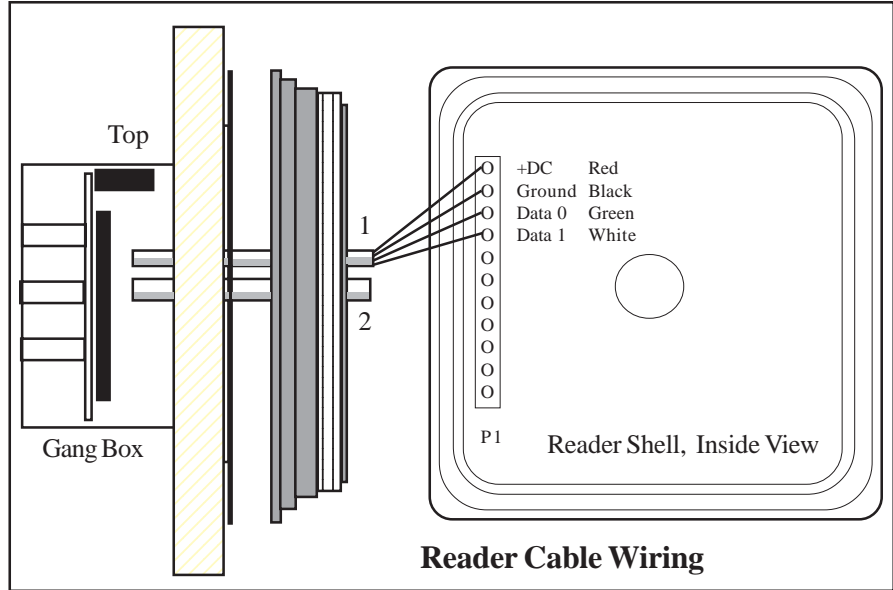
KPR-5355SLG
 This HID ProxPRO card reader is used as a PIN keypad card reader in the following Synergistic access control systems:

- Door Watch
- Building Watch for Windows
- Citadel
- WaPac NT
- WaPac 3

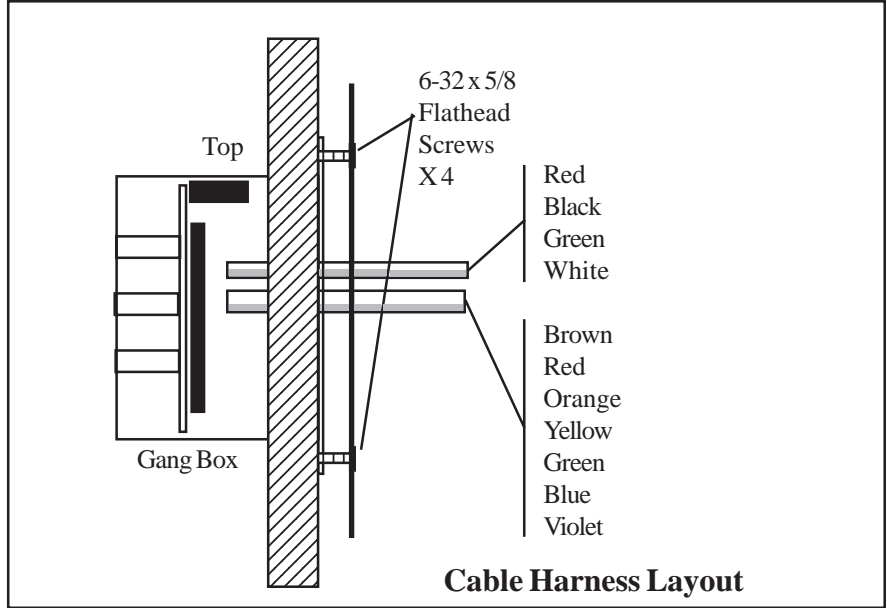
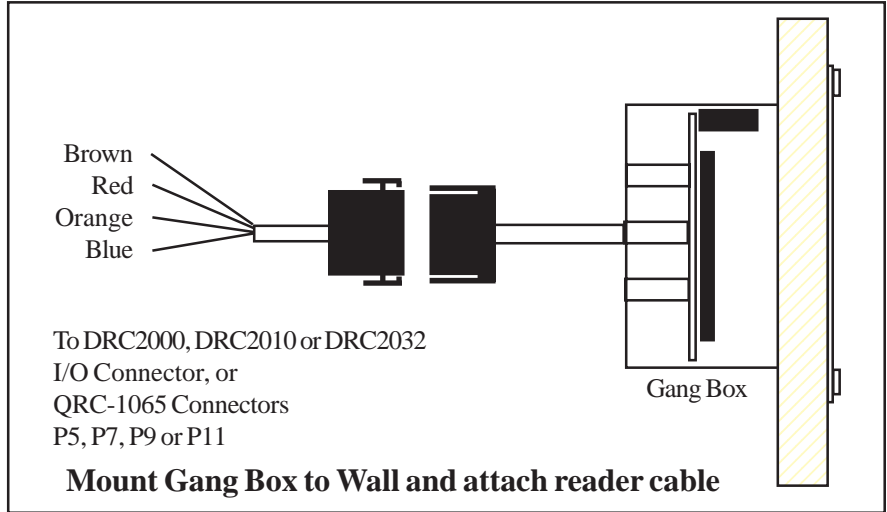
The Synergistics Keypad Processor is added to HID model 5355AGS00 Keypad ProxPRO card reader to properly format the reader interface to the controllers of the above systems. The Keypad Processor is mounted in a dual gang box behind the reader.



**PRODUCT SHEET - KPR5355SLG
PIN Keypad ProxPRO Reader**



**PRODUCT SHEET - KPR5355SLG
PIN Keypad ProxPRO Reader**



**PRODUCT SHEET - KPR5355SLG
PIN Keypad ProxPRO Reader**

Mounting instructions for KPR 5355 SLG keypad proximity reader.

1. Connect matching AMP connector to KPR 5355 SLG reader cable at reader location.
 - 1a At the QRC1065 controller, reader cable will be terminated at connectors P5, P7, P9 and P11 as follows:

Pin 1	Brown
Pin 2	Red
Pin 3	Orange
Pin 7	Blue

- 1b At the DRC2000 or DRC2010 controller, reader cable will be terminated as follows:

(CCLK)	Brown
(CDATA)	Red
(RDRVOLTS)	Blue
(GND)	Orange

2. Mount gang box with reader controller board in wall.
Gang boxes are marked "Top" on one end.
3. Feed 2 cable harnesses through hole and attach black metal coverplate to gang box with 6-32 x 5/8 flathead screws.
Note: mounting holes with beveled edge should face out.
4. Feed two wire harnesses through baseplate of reader and fasten reader to black coverplate with 8-32 x 3/4 screws.
5. Terminate 2 wire harnesses as follows:

	Red	DC+
4 Conductor	Black	Ground
P 1	Green	Data 0
	White	Data 1

	Pin 1	Brown
	Pin 2	Red
7 Conductor	Pin 3	Orange
P 2	Pin 4	Yellow
	Pin 5	Green
	Pin 6	Blue
	Pin 7	Violet

Page 4 of 4

PRODUCT SHEET

HID - MaxiProx Card Reader

MX-5375

Synergistics, Inc.

9 Tech Circle
Natick, MA 01760
Tel (508) 655-1340

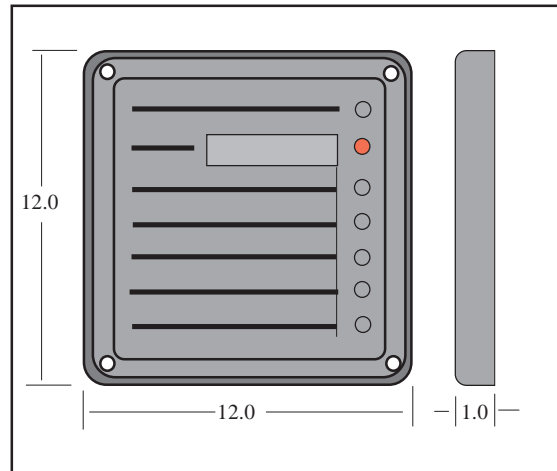
Proximity Reader,

Lighted
Indoor or Outdoor
Wiegand Protocol
Warranty: Lifetime

Specifications:

Typical Read Range

Vehicle ID Tag	30 inches
ProxCard II	24 inches
ISOProx II	16 inches
ProxKey II	12 inches
ProxCard Plus	9 inches



Electrical

Current = 1 A average
1.7 A peak

An external 24VDC power supply is required and supplied by Synergistics with this reader.

Mechanical

Size: 11.8 x 11.8 x 1.0 in.
Weight: 51 oz.
Polycarbonate UL 94

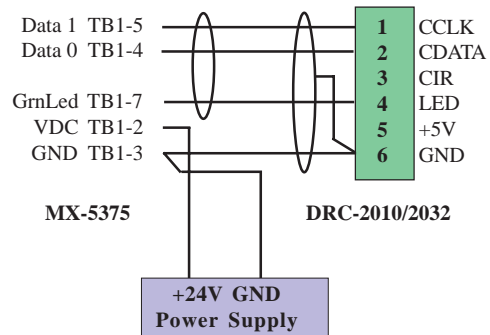
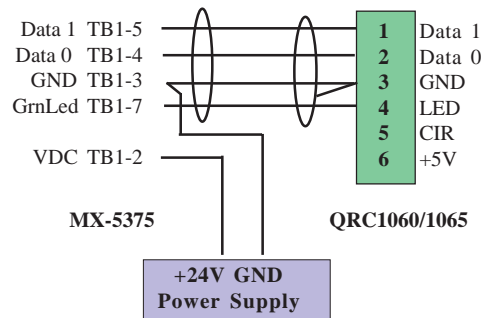
Reader Mounting:

Surface mounting over nonmetallic surface.

Interface: Wiegand
Cable distance Max. 500 ft.
22 AWG, 5 cond., shielded.
Additional wire required for LED and Beeper.
Ref: Belden 8777

Operating Temperature:

-22 deg. to +150 deg F.
95% humidity.



PRODUCT SHEET

HID - Wiegand Swipe Reader

WSR-1057SL

Synergistics, Inc.

9 Tech Circle
Natick, MA 01760
Tel (508) 655-1340

Reader Specifications:

Indoor/Outdoor
Weather proof
Wiegand Swipe Reader

Electrical:

Voltage +5 to +12VDC
Supply Current 30mA.
Output Sink Current 48mA.
Output Source Current 5mA.

Mechanical:

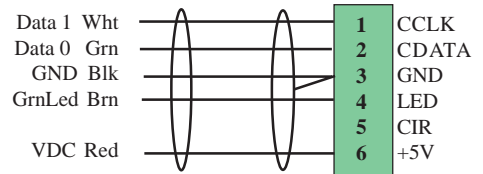
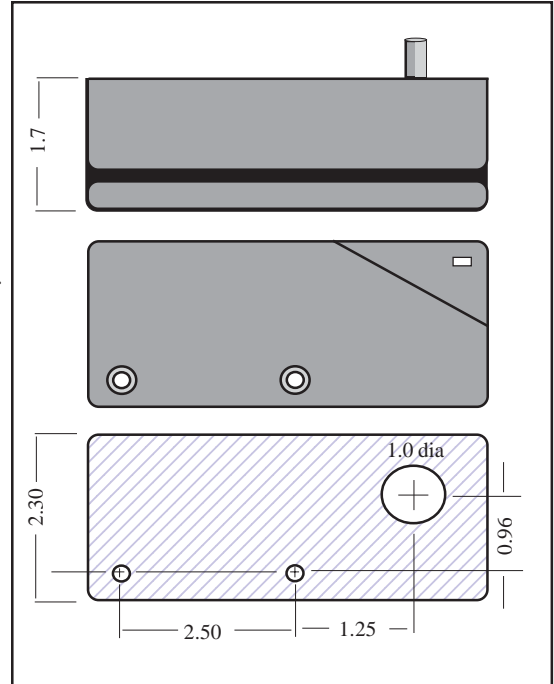
Dimensions: 5.3 x 2.3 x 1.7
Weight: 0.84 lbs.

Environmental:

Temperature:
-40deg to +70 deg C.

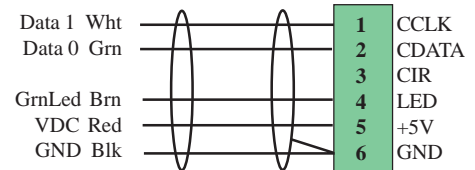
Wiring:

Max. Distance 500ft. using
22 AWG foil shielded cable.
Ref: Belden 8777



SR1057SL

QRC1060/1065



SR1057SL

DRC-2010/2032

w:\prosheet\reader\pdfs\catdr02_37.pdf

10/04

PRODUCT SHEET

HID - Wiegand Key Reader

WKR-1057FL

Synergistics, Inc.

9 Tech Circle
Natick, MA 01760
Tel (508) 655-1340

Reader Specifications:

Indoor/Outdoor
Weather resistant
Wiegand Key Reader

Electrical:

Voltage +5 to +12VDC
Supply Current 30mA.
Output Sink Current 48mA.
Output Source Current 5mA.

Mechanical:

Dimensions: 5.3 x 2.3 x 1.7

Mounting:

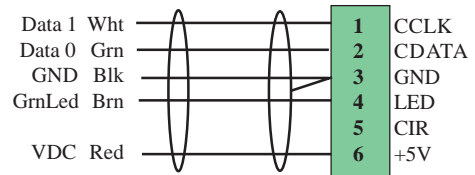
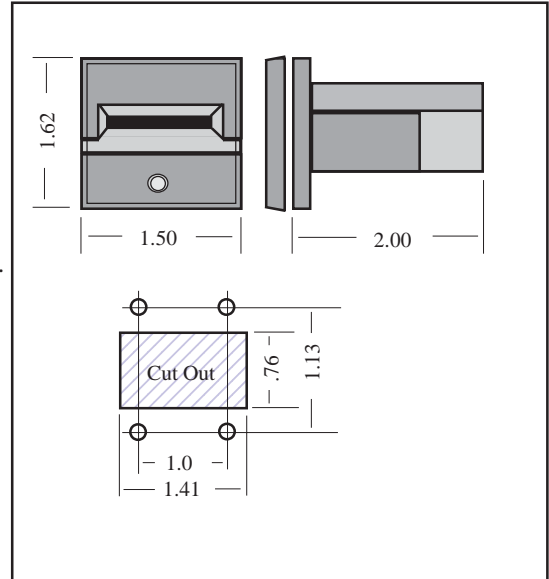
Flush Mounted

Environmental:

Temperature:
-40deg to +70 deg C.

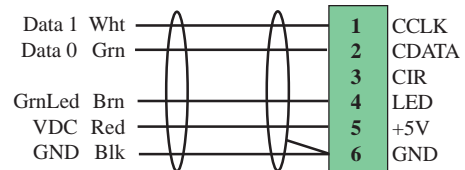
Wiring:

Max. Distance 500ft. using
22 AWG foil shielded cable.



WKR1057FL

QRC1065



WKR1057FL

DRC-2000/2010/2032

PRODUCT SHEET

DCTR-280 Mid Range Read Head

Synergistics, Inc.

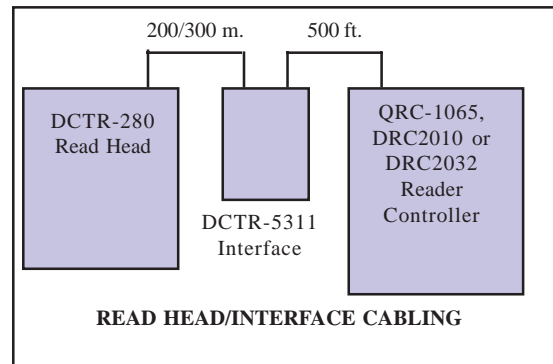
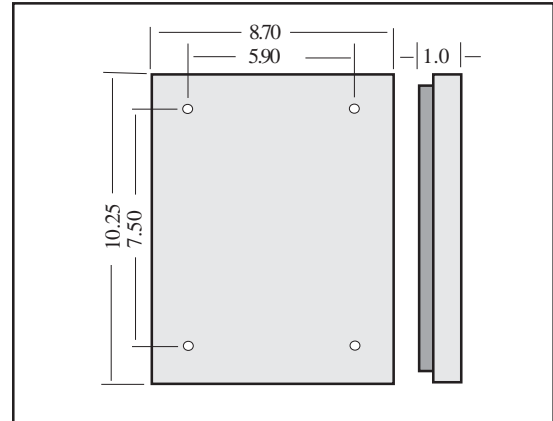
9 Tech Circle
Natick, MA 01760
Tel (508) 655-1340

The **DCTR-280** is a surface mounted, environmental, medium range proximity card reader head which operates with the DCTR-5311 reader interface. This combination allows the user to mount the read head either indoors or outdoors separate from the DCTR-5311 interface.

The wiring distance between the DCTR-5311 and the read head varies with the wire size.
22 AWG = 200m
20 AWG = 300m

Up to a 24 inch read range can be expected for the DCTR-280 read head depending on the environment and location of the read head.

The DCTR-280 is supported by all Synergistics stand alone and computer based access control systems including WaPac, WaPac Tracker and Building Watch access control and asset tracking systems operating on DOS and Windows platforms.



READ HEAD/INTERFACE CABLING

DCTR-280

Size:	260 x 220 x 25 mm
Weight:	0.74 kgm. (1.7 lbs.)
Mounting:	4 #8 wood screws
Construction:	Molded ABS case
Color:	Base: gray. Cover: off white.
Environment:	Indoor/outdoor
Temperature:	-40 deg C to +70 deg C.
Relative Humidity:	0% to 95%
Sealing:	IP44 weatherproof
Cable:	Transmit and Receive: 2 shielded twisted pairs, (Belden 8723 or eq. for 22 AWG).
Cable Termination:	Screw Terminal Block.

PRODUCT SHEET

DCTR-5280 Mid Range Proximity Reader

Synergistics, Inc.

9 Tech Circle
Natick, MA 01760
Tel (508) 655-1340

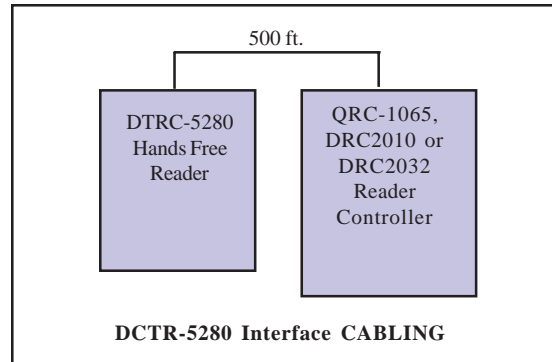
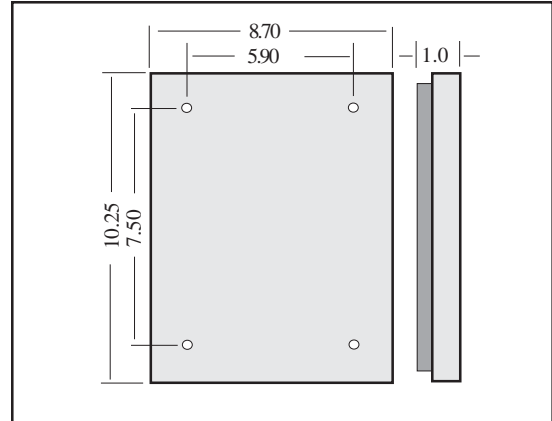
The **DCTR-5280** is a surface mounted, indoor, medium range proximity card reader.

This reader interfaces with QRC-1065, DRC2010 and DRC2032 controllers using a Wiegand interface over a 5 wire cable.

Up to a 27 inch read range can be expected from the DCTR-5280 read head depending on the environment and location of the read head.

The DCTR-5280 is supported by all Synergistics stand alone and computer based access control systems operating on both Windows and DOS platforms.

The DCTR-5280 uses the PTT928 personnel tag, and dual discriminating ATT944 asset tags and ATT942 wrist tags.



DTCR-280

Size:	260 x 220 x 25 mm
Weight:	0.74 kg
Mounting:	4 #8 wood screws
Construction:	Molded ABS case
Color:	Base: gray. Cover: off white.
Power:	12 V @ 130ma to 350ma
Data Out:	Wiegand or mag stripe
Environment:	Indoor/outdoor
Temperature:	-40 deg C to +70 deg C.
Relative Humidity:	0% to 95%
Sealing:	IP44 weatherproof
Cable:	3, 22AWG shielded twisted pairs, (Belden 8777 or equivalent).
Cable Termination:	Screw Terminal Block.

PRODUCT SHEET

DCTR-5311 Mid Range Reader Interface

Synergistics, Inc.

9 Tech Circle
Natick, MA 01760
Tel (508) 655-1340

The **DCTR-5311** is a controller which interfaces the DCTR-280 environmental read head to the reader controller in Building Watch or WaPac access control or asset tracking systems. This allows the read head to be located outdoors. This combination of read head and interface allows the user to mount the read head outdoors separate from the DCTR-5311 interface which must be mounted indoors, out of the weather.

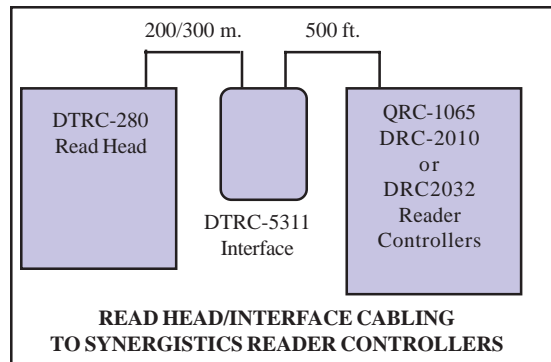
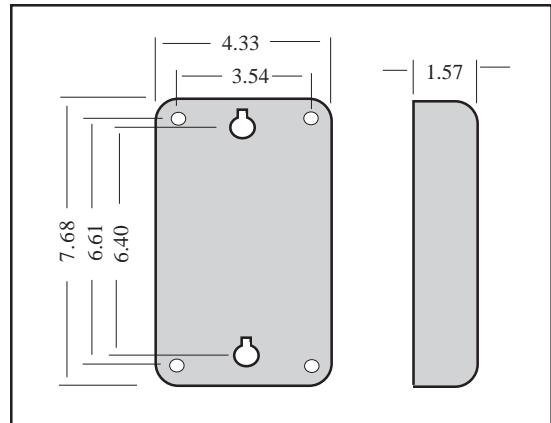
The wiring distance between the DCTR-5311 and the read head depends on wire size.

22 AWG = 200m

20 AWG = 300m

The maximum wiring distance between the DCTR-5311 and the reader controller is 500 feet.

The DCTR-5311 is supported by the WaPac, WaPac Tracker and Building Watch access control and asset tracking systems.



**READ HEAD/INTERFACE CABLING
TO SYNERGISTICS READER CONTROLLERS**

DCTR-5311

Size:	7.68 x 4.33 x 1.57 inches
Weight:	5.0 ounces
Power:	12 V @ 500 mA
Mounting:	2 #8 wood screws
Construction:	Circuit board mounted in ABS case
Color:	gray.
Environment:	Indoor
Temperature:	0 deg C to +50 deg C.
Relative Humidity:	0% to 90% non-condensing
Data:	Wiegand, mag stripe and ASCII.
Cable:	5 wire, 22 AWG, shielded. (Belden 8777 or eq.)
Cable Termination:	Screw Terminals on PCB.

PRODUCT SHEET

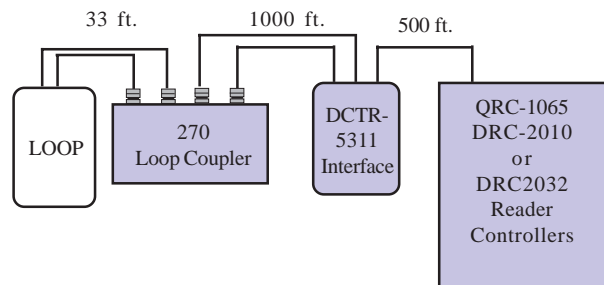
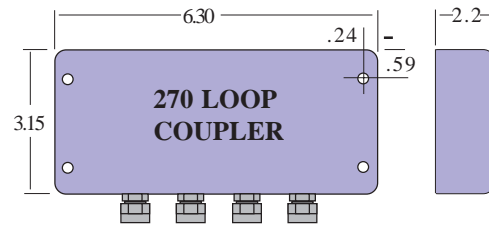
DCTR-270 LOOP COUPLER

Synergistics, Inc.
9 Tech Circle
Natick, MA 01760
Tel (508) 655-1340

A loop antenna will increase the range of mid range readers to between 1.0 and 1.5 meters depending on installation circumstances.

The **DCTR-270** Loop Coupler is used to interface an external loop antenna to the Synergistics reader controller via the DCTR-5311 Reader Interface.

The Loop Coupler may be located up to 300 meters from the DCTR-5311 reader interface, and up to 10m from the loop.



**LOOP COUPLER INTERFACE CABLING
TO SYNERGISTICS READER CONTROLLERS**

DCTR-270

Size:	160 X 80 X 56 mm
Weight:	0.3 kg
Mounting:	4 #6 round head wood screws
Construction:	Sealed polycarbonate box
Color:	light gray
Environment:	Indoor/outdoor
Temperature:	-40 deg C to +60 deg C.
Relative Humidity:	0% to 95%
Cable:	
Loop Antenna	16 or 18 AWG single core cable
Transmit & receive	2 shielded twisted pairs Belden 8723 or equiv.
Cable Termination:	Screw terminal block

PRODUCT SHEET

ACTR-CR1 Extended Range Card Reader

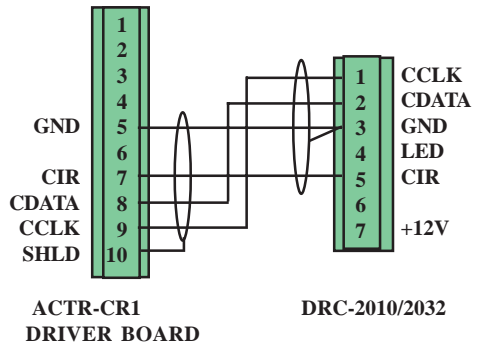
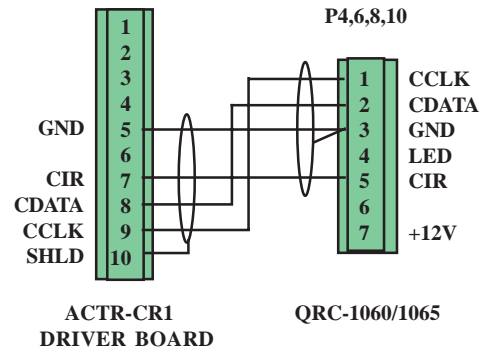
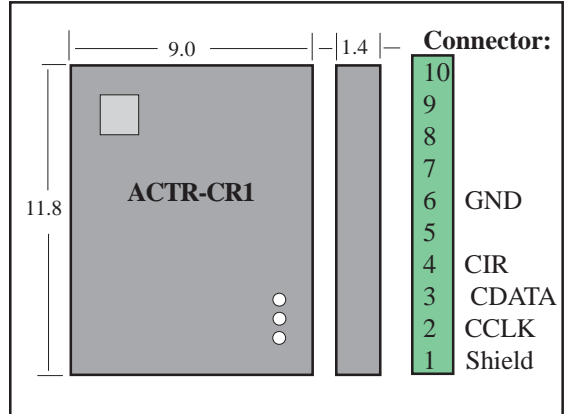
Synergistics, Inc.

9 Tech Circle
Natick, MA 01760
Tel (508) 655-1340

The **ACTR-CR1** is a surface mounted, long range proximity card reader which will detect multiple PT-TC1 and AT-TC2 proximity cards from distances in excess of 40 inches using its internal antenna and over 9 feet using an external antenna loop. This long range reading feature makes the ATCR-1000 an outstanding reader for parking gate activation or hands free reader operation.

A multi-tag reading capability makes the ATCR-CR1 an ideal device for tracking and recording portable assets when supported by WaPac Tracker software.

The reader may be configured to detect the direction that the tag is passing (either in or out of an area) using a double loop antenna and its detection sensing option. The ACTR-CR1 is supported by Building Watch, PcPac, WaPac, WaPac Tracker and all stand alone access control and asset tracking systems.



PRODUCT SHEET

Insertion Card Reader
Bank of America
BOAIR69

Synergistics, Inc.

9 Tech Circle
Natick, MA 01760
Tel (508) 655-1340

BOAIR69:

Insertion Reader
Mag Stripe
Flush Mounted
Environmental
Lighted
Red: status
Green: Door unlocked

Electrical:

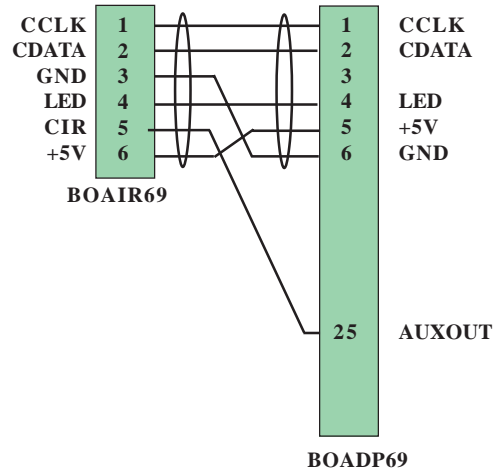
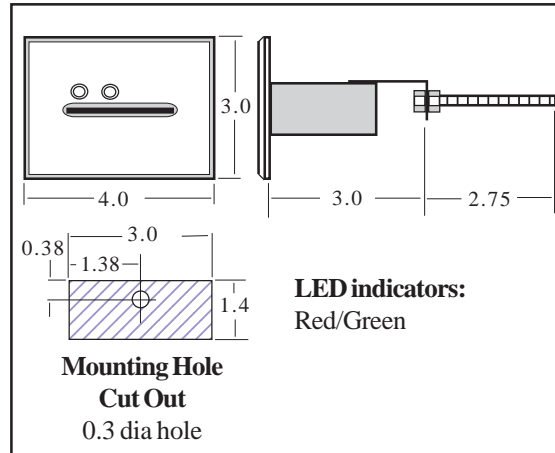
5VDC, 30mA

Mechanical:

Weight, 0.5 lbs.
Color, Silver

Interface:

Cable distance 750ft.
6 wire, 22 AWG,
shielded cable.
Ref: Belden 8777



PRODUCT SHEET

HID - MaxiProx Card Reader

MX-5375

Synergistics, Inc.

9 Tech Circle
Natick, MA 01760
Tel (508) 655-1340

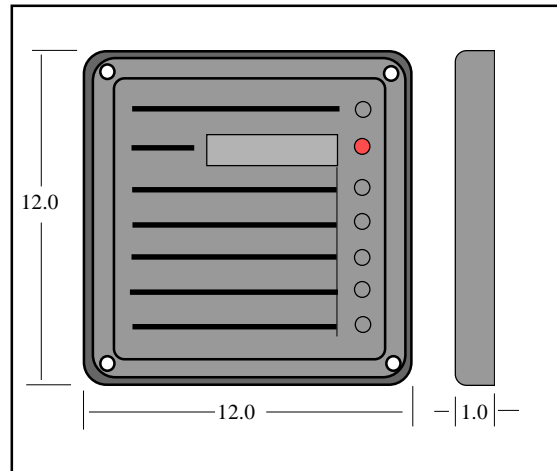
Proximity Reader,

Lighted
Indoor or Outdoor
Wiegand Protocol
Warranty: Lifetime

Specifications:

Typical Read Range

Vehicle ID Tag	30 inches
ProxCard II	24 inches
ISOProx II	16 inches
ProxKey II	12 inches
ProxCard Plus	9 inches



Electrical

Current = 1 A average
1.7 A peak

An external 24VDC power supply is required and supplied by Synergistics with this reader.

Mechanical

Size: 11.8 x 11.8 x 1.0 in.
Weight: 51 oz.
Polycarbonate UL 94

Reader Mounting:

Surface mounting over nonmetallic surface.

Interface: Wiegand

Cable distance Max. 500 ft.
22 AWG, 5 cond., shielded.
Additional wire required for LED and Beeper.
Ref: Belden 8777

Operating Temperature:

-22 deg. to +150 deg F.
95% humidity.

