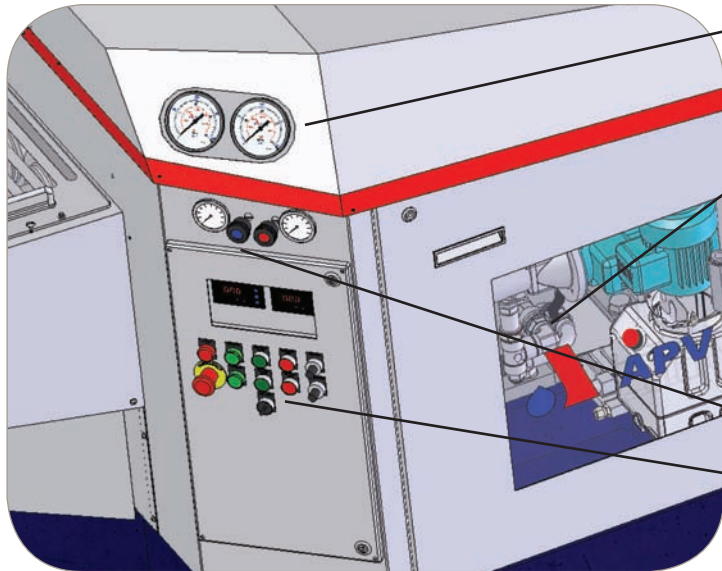


APV Homogenizers

Rannie 110T / Gaulin 110T

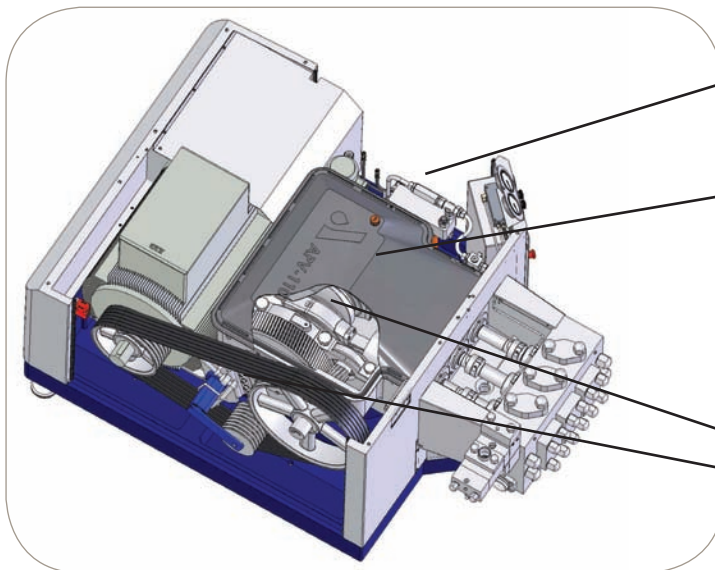
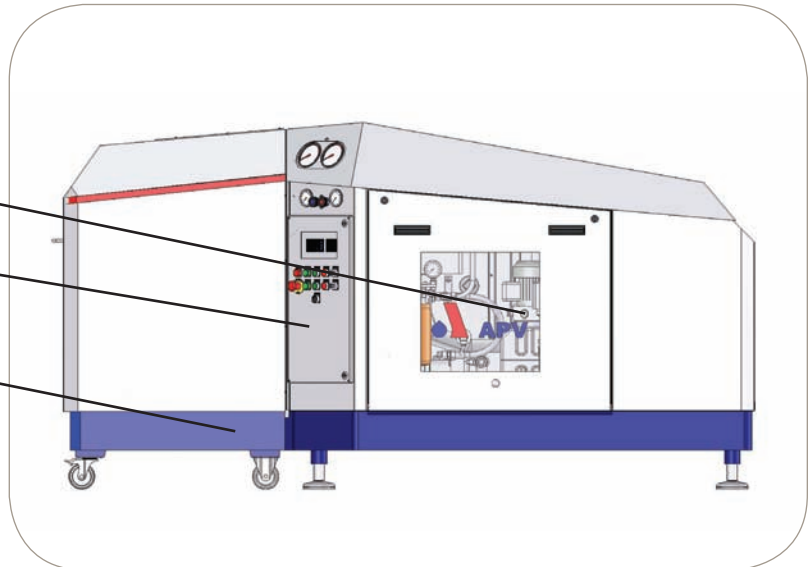


New and Innovative Homogenizer



- **One point of operation**
 - Gauges with capillary tubes placed directly above the controls
 - Direct visibility to points of control
 - All internal indicators placed behind a window pane
- **Oversized plate heat exchanger for low cooling water consumption**
- **External plate heat exchanger with solenoid valve control to reduce water consumption**
- **Mechanical hydraulic valves as standard**
- **Electrical control box to be serviced from the outside**

- **Double-sized 5 micron absolute filter with filter service indicator for improved life of oil**
- **Optional extension for noise reduction of Liquid End**
- **Concrete sub-frame**
 - Noise reduction
 - Vibration dampening
 - Better stability



- **Increased modularity of Liquid End**
 - Interchangeable valve types (XFD, SEO, LW)
 - Interchangeable valve sizes
- **Easy service access (key & snap lock fasteners)**
- **Balanced low speed crankshaft for reduced noise**
- **Increased reliability/reduced service requirement**
 - Internal gear-unit
 - Relief valve as standard
 - Self-adjusting belt tightening

Basic Machine

- The APV 110T homogenizer is a three-plunger, reciprocating pump, fitted with a single-stage homogenizing valve (two-stage optional) with manually adjustable hydraulic actuators.
- The APV 110T incorporates a durable slow-speed Power End in a low and compact design, mounted on a concrete sub-frame that reduces vibrations and noise.
- One point of control and direct visibility to all internal and external indicators, combined with easy access to all service areas, saves time and money by simplifying inspection and reducing maintenance to a minimum.
- The new, more modular and flexible design of the APV 110T makes it suitable for a wide range of applications and valve types. Homogenizing valves can easily be changed in order to accommodate different types of product and/or capacities on the same homogenizer.
- Liquid End options include the Rannie three-piece valve housing and the Gaulin mono-block design, both available with a choice of valves, plungers, and packings according to your requirements.
- Design features of Rannie, Gaulin, and the new Power End simplify routine maintenance with emphasis on reliability and sturdiness in order to reduce total costs of ownership.

The Liquid End Includes

- Pressure gauge
- Pressure relief valve
- Weld-stub product connections

The Power End Includes

- Internal gear and self-adjusting belt tightening
- External plate heat exchanger with temperature transmitter

The Instrumentation Includes

- All equipment wired to stainless steel control cabinet (IP69K)
- Start/stop buttons and emergency stop

Standard Options

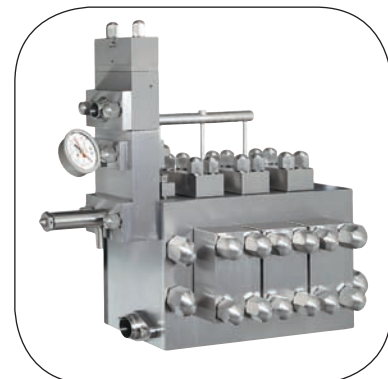
- 2nd stage homogenizing valve with hydraulic or manual actuation
- Potentiometer-controlled electrical valves for hydraulic actuators
- Remote Kit including 4-20mA output for product pressure, controllers for automatic pressure control and oil-filter alarm switch
- Plunger lubrication control package including flow switch and solenoid valve
- Inlet pressure gauge with low pressure switch
- Aseptic cylinder design
- High-pressure outlet connections
- Pulsation dampener(s): inlet and outlet
- Micro-Gap homogenizing valve for increased homogenizing efficiency
- Motor starter
- Low-noise insulation of Power End and extension for Liquid End as add-on kit
- Ventilators for very hot environments
- Plungers in stainless steel, ceramic, chromium coated or hard metal
- Choice of materials for cylinder block, pump valves, homogenizing valves, packings, etc.

Rannie / Three-Piece Valve Housing Max. Capacity/Pressure Poppet or Ball Valves					
Model	Type	Cap. l/h	Cap. g/h	Press. bar	Press. psi.
Rannie 110	T35	2500	660	1000	14500
Rannie 110	T40	3500	924	800	11600
Rannie 110	T45	5000	1320	600	8700
Rannie 110	T54	7500	1980	400	5800
Rannie 110	T65	10000	2640	300	4350
Rannie 110	T70	12000	3168	250	3625
Rannie 110	T75	14000	3696	210	3000
Rannie 110	T85	18000	4752	170	2465
Rannie 110	T90	21000	5544	150	2175

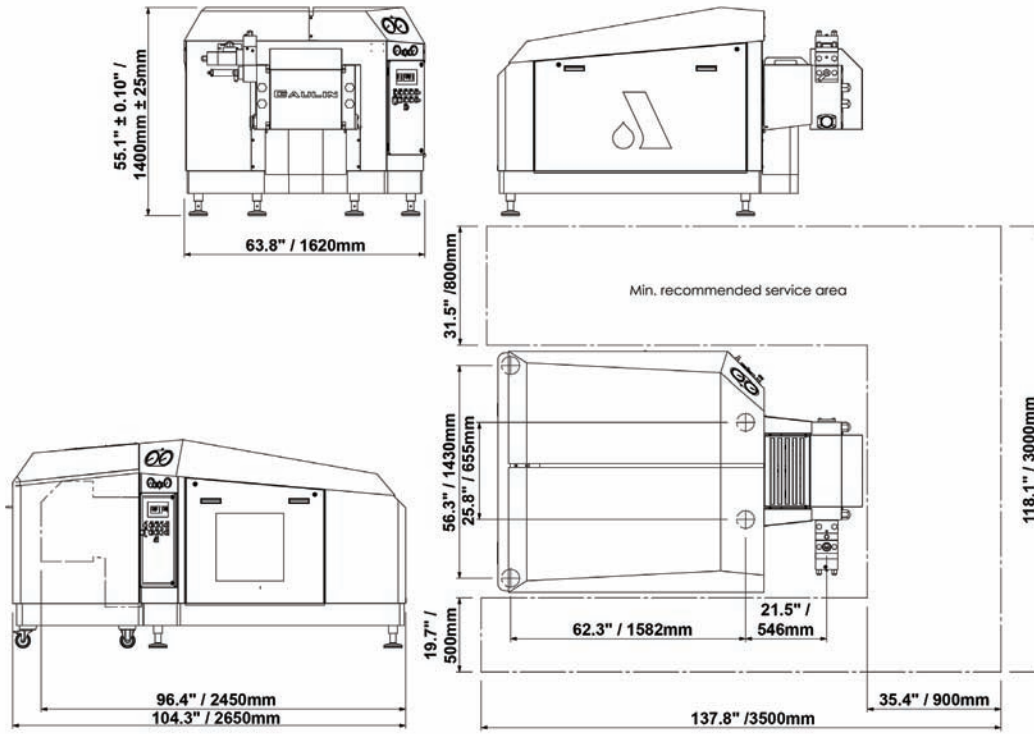


Rannie Three-Piece Valve Housing

Gaulin / Mono-Block Valve Housing Max. Capacity/Pressure Poppet or Ball Valves					
Model	Type	Cap. l/h	Cap. g/h	Press. bar	Press. psi.
Gaulin 110	T45	5000	1320	600	8700
Gaulin 110	T54	7500	1980	400	5800
Gaulin 110	T65	10000	2640	300	4350
Gaulin 110	T70	12000	3168	250	3625
Gaulin 110	T75	14000	3696	210	3000
Gaulin 110	T85	18000	4752	170	2465
Gaulin 110	T90	21000	5544	150	2175

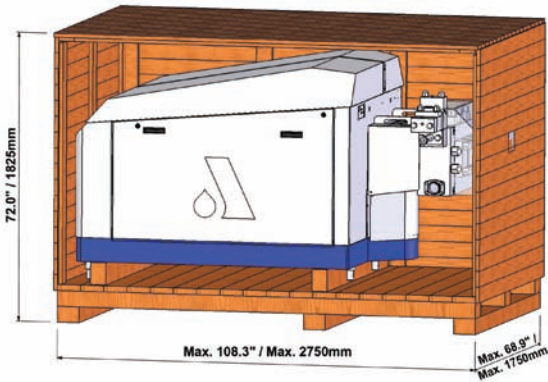


Gaulin Mono-Block Valve Housing



Dimensions	Length	Width	Height	Weight (incl. motor)
Standard Machine	2450 mm / 97"	1620 mm / 64"	1450 mm / 57"	3800 kgs / 8378 lbs
Width Extension	2650 mm / 105"	1620 mm / 64"	1450 mm / 57"	+ 350 kgs / 772 lbs
Packed in crate	2750 mm / 108"	1750 mm / 69"	1825 mm / 72"	+ 380 kgs / 838 lbs

Cubic measure of crating: 8.3 m³



Your local contact:



SPX Flow Technology
 Phone: (888) 278-4321
 Email: answers.us@apv.com

For more information about our worldwide locations, approvals, certifications, and local representatives, please visit www.apv.com.

SPX Corporation reserves the right to incorporate our latest design and material changes without notice or obligation. Design features, materials of construction and dimensional data, as described in this bulletin, are provided for your information only and should not be relied upon unless confirmed in writing.