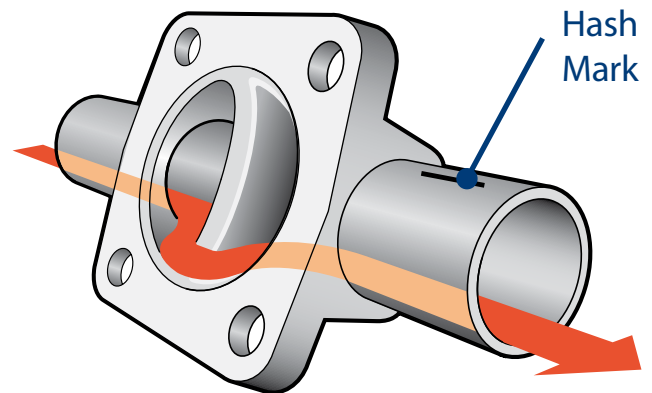


Saunders[®] 2-Way Forgings Optimum Drain Angles

Saunders[®] 2-way bodies fully drain in the horizontal orientation when installed at proper drain angle.

When positioned in the self drain angle, the low points of the tube bore, D-Ports, and weir are in the same plane, allowing fluid to drain out of the valve body.

To facilitate proper installation, Saunders[®] 2-way bodies are marked with drain angle on tube bore. When the marking is located at the 12 o'clock position, the body is at its drain angle.



Saunders® 2-Way Forgings Optimum Drain Angles

Forged 2-Way Body Drain Angles Tube OD (ASME BPE)

Valve Size		Outside Diameter		Inside Diameter		Drain Angle
mm	inch	mm	inch	mm	inch	Degrees
DN8	0.25	6.35	0.25	3.05	0.12	35
DN8 (DN10 End)	0.25 (0.375 End)	9.35	0.38	6.23	0.25	27
DN8 (DN15 End)	0.25 (0.50 End)	12.7	0.5	9.4	0.37	19
DN15	0.5	12.7	0.5	9.4	0.37	41
DN20	0.75	19.05	0.75	15.75	0.62	32
DN25	1	25.4	1	22.1	0.87	30
DN40	1.5	38.1	1.5	34.8	1.37	25
DN50	2	50.9	2	47.5	1.87	24
DN65	2.5	63.5	2.5	60.2	2.37	19
DN80	3	76.2	3	72.9	2.87	24

Drain angle tolerance is +/- 2 degrees for optimum drainability.

Forged 2-Way Body Drain Angles DIN Tube

Valve Size mm	Outside Diameter mm	Inside Diameter mm	Drain Angle Degrees
DN8 (DN10 End)	13	10	20
DN15 (DN10 End)	13	10	31
DN15	19	16	25
DN20	23	20	26
DN25	29	26	17
DN40 (DN32 End)	35	32	27
DN40	41	38	22
DN50	53	50	20
DN65	70	66	18
DN80	85	81	21

Sizes DN8-50 DIN Series 2.

Sizes DN65-80 DIN Series 1.

Drain angle tolerance is +/- 2 degrees for optimum drainability.

The optimum drain angle varies by valve size and piping specification. Refer to specific data sheets for drain angles of other piping specifications including Tube OD and Schedule Pipe.

Saunders® full portfolio of drawing data can be accessed at www.saundersdrawings.com in both 2D and 3D file format for dimensions and drain angles of Saunders® BioPharm valves.

The slope of process piping must be designed to facilitate optimum drainability.

Drainability in a process system is the responsibility of the system designer and end user.

Forged 2-Way Body Drain Angles ISO Tube

Valve Size mm	Outside Diameter mm	Inside Diameter mm	Drain Angle Degrees
DN8	13.5	10.3	20
DN15 (DN10 End)	17.2	14	25
DN15	21.3	18.1	19
DN20	26.9	23.7	21
DN25	33.7	29.7	12
DN40 (DN32 End)	42.4	38.4	22
DN40	48.3	44.3	17
DN50	60.3	55.1	16
DN65	76.1	70.9	14
DN80	88.9	83.7	20

Drain angle tolerance is +/- 2 degrees for optimum drainability.



CSI

417.831.1411
csidesigns.com

CRANE

IMPORTANT: CRANE Co. and its subsidiaries are not responsible for the accuracy, compliance, and legality of material contained in this datasheet offered in print, on the company websites, or via any external links, or third party sites.