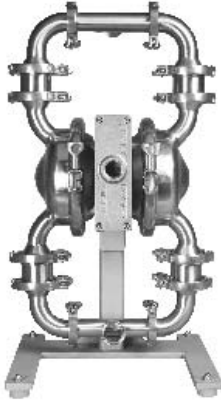




PV4 HYGIENIC SERIES METAL PUMP

38 mm (1-1/2") Pump
Maximum Flow Rate:
352 LPM (93 GPM)



PUMP DATA

Specifications:

Height: 759 mm (29.9")
Width: 447 mm (17.6")
Depth: 363 mm (14.3")
Air Inlet: 19 mm (3/4" FNPT)
Liquid Inlet: 38 mm (1-1/2")
Liquid Outlet: 38 mm (1-1/2")

Wetted Material:

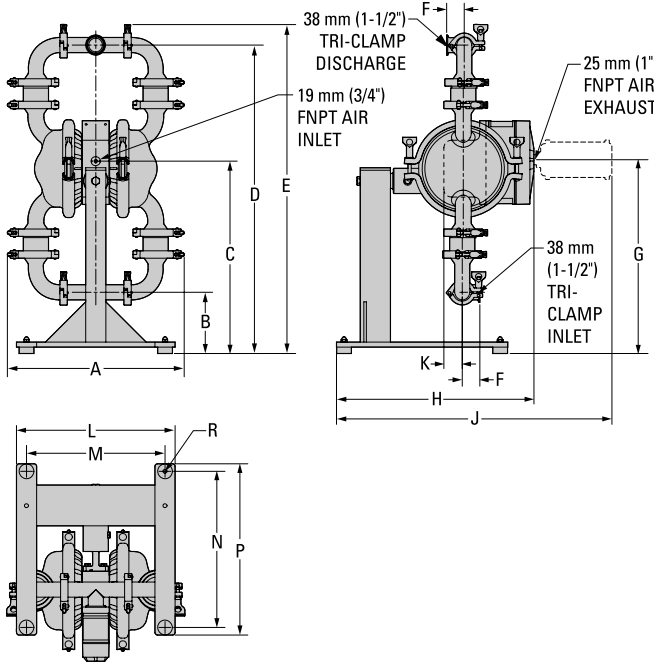
Stainless Steel: 51 kg (112 lbs)

Temperature Limits:

Nylon -17.8°C to 93.3°C 0°F to 200°F
Neoprene -17.8°C to 93.3°C 0°F to 200°F
Buna-N -12.2°C to 82.2°C 10°F to 180°F
Nordel® -51.1°C to 137.8°C -60°F to 280°F
Viton® -40°C to 176.7°C -40°F to 350°F
Wil-Flex™ -40°C to 107.2°C -40°F to 225°F
Polyurethane 12.2°C to 65.6°C 10°F to 150°F
Saniflex™ -28.9°C to 104.4°C -20°F to 220°F
PTFE -28.9°C to 148.9°C -20°F to 300°F

PERFORMANCE

Max. Flow: Rubber/TPE 352 lpm (93 gpm)
PTFE 284 lpm (75 gpm)
Max. Pressure: 8.6 bar (125 psig)
Max. Solids Passage: 6.4 mm (1/4")
Max. Suction Lift (wet): Rubber/TPE 9.3 m (30.6')
PTFE 9.3 m (30.6')
(dry): Rubber/TPE 5.5 m (18.2')
PTFE 3.3 m (10.9')



ITEM	METRIC (mm)	STANDARD (inch)	ITEM	METRIC (mm)	STANDARD (inch)
A	447	17.6	J	693	27.3
B	155	6.1	K	46	1.8
C	485	19.1	L	401	15.8
D	777	30.6	M	351	13.8
E	831	32.7	N	394	15.5
F	46	1.8	P	432	17.0
G	488	19.2	R	∅10	∅0.4
H	498	19.6			

