



800.654.5635
www.csidesigns.com

WILDEN[®]
A DOVER COMPANY

Spec Sheet

PROFLO V[™]
PROGRESSIVE PUMP TECHNOLOGY

PV15 HYGIENIC METAL PUMP

76 mm (3") Pump
Maximum Flow Rate:
867 LPM (229 GPM)



PUMP DATA

Specifications:

Height: 1204 mm (47.4")
Width: 602 mm (23.7")
Depth: 363 mm (14.3")
Air Inlet: 19 mm (3/4" FNPT)
Liquid Inlet: 76 mm (3")
Liquid Outlet: 76 mm (3")

Wetted Material:

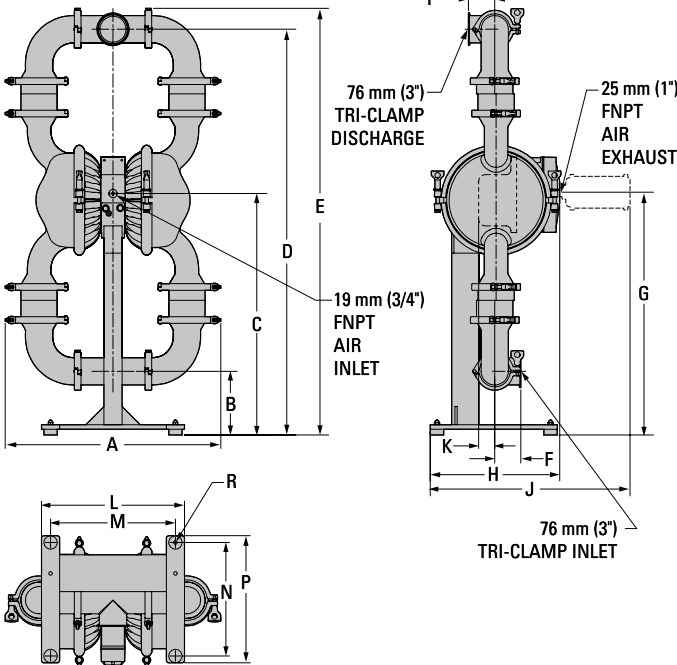
316L Stainless Steel: 98 kg (216 lbs)

Temperature Limits:

Nylon -17.8°C to 93.3°C 0°F to 200°F
Neoprene -17.8°C to 93.3°C 0°F to 200°F
Buna-N -12.2°C to 82.2°C 10°F to 180°F
Nordel[®] -51.1°C to 137.8°C -60°F to 280°F
Viton[®] -40°C to 176.7°C -40°F to 350°F
Wil-Flex[™] -40°C to 107.2°C -40°F to 225°F
Polyurethane 12.2°C to 65.6°C 10°F to 150°F
Saniflex[™] -28.9°C to 104.4°C -20°F to 220°F
PTFE -28.9°C to 148.9°C -20°F to 300°F

PERFORMANCE

Max. Flow: Rubber/TPE 867 lpm (229 gpm)
PTFE 651 lpm (172 gpm)
Max. Pressure: 8.6 bar (125 psig)
Max. Solids Passage: 76.2 mm (3")
Max. Suction Lift (wet): Rubber/TPE 8.9 m (29.5')
PTFE 8.7 m (28.4')
(dry): Rubber/TPE 4.5 m (14.8')
PTFE 3.1 m (10.2')



| ITEM | METRIC (mm) | STANDARD (inch) | ITEM | METRIC (mm) | STANDARD (inch) |
|------|-------------|-----------------|------|-------------|-----------------|
| A | 602 | 23.7 | J | 559 | 22.0 |
| B | 178 | 7.0 | K | 46 | 1.8 |
| C | 676 | 26.6 | L | 401 | 15.8 |
| D | 1135 | 44.7 | M | 351 | 13.8 |
| E | 1194 | 47.0 | N | 318 | 12.5 |
| F | 74 | 2.9 | P | 356 | 14.0 |
| G | 678 | 26.7 | R | ø10 | ø0.4 |
| H | 363 | 14.3 | | | |

