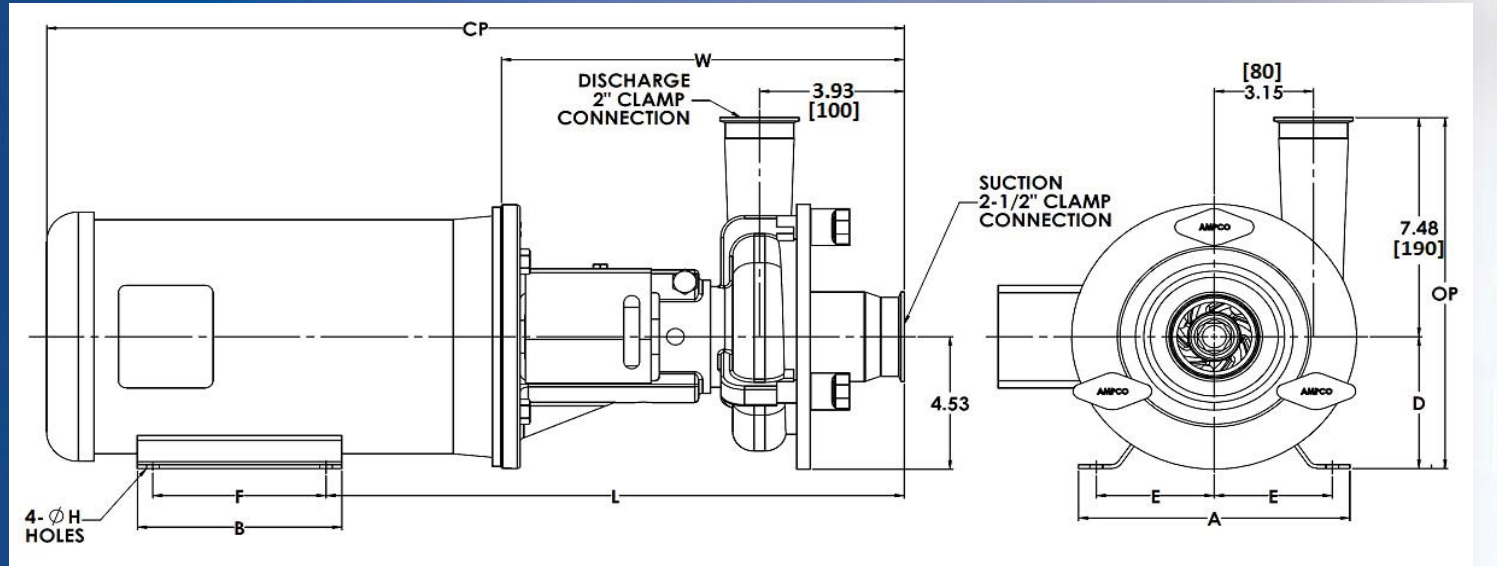


# Ampco Blenders

DATA SHEET

MODEL SB-V521	2 1/2 x 2
MODEL SB-V522	2 1/2 x 2
MODEL SBH-V521	2 1/2 x 2
MODEL SBH-V522	2 1/2 x 2
MODEL SBI-V521	2 1/2 x 2
MODEL SBI-V522	2 1/2 x 2



LEG KIT OPTIONAL

TEFC MOTOR			DIMENSIONS IN INCHES MILLIMETERS (For Reference Only)										APPROX WEIGHT
HP	RPM	FRAME	A (typ)	B (typ)	D	E	F	ØH	L	W	CP	OP	LBS Kg
1 HP	1750	143TC	6 1/2	6	3 1/2	2 3/4	4	11/32	13.81	10.93	22.10	10.98	86
			165	152	89	70	102	9	351	278	561	279	39
1 1/2 HP	1750	145TC	6 1/2	6	3 1/2	2 3/4	5	11/32	13.81	10.93	22.10	10.98	92
			165	152	89	70	127	9	351	278	561	279	42
2 HP	1750	145TC	6 1/2	6	3 1/2	2 3/4	5	11/32	13.81	10.93	22.10	10.98	95
			165	152	89	70	127	9	351	278	561	279	43
5 HP	3500	184TC	8 5/8	6 1/2	4 1/2	3 3/4	5 1/2	13/32	16.25	12.85	26.56	11.98	127
			219	165	114	95	140	10	413	326	675	304	58
7 1/2 HP	3500	184TC	8 5/8	6 1/2	4 1/2	3 3/4	5 1/2	13/32	16.25	12.85	26.56	11.98	145
			219	165	114	95	140	10	413	326	675	304	66
10 HP	3500	215TC	9 1/2	8	5 1/4	4 1/4	7	13/32	17.13	12.85	29.26	12.73	179
			241	203	133	108	178	10	435	326	743	323	81
15 HP	3500	215TC	9 1/2	8	5 1/4	4 1/4	7	13/32	17.13	12.85	29.26	12.73	219
			241	203	133	108	178	10	435	326	743	323	100

## MATERIAL SPECIFICATIONS

PART NAME	STAINLESS STEEL
Casing, Cover & Impeller	316L Stainless
Stub Shaft	316L Stainless
Adapter	304 Stainless

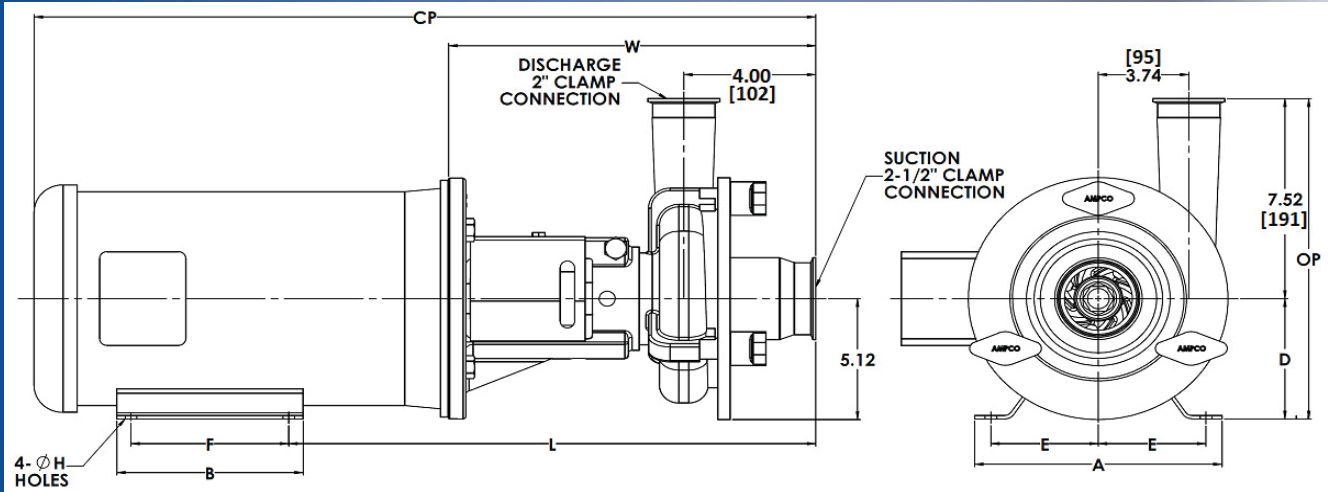
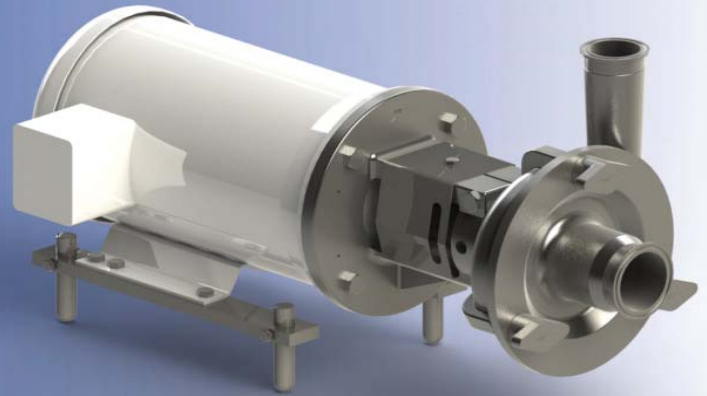


**CSI** 417.831.1411  
csidesigns.com

# Ampco Blenders

DATA SHEET

MODEL SB-V531	2½ x 2
MODEL SB-V532	2½ x 2
MODEL SBH-V531	2½ x 2
MODEL SBH-V532	2½ x 2
MODEL SBI-V531	2½ x 2
MODEL SBI-V532	2½ x 2



LEG KIT OPTIONAL

TEFC MOTOR			DIMENSIONS IN INCHES MILLIMETERS (For Reference Only)										APPROX WEIGHT
HP	RPM	FRAME	A (typ)	B (typ)	D	E	F	ØH	L	W	CP	OP	LBS Kg
1 HP	1750	143TC	6 1/2	6	3 1/2	2 3/4	4	11/32	13.81	10.93	22.10	11.02	92
			165	152	89	70	102	9	351	278	561	280	42
1½ HP	1750	145TC	6 1/2	6	3 1/2	2 3/4	5	11/32	13.81	10.93	22.10	11.02	98
			165	152	89	70	127	9	351	278	561	280	45
2 HP	1750	145TC	6 1/2	6	3 1/2	2 3/4	5	11/32	13.81	10.93	22.10	11.02	101
			165	152	89	70	127	9	351	278	561	280	46
3 HP	1750	182TC	8 5/8	6 1/2	4 1/2	3 3/4	4 1/2	13/32	16.25	12.84	26.56	12.02	131
			219	165	114	95	114	10	413	326	675	305	60
5 HP	1750	184TC	8 5/8	6 1/2	4 1/2	3 3/4	5 1/2	13/32	16.25	12.84	26.56	12.02	138
			219	165	114	95	140	10	413	326	675	305	63
5 HP	3500	184TC	8 5/8	6 1/2	4 1/2	3 3/4	5 1/2	13/32	16.25	12.84	26.56	12.02	188
			219	165	114	95	140	10	413	326	675	305	85
7½ HP	3500	184TC	8 5/8	6 1/2	4 1/2	3 3/4	5 1/2	13/32	16.25	12.84	26.56	12.02	198
			219	165	114	95	140	10	413	326	675	305	90
10 HP	3500	215TC	9 1/2	8	5 1/4	4 1/4	7	13/32	17.12	12.84	29.26	12.77	313
			241	203	133	108	178	10	435	326	743	324	142
15 HP	3500	215TC	9 1/2	8	5 1/4	4 1/4	7	13/32	17.12	12.84	29.26	12.77	334
			241	203	133	108	178	10	435	326	743	324	152
20 HP	3500	256TC	11 1/2	11 1/2	6 1/4	5	10	17/32	17.62	12.84	32.19	13.77	376
			292	292	159	127	254	13	448	326	818	350	171
25HP	3500	284TSC	12 3/4	12 3/4	7	5 1/2	9 1/2	17/32	18.01	13.25	34.72	14.52	469
			324	324	178	140	241	13	458	337	882	369	213

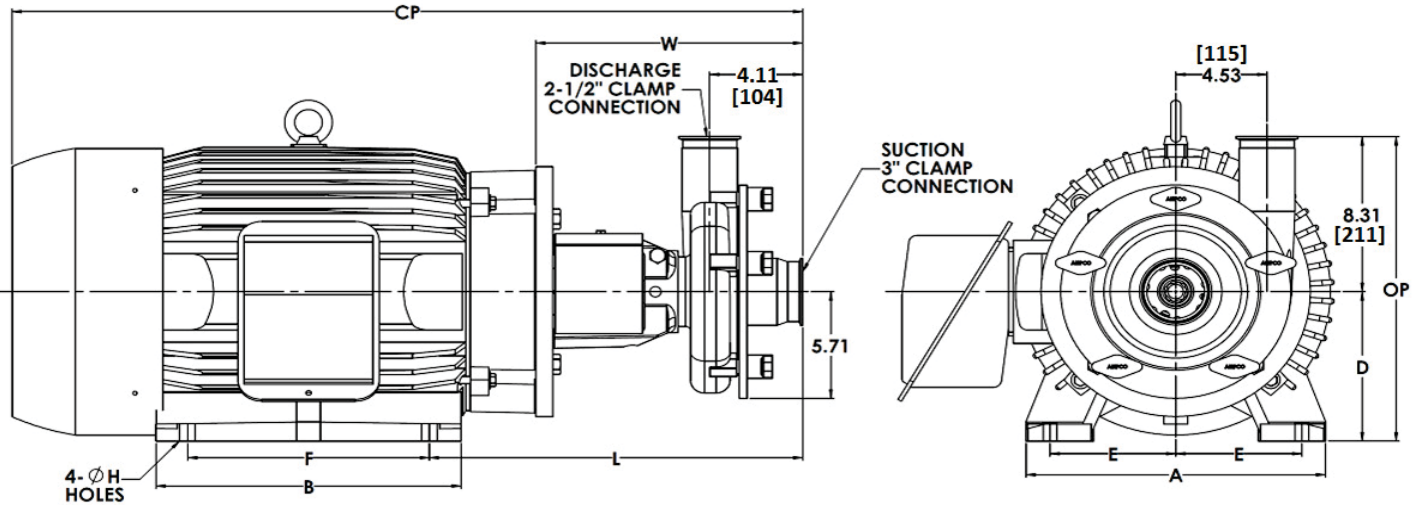
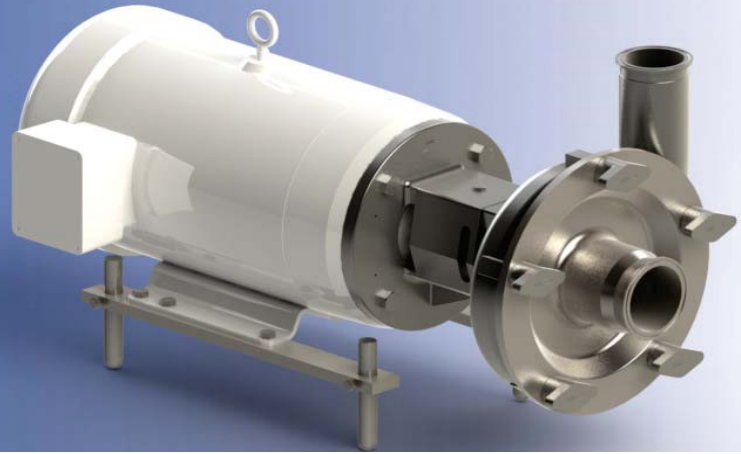
## MATERIAL SPECIFICATIONS

PART NAME	STAINLESS STEEL
Casing, Cover & Impeller	316L Stainless
Stub Shaft	316L Stainless
Adapter	304 Stainless

# Ampco Blenders

DATA SHEET

MODEL SB-V541	3 x 2½
MODEL SB-V542	3 x 2½
MODEL SBH-V541	3 x 2½
MODEL SBH-V542	3 x 2½
MODEL SBI-V541	3 x 2½
MODEL SBI-V542	3 x 2½



TEFC MOTOR			DIMENSIONS IN INCHES MILLIMETERS (For Reference Only)										APPROX WEIGHT
HP	RPM	FRAME	A (typ)	B (typ)	D	E	F	ØH	L	W	CP	OP	LBS Kg
2 HP	1750	145TC	6 1/2	6	3 1/2	2 3/4	5	11/32	13.81	10.93	22.10	11.81	117
			165	152	89	70	127	9	351	278	561	300	53
3 HP	1750	182TC	8 5/8	6 1/2	4 1/2	2 3/4	4 1/2	13/32	16.25	12.84	26.56	12.81	147
			219	165	114	70	114	10	413	326	675	325	67
5	1750	184TC	8 5/8	6 1/2	4 1/2	3 3/4	5 1/2	13/32	16.25	12.84	26.56	12.81	154
			219	165	114	95	140	10	413	326	675	325	70
7½ HP	1750	213TC	9 1/2	8	5 1/4	4 1/4	5 1/2	13/32	17.12	12.84	29.26	13.56	205
			241	203	133	108	140	10	435	326	743	344	93
10 HP	3500	215TC	9 1/2	8	5 1/4	4 1/4	7	13/32	17.12	12.84	29.26	13.56	201
			241	203	133	108	178	10	435	326	743	344	91
15 HP	3500	215TC	9 1/2	8	5 1/4	4 1/4	7	13/32	17.12	12.84	29.26	13.56	241
			241	203	133	108	178	10	435	326	743	344	110
20 HP	3500	256TC	11 1/2	11 1/2	6 1/4	5	10	17/32	17.62	12.84	32.19	14.56	368
			292	292	159	127	254	13	448	326	818	370	167
25 HP	3500	284TSC	12 3/4	12 3/4	7	5 1/2	9 1/2	17/32	18.01	13.25	34.72	15.31	461
			324	324	178	140	241	13	458	337	882	389	210
30 HP	3500	286TSC	12 3/4	12 3/4	7	5 1/2	11	17/32	18.01	13.25	34.72	15.31	483
			324	324	178	140	279	13	458	337	882	389	220
40 HP	3500	324TSC	14 1/2	14	8	6 1/4	10 1/2	21/32	18.01	13.25	38.40	16.31	597
			368	356	203	159	267	17	458	337	975	414	271
50 HP	3500	326TSC	14 1/2	14	8	6 1/4	12	21/32	18.51	13.25	38.40	16.31	706
			368	356	203	159	305	17	470	337	975	414	321

## MATERIAL SPECIFICATIONS

PART NAME	STAINLESS STEEL
Casing, Cover & Impeller	316L Stainless
Stub Shaft	316L Stainless
Adapter	304 Stainless

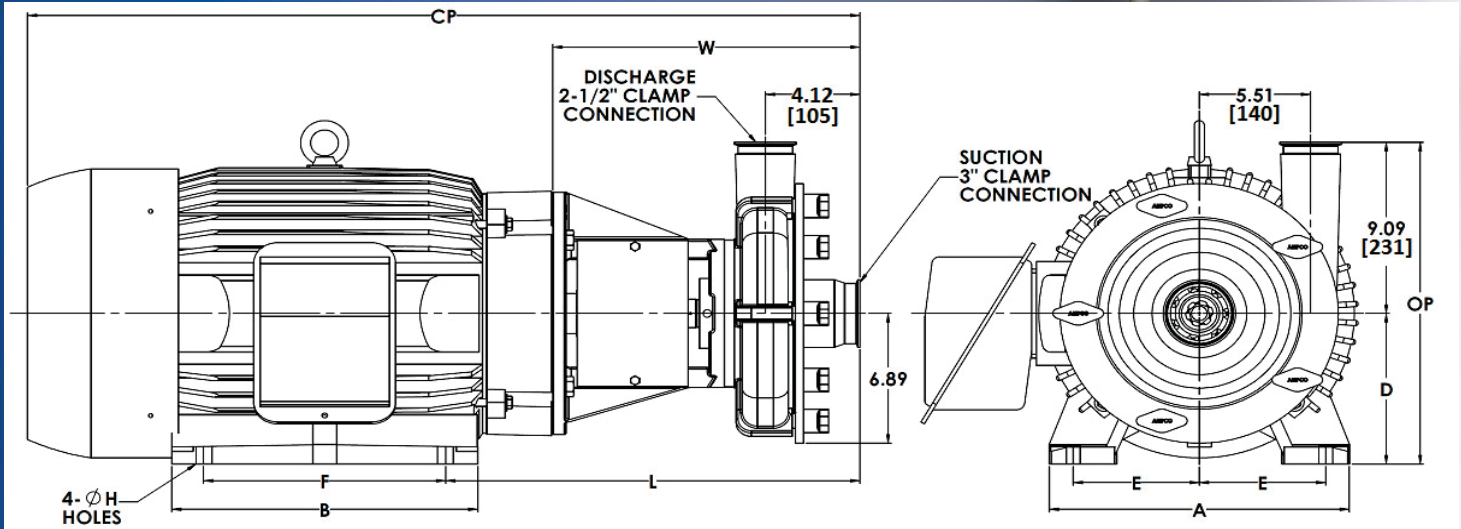


**CSI** 417.831.1411  
csidesigns.com

# Ampco Blenders

DATA SHEET

MODEL SB-V551	3 x 2½
MODEL SB-V552	3 x 2½
MODEL SBH-V551	3 x 2½
MODEL SBH-V552	3 x 2½
MODEL SBI-V551	3 x 2½
MODEL SBI-V552	3 x 2½



TEFC MOTOR			DIMENSIONS IN INCHES MILLIMETERS (For Reference Only)										APPROX WEIGHT
HP	RPM	FRAME	A (typ)	B (typ)	D	E	F	ØH	L	W	CP	OP	LBS Kg
5	1750	184TC	8 5/8	6 1/2	4 1/2	3 3/4	5 1/2	13/32	16.43	13.03	26.74	13.59	199
			219	165	114	95	140	10	417	331	679	345	90
7½ HP	1750	213TC	9 1/2	8	5 1/4	4 1/4	5 1/2	13/32	17.31	13.03	29.44	14.34	249
			241	203	133	108	140	10	440	331	748	364	113
10 HP	1750	215TC	9 1/2	8	5 1/4	4 1/4	7	13/32	17.31	13.03	29.44	14.34	259
			241	203	133	108	178	10	440	331	748	364	118
15 HP	1750	254TC	11 1/2	11 1/2	6 1/4	5	8 1/4	17/32	17.81	13.03	32.38	15.34	371
			292	292	159	127	210	13	452	331	822	390	169
20 HP	1750	256TC	11 1/2	11 1/2	6 1/4	5	10	17/32	17.81	13.03	32.38	15.34	394
			292	292	159	127	254	13	452	331	822	390	179
25 HP	3500	284TSC	12 3/4	12 3/4	7	5 1/2	9 1/2	17/32	18.29	13.53	35.00	16.09	483
			324	324	178	140	241	13	465	344	889	409	220
30 HP	3500	286TSC	12 3/4	12 3/4	7	5 1/2	11	17/32	18.29	13.53	35.00	16.09	505
			324	324	178	140	279	13	465	344	889	409	230
40 HP	3500	324TSC	14 1/2	14	8	6 1/4	10 1/2	21/32	20.47	15.21	40.36	17.09	619
			368	356	203	159	267	17	520	386	1025	434	281
50 HP	3500	326TSC	14 1/2	14	8	6 1/4	12	21/32	20.47	15.21	40.36	17.09	728
			368	356	203	159	305	17	520	386	1025	434	331
75 HP	3500	365TSC	17	15	9	7	12 1/4	21/32	21.10	15.21	42.59	18.09	728
			432	381	229	178	311	17	536	386	1082	460	331

## MATERIAL SPECIFICATIONS

PART NAME	STAINLESS STEEL
Casing, Cover & Impeller	316L Stainless
Stub Shaft	316L Stainless
Adapter	304 Stainless



**CSI** 417.831.1411  
csidesigns.com