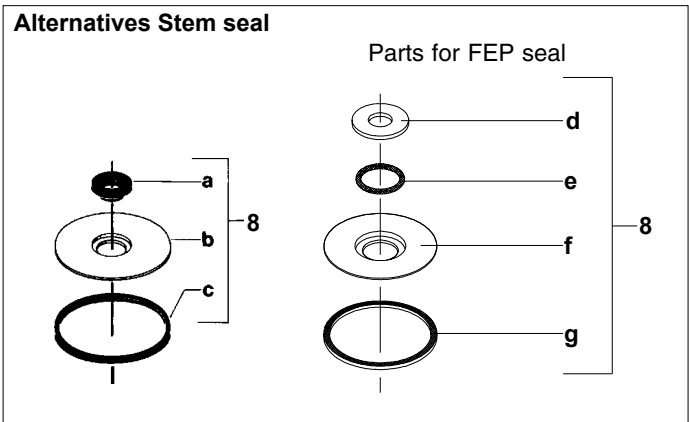
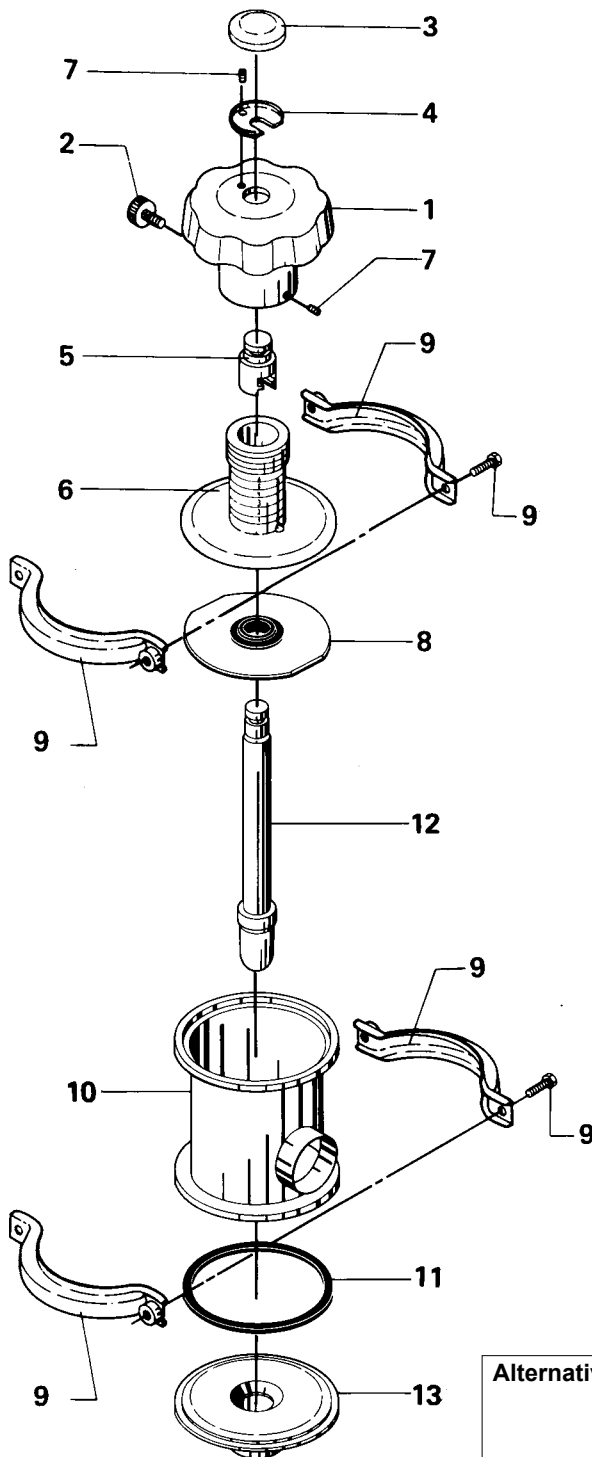


## Fine-adjustment Regulating Valve Type SMO-RF

2



# Fine-adjustment Regulating Valve Type SMO-RF

## Operating Mechanism

Pos.	Qty	Denomination	
	1	Operating mechanism complete .....	31353-0531-1
1	1	Hand wheel .....	31353-0528-1
2	1	Lock screw .....	31353-0529-1
3	1	Cap .....	31353-0468-1
4	1	Washer .....	31353-0467-1
5	1	Stem holder .....	31353-0466-1
6	1	Guide .....	31353-0459-1
7	2	Set screw .....	221581-92

## Lip seal

8 <sup>Δ</sup>	1	Lip seal, EPDM .....	31353-0155-1
	1	Lip seal, NBR .....	31353-0155-2
	1	Lip seal, FPM .....	31353-0155-3

## Clamp

9	2	Clamps and screws .....	31320-0027-1
---	---	-------------------------	--------------

## Valve body

10	1	Valve body .....	31353-0266-1
11 <sup>Δ</sup>	1	Packing, EPDM .....	31353-0128-1
	1	Packing, NBR .....	31353-0128-2
	1	Packing, FPM .....	31353-0128-3
	1	Packing, PTFE .....	31353-0451-1

## Valve Plug and Seat

12	1	Valve plug .....	31353-0546-1
13	1	Valve seat .....	31353-0272-2

<b>Δ</b>	<b>Service kit, EPDM .....</b>	<b>9611-92-0139</b>
<b>Δ</b>	<b>Service kit, NBR .....</b>	<b>9611-92-0140</b>
<b>Δ</b>	<b>Service kit, FPM .....</b>	<b>9611-92-0141</b>

Parts marked with <sup>Δ</sup> are included in the **service kits**.

## Alternatives

<b>Stem seal</b>			
8	1	Lip seal kit, EPDM (standard) .....	9611-92-0078
	1	Lip seal kit, NBR .....	9611-92-0079
	1	Lip seal kit, FPM .....	9611-92-0080
a●	1	Lip seal, EPDM .....	9612-2806-01
	1	Lip seal, NBR .....	9612-2806-02
	1	Lip seal, FPM .....	9612-2806-03
b	1	Plate .....	9612-2805-01
c●	1	Seal ring, EPDM .....	31353-0128-1
	1	Seal ring, NBR .....	31353-0128-2
	1	Seal ring, FPM .....	31353-0128-3
<b>Stem seal</b>			
8 d	1	Washer .....	31353-0452-1
e●	1	O-ring FEP/Silicone .....	9611-99-2909
f	1	Holder .....	31353-0453-1
g●	1	Valve body packing .....	31353-0451-1

## Service kits special lip seals (marked ●)

●	<b>Service kit EPDM .....</b>	<b>9611-92-0495</b>
●	<b>Service kit NBR .....</b>	<b>9611-92-0496</b>
●	<b>Service kit FPM .....</b>	<b>9611-92-0499</b>
●	<b>Service kit FEP .....</b>	<b>9611-92-0498</b>

Recommended spare parts: Pos. 3,7 and **Service Kit**.

